

646484-1 ✓ ACTIVE

Z-PACK | Z-PACK 2mm HM

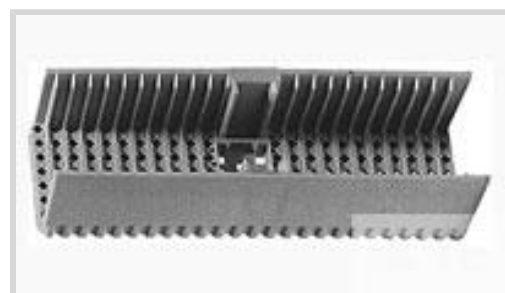
TE Internal #: 646484-1

Z-PACK 2mm HM, PCB Connector Shrouds, Shroud, Mating Alignment, 150 Position, 2mm [.079in] Centerline, Row-to-Row Spacing 2 mm [.079 in], 5 Row

[View on TE.com >](#)



Connectors > PCB Connectors > PCB Connector Accessories > Protection & Strain Relief > PCB Connector Shrouds



Connector Mounting Accessory Type: **Shroud**

Mating Alignment: **With**

Number of Positions: **150**

Centerline (Pitch): **2 mm [.079 in]**

Row-to-Row Spacing: **2 mm [.079 in]**

## Features

### Product Type Features

Connector Mounting Accessory Type	Shroud
Sealable	No

### Configuration Features

Number of Positions	150
Number of Rows	5
Number of Columns	22

### Body Features

Shroud Floor Thickness	3 mm[.118 in]
Shroud Color	Gray
Shroud Material	Glass Filled Polyester

### Contact Features

CompactPCI	Yes
------------	-----

### Mechanical Attachment

Mating Alignment Type	Polarization
Mating Alignment	With

### Housing Features

Centerline (Pitch)	2 mm[.079 in]
--------------------	---------------



### Dimensions

Accepts Module Length	43.9 mm[1.728 in]
Row-to-Row Spacing	2 mm[.079 in]
Product Length	43.9 mm[1.728 in]
Product Height	13.4 mm[.527 in]
Product Width	15.4 mm[.055 in]

### Usage Conditions

Compatible With Backplane Connector Type	Type A, Type B
Operating Temperature Range	-55 – 125 °C[-67 – 257 °F]

### Industry Standards

UL Flammability Rating	UL 94V-0
------------------------	----------

### Packaging Features

Packaging Method	Package
------------------	---------

### Product Compliance

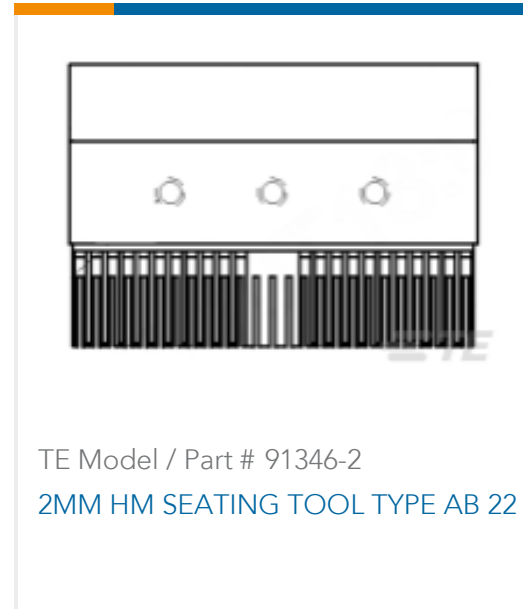
[For compliance documentation, visit the product page on TE.com>](#)

EU RoHS Directive 2011/65/EU	Compliant
EU ELV Directive 2000/53/EC	Compliant
China RoHS 2 Directive MIIT Order No 32, 2016	No Restricted Materials Above Threshold
EU REACH Regulation (EC) No. 1907/2006	Current ECHA Candidate List: JUN 2020 (209) Candidate List Declared Against: JAN 2020 (205) Does not contain REACH SVHC
Halogen Content	Not Low Halogen - contains Br or Cl > 900 ppm.
Solder Process Capability	Not applicable for solder process capability

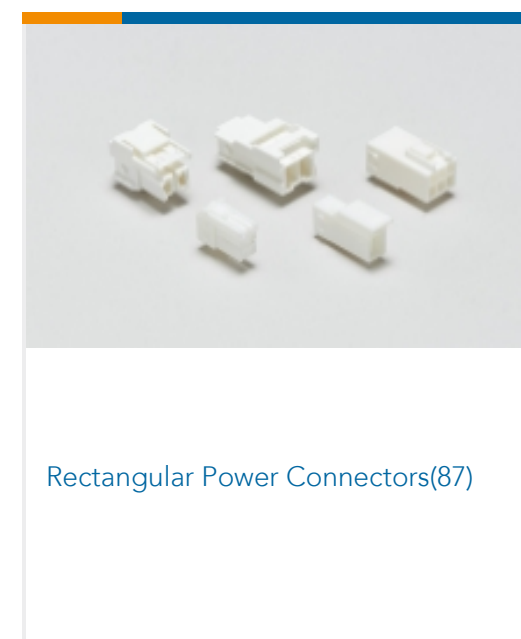
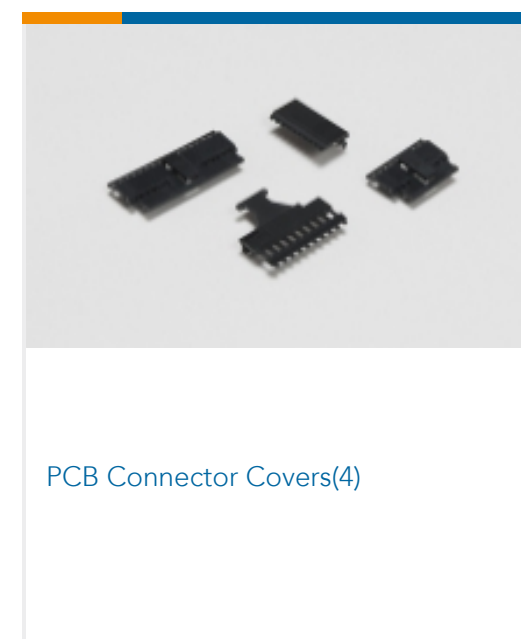
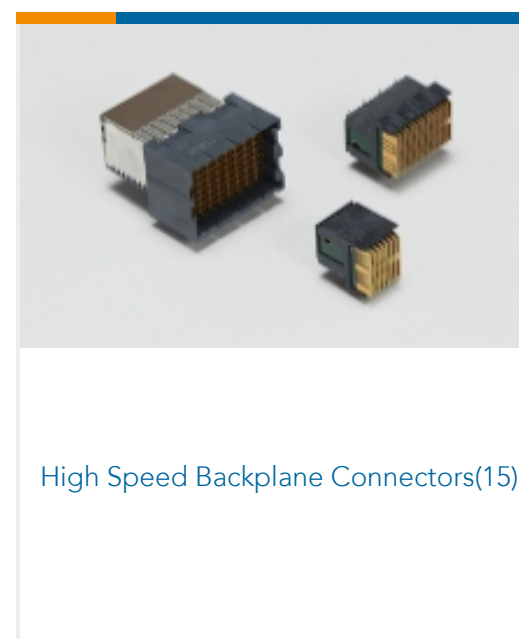
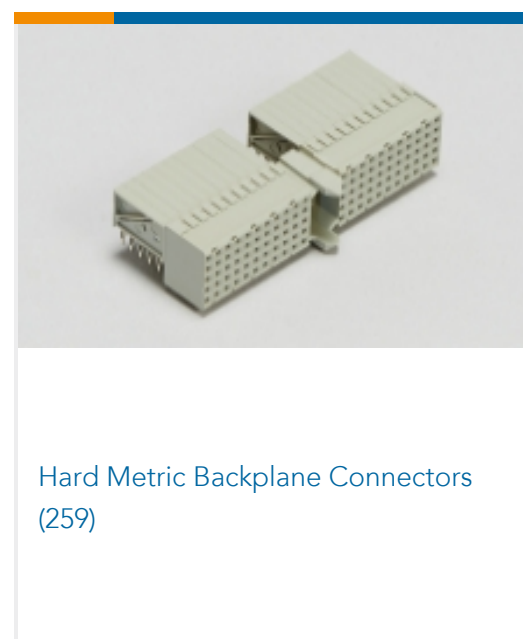
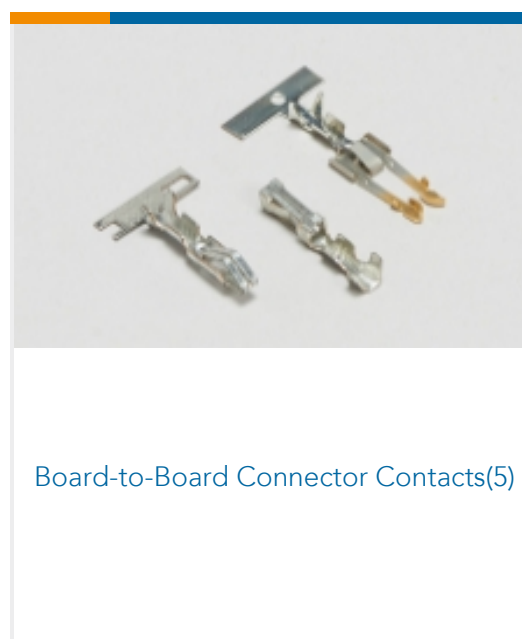
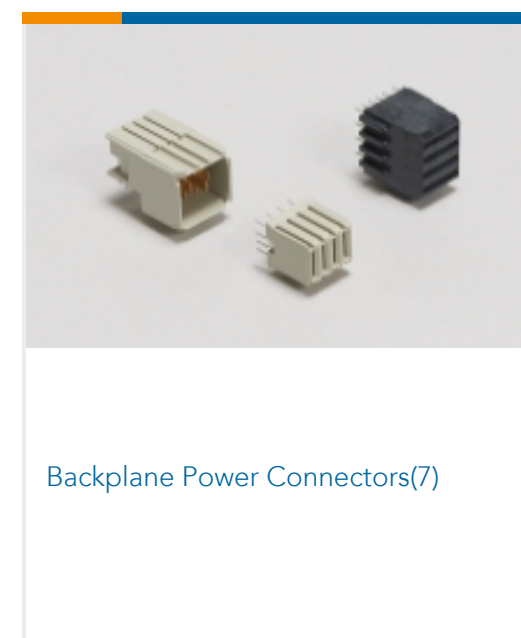
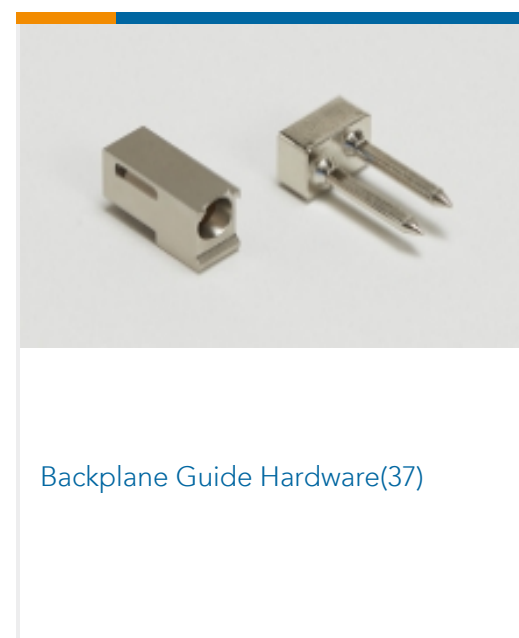
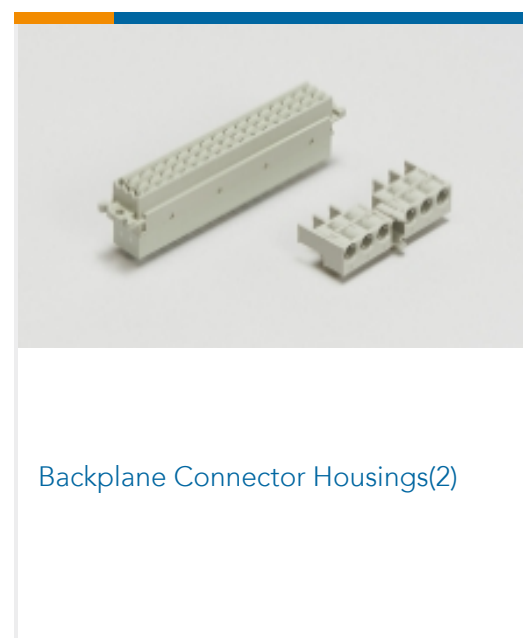
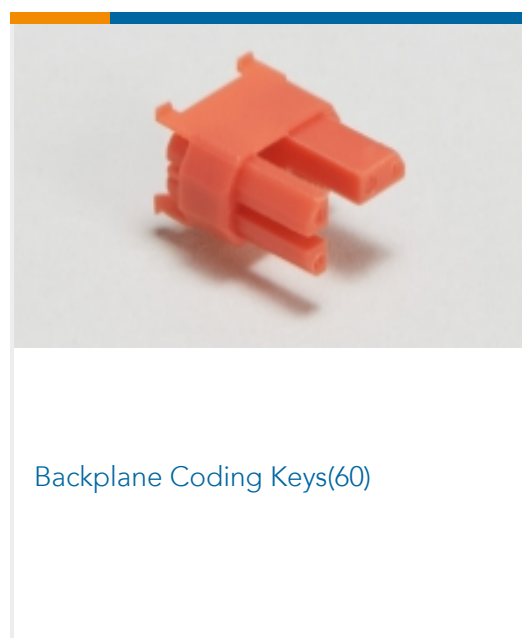
#### Product Compliance Disclaimer

This information is provided based on reasonable inquiry of our suppliers and represents our current actual knowledge based on the information they provided. This information is subject to change. The part numbers that TE has identified as EU RoHS compliant have a maximum concentration of 0.1% by weight in homogenous materials for lead, hexavalent chromium, mercury, PBB, PBDE, DBP, BBP, DEHP, DIBP, and 0.01% for cadmium, or qualify for an exemption to these limits as defined in the Annexes of Directive 2011/65/EU (RoHS2). Finished electrical and electronic equipment products will be CE marked as required by Directive 2011/65/EU. Components may not be CE marked. Additionally, the part numbers that TE has identified as EU ELV compliant have a maximum concentration of 0.1% by weight in homogenous materials for lead, hexavalent chromium, and mercury, and 0.01% for cadmium, or qualify for an exemption to these limits as defined in the Annexes of Directive 2000/53/EC (ELV). Regarding the REACH Regulation, the information TE provides on SVHC in articles for this part number is based on the latest European Chemicals Agency (ECHA) 'Guidance on requirements for substances in articles' posted at this URL: <https://echa.europa.eu/guidance-documents/guidance-on-reach>

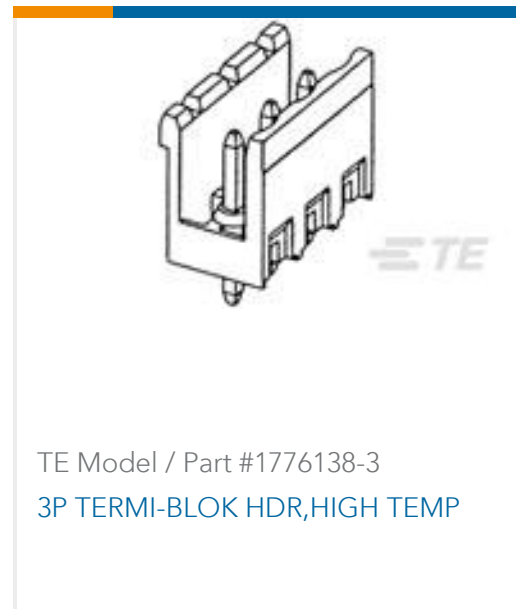
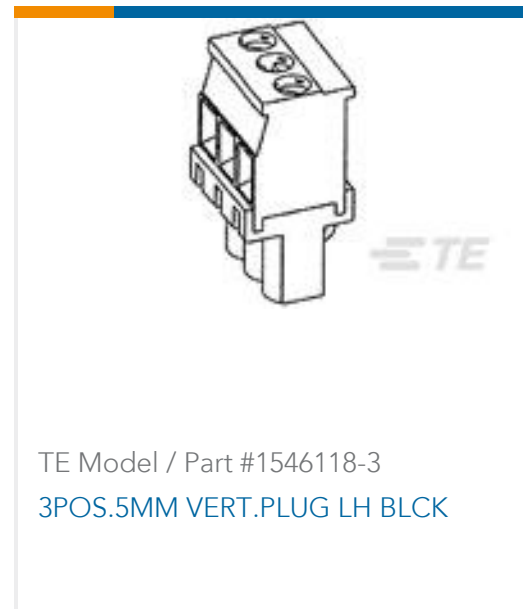
## Compatible Parts



## Also in the Series | Z-PACK 2mm HM



## Customers Also Bought



## Documents

### Product Drawings

[2MM H.M.,A/B-22 SHROUD 3.0MM](#)

English

### CAD Files

[3D PDF](#)

3D

Customer View Model

[ENG\\_CVM\\_CVM\\_646484-1\\_F.2d\\_dxf.zip](#)

English

Customer View Model

[ENG\\_CVM\\_CVM\\_646484-1\\_F.3d\\_igs.zip](#)

English

Customer View Model

[ENG\\_CVM\\_CVM\\_646484-1\\_F.3d\\_stp.zip](#)

English

By downloading the CAD file I accept and agree to the [Terms and Conditions](#) of use.

## Product Specifications



### Application Specification

English

---

### Product Environmental Compliance

#### TE Material Declaration

English