

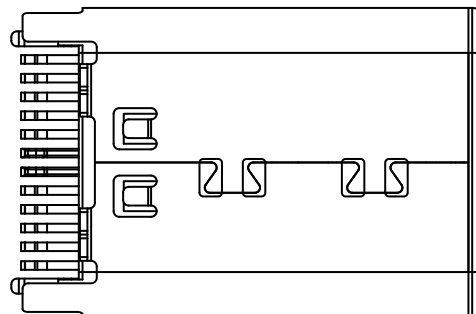
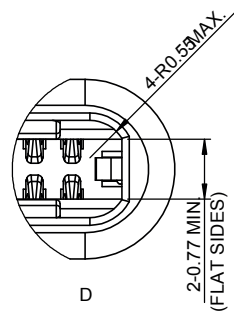
1

2

3

4

5



TECHNICAL CHARACTERISTICS

MATERIAL
 INSULATOR: LCP
 FLAMMABILITY RATING: UL94-V0
 COLOR: BLACK
 CONTACT MATERIAL: COPPER ALLOY
 CONTACT PLATING: 2µ" GOLD OVER 30µ" Pd-Ni
 COVER MATERIAL: STEEL
 COVER PLATING: Ni
 QUALITY CLASS: 10 000 MATING CYCLES

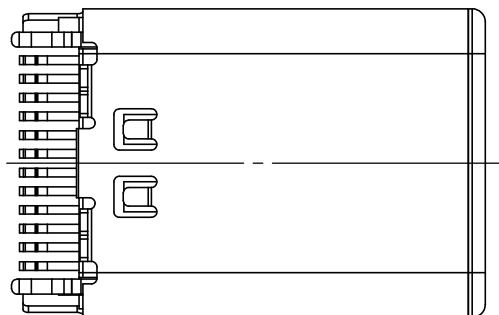
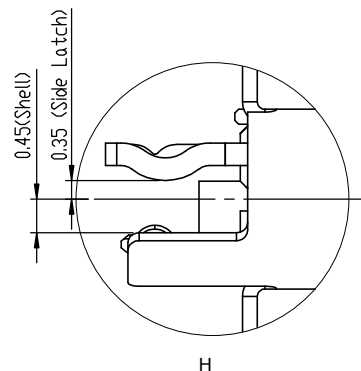
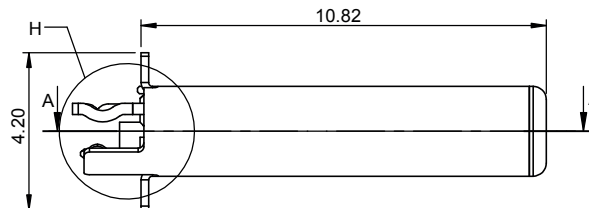
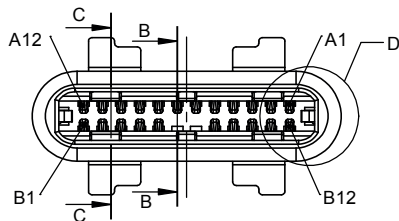
ENVIRONMENTAL
 OPERATING TEMPERATURE: -25°C UP TO +105°C
 COMPLIANCE: LEAD FREE & ROHS

ELECTRICAL
 CURRENT RATING: 3 A MAX
 WORKING VOLTAGE: 5 VDC
 WITHSTANDING VOLTAGE: 100 VAC/MIN
 INSULATION RESISTANCE: >1000 MΩ
 CONTACT RESISTANCE: 30 mΩ MAX

MECHANICAL
 INSERTION FORCE: 5-8 N MAX
 EXTRACTION FORCE: 8-20 N MIN

SOLDERING
 JEDEC LEAD FREE REFLOW SOLDERING PROCESS

PACKAGING
 TAPE & REEL WITH CAP



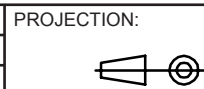
A

B

C

D

RoHS Compliant			
G			
F			
E			
D			
C			
B			
A	15-SEP-15	PDF	AK
REV	DATE	FILE	BY



GENERAL TOLERANCE
 .X = +/- 0.2
 .XX = +/- 0.15



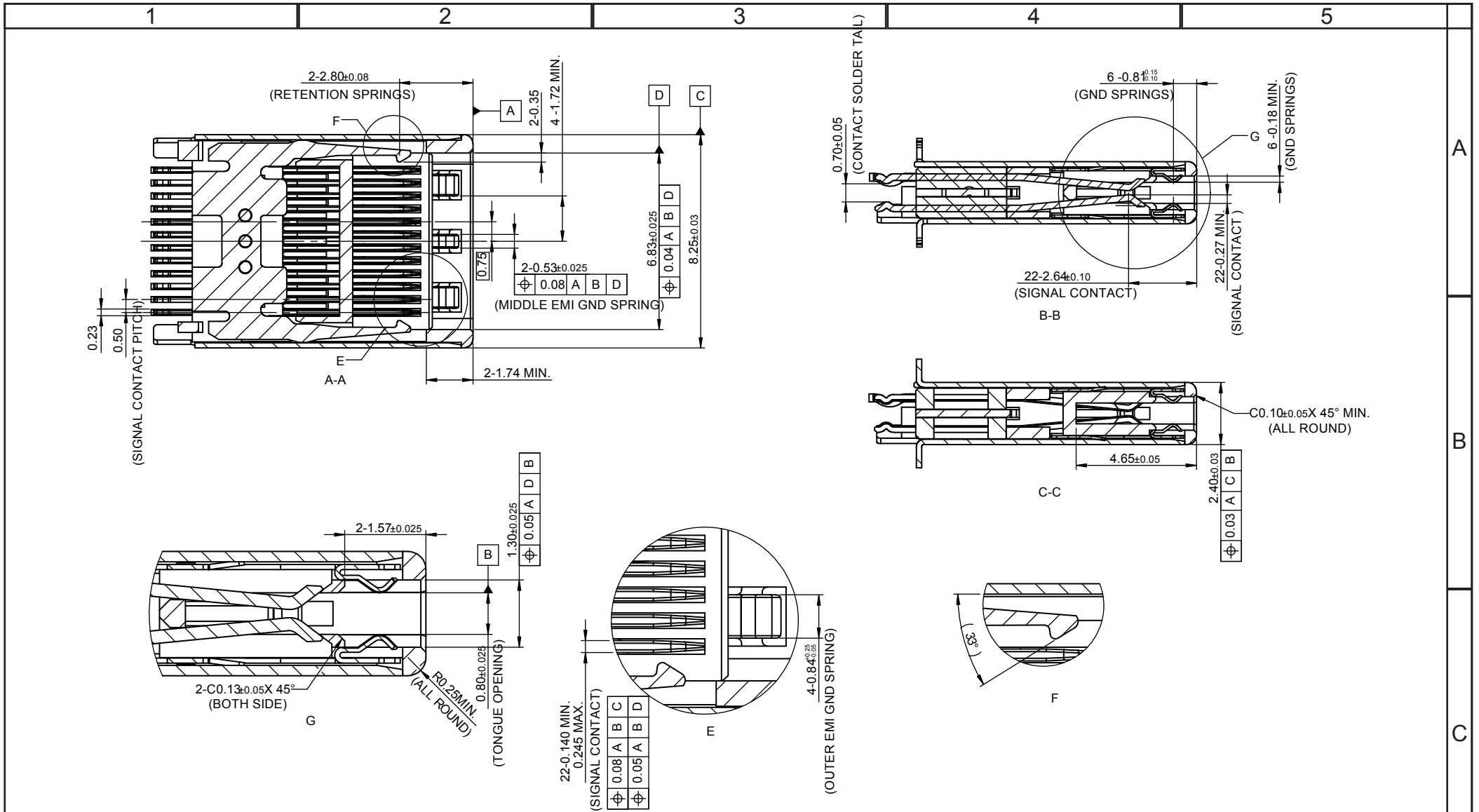
APPROVAL: NPr

UNIT: MM
 SCALE:
 SHEET: 1/5
 DRAW: AK

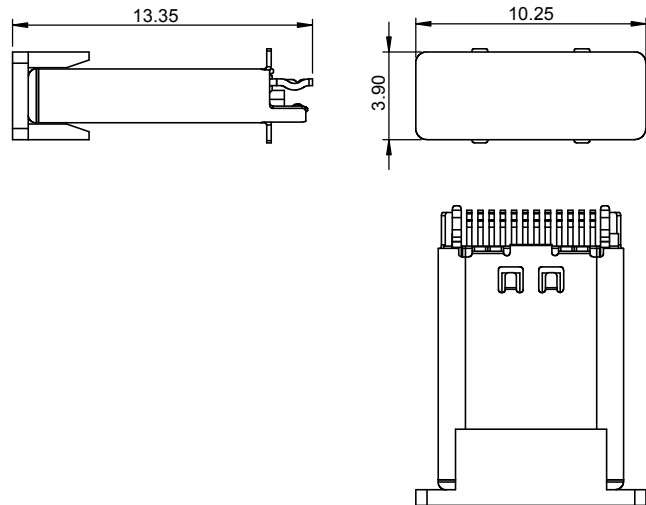
DESCRIPTION: USB 3.1 TYPE C PLUG - HORIZONTAL SMT

WERI PART NO: 632 712 000 021

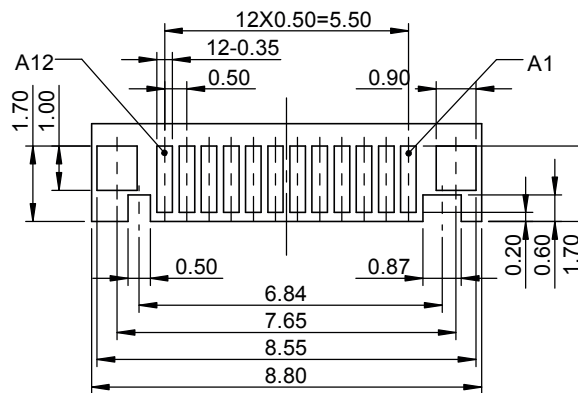
SIZE
A4



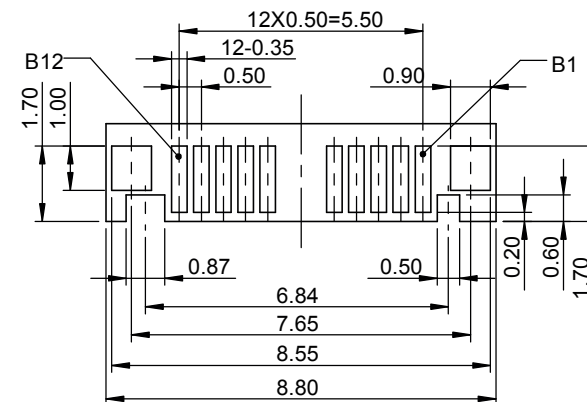
RoHS Compliant				PROJECTION: 	GENERAL TOLERANCE .X = +/- 0.2 .XX = +/- 0.15	 WÜRTH ELEKTRONIK
G						
F						
E						
D						
C			APPROVAL: NPR	UNIT: MM	DESCRIPTION: USB 3.1 TYPE C PLUG - HORIZONTAL SMT	SIZE
B				SCALE:	WERI PART NO: 632 712 000 021	A4
A				SHEET: 2/5		
REV	DATE	FILE	BY	DRAW: AK		



Pin Number	Signal Name	Pin Number	Signal Name
A1	GND	B12	GND
A2	SSTXp1	B11	SSRXp1
A3	SSTXn1	B10	SSRXn1
A4	VBUS	B9	VBUS
A5	CC1	B8	SBU2
A6	Dp1	B7	-
A7	Dn1	B6	-
A8	SBU1	B5	CC2
A9	VBUS	B4	VBUS
A10	SSRXn2	B3	SSTXn2
A11	SSRXp2	B2	SSTXp2
A12	GND	B1	GND



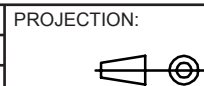
TOP SIDE



BOTTOM SIDE

PCB LAYOUT - COMPONENT VIEW
RECOMMENDED PCB THICKNESS : 0.80 mm

RoHS Compliant			
G			
F			
E			
D			
C			
B			
A			
REV	DATE	FILE	BY



APPROVAL: NPr

GENERAL TOLERANCE

.X = +/- 0.2
.XX = +/- 0.15



UNIT: MM

SCALE:

SHEET: 3/5

DRAW: AK

DESCRIPTION: USB 3.1 TYPE C PLUG - HORIZONTAL SMT

WERI PART NO: 632 712 000 021

SIZE

A4

1

2

3

4

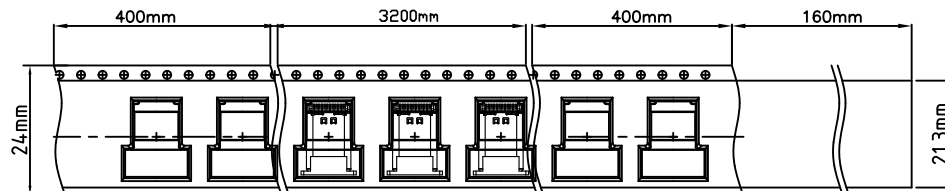
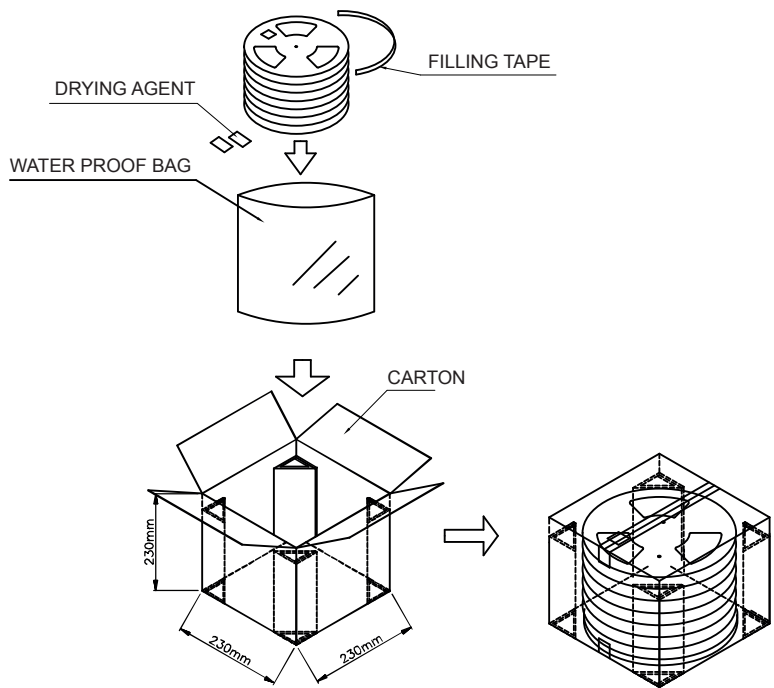
5

A

B

C

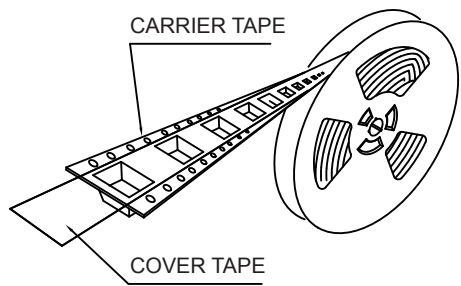
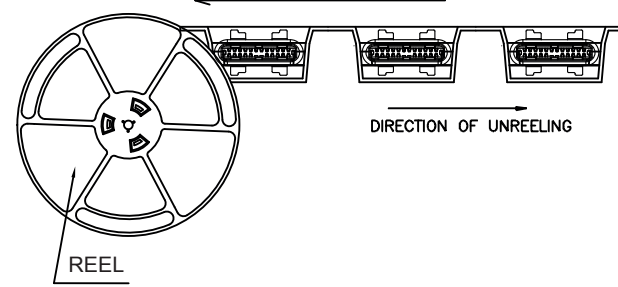
D



PACKING DIRECTION

PACKING DIRECTION

DIRECTION OF UNREELING



200 pcs/reel
 5 reels/carton
 1000 pcs/carton

RoHS Compliant			
G			
F			
E			
D			
C			
B			
A			
REV	DATE	FILE	BY

PROJECTION:

GENERAL TOLERANCE

.X = +/- 0.2

.XX = +/- 0.15



APPROVAL: NPr

UNIT: MM

SCALE:

SHEET: 4/5

DRAW: AK

DESCRIPTION: USB 3.1 TYPE C PLUG - HORIZONTAL SMT

WERI PART NO: 632 712 000 021

SIZE

A4

1

2

3

4

5

Cautions and Warnings:

This electronic component is designed and developed with the intention for use in general electronics equipments.

Before incorporating the components into any equipments in the field such as aerospace, aviation, nuclear control, submarine, transportation, (automotive control, train control, ship control), transportation signal, disaster prevention, medical, public information network etc. where higher safety and reliability are especially required or if there is possibility of direct damage or injury to human body, Würth Elektronik must be asked for a written approval.

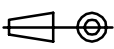

In addition, even electronic component in general electronic equipments, when used in electrical circuits that require high safety, reliability functions or performance, the sufficient reliability evaluation-check for the safety must be performed before by the user before usage.

A

B

C

RoHS Compliant

G				PROJECTION: 	GENERAL TOLERANCE .X = +/- 0.2 .XX = +/- 0.15		
F							
E							
D							
C				APPROVAL: JC	UNIT: MM	DESCRIPTION: DISCLAIMER	SIZE A4
B					SCALE:		
A	10-SEP-14	PDF	QL		SHEET: 5/5	WERI PART NO: DISCLAIMER	
REV	DATE	FILE	BY		DRAW: QL		

D