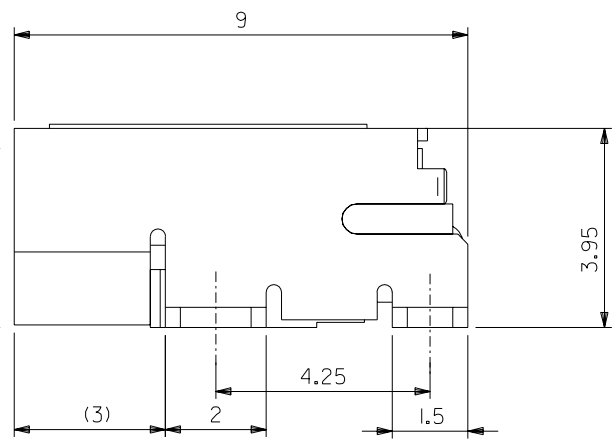
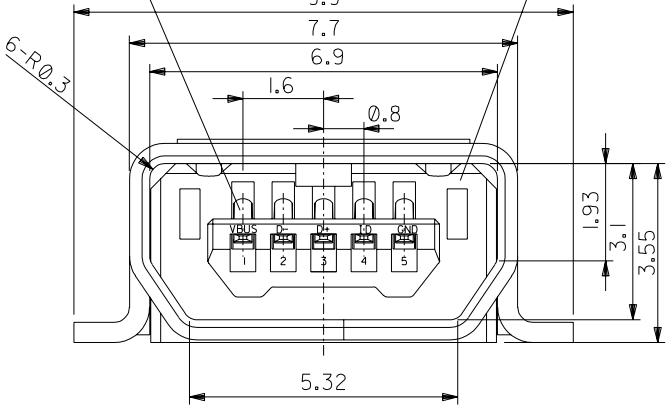
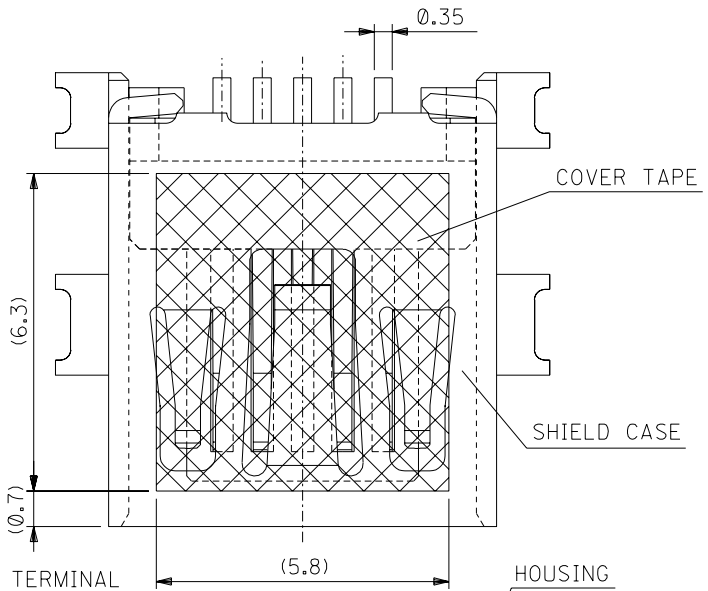
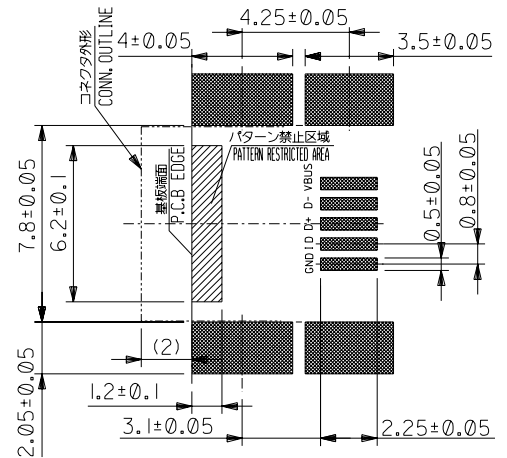


DWG. NO. SD-56579-015



注記 1. 材質  
 NOTES MATERIAL  
 ハウジング:ポリフタルアミド、ガラス充填、灰色、UL94V-0  
 HOUSING:POLYPHTHAL AMIDE GLASS FILLED,GRAY,UL94V-0  
 ターミナル:銅合金 (t=0.2)  
 TERMINAL:COPPER ALLOY(t=0.2)  
 シールド ケース:銅合金 (t=0.4)  
 SHIELD CASE:COPPER ALLOY(t=0.4)  
 カバーテープ:ポリイミド (t=0.08)  
 COVER TAPE:POLYIMIDE (t=0.08)

2. メッキ仕様  
 PLATING  
 ターミナル  
 TERMINAL  
 接点部:金メッキ 0.76μm MIN.  
 CONTACT AREA:GOLD 0.76MICRO METER MINIMUM.  
 半田付け部:錫メッキ 1.0μm MIN.  
 SOLDER TAIL AREA:TIN 1.0MICRO METER MINIMUM.  
 下地部:ニッケルメッキ 4.0μm MIN.  
 UNDER PLATING:NICKEL 4.0MICRO METER MINIMUM.  
 シールド ケース  
 SHIELD CASE  
 :錫メッキ 1.0μm MIN.  
 :TIN 1.0 MICRO METER MINIMUM.  
 下地部:ニッケルメッキ 4.0μm MIN.  
 UNDER PLATING:NICKEL 4.0 MICRO METER MINIMUM.  
 3. テール、ネール平坦度は0.1mm MAX.  
 TAIL,NAIL COPLANARITY 0.1mm MAX.  
 4. 本製品は56579-0571の鉛フリー品である。  
 THIS PRODUCT IS LEAD FREE OF 56579-0571.



推奨基板寸法 (部品実装側)  
 RECOMMENDED P.C.B. PATTERN LAYOUT (PART MOUNT SIDE)

DO NOT SCALE DRAWING

①64NO. DRWN: CH'K: APPR:		①63NO. DRWN: CH'K: APPR:		①62NO. DRWN: CH'K: APPR:		①61NO. DRWN: CH'K: APPR:		RELEASED ①60NO. J2004-4266 DRWN: M. NAGATA '04/05/17 CH'K: K. TOJO '04/05/17 APPR: M. SASAO '04/05/17		MATERIAL 材料 SEE NOTES		GENERAL TOLERANCES: (UNLESS SPECIFIED) 一般公差 ⑩ UNDER 未満 ±0.2 ⑩ OVER 以上 30 UNDER 未満 ±0.25 30 OVER 以上 ±0.3 WIRE RANGE 適用 被覆範囲 # ANGLE 角度 ±3°		SCALE 10:1 DESIGN UNITS <input checked="" type="checkbox"/> mm <input type="checkbox"/> INCH DRAWN BY & DATE M. NAGATA '04/05/17 CHECKED BY & DATE K. TOJO '04/05/17 APPROVED BY & DATE M. SASAO '04/05/17 CAD FILENAME SD-56579-015.S01		MODEL NO. 56579-0579 DIMENSIONS: <input type="checkbox"/> mm <input type="checkbox"/> INCH <input checked="" type="checkbox"/> mm ONLY SHOT REVISIONS: <input type="checkbox"/> mm <input type="checkbox"/> INCH <input checked="" type="checkbox"/> mm ONLY TITLE: USB SERIES MINI-AB REC. ASS'Y SMT -LEAD FREE- MOLEX MOLEX INCORPORATED		MATERIAL NO. 56579-0579 DRAWING NO. SD-56579-015 SHEET NO. 1 OF 2	
DO NOT SCALE DRAWING										7888 DRAWING CONTAINS INFORMATION THAT IS PROPRIETARY TO MOLEX INCORPORATED AND SHOULD NOT BE USED WITHOUT WRITTEN PERMISSION.									

DWG. NO. SD-56579-015

F

D

V

C

B

DO NOT SCALE DRAWING

8 7 6 5 4 3 2 1

F

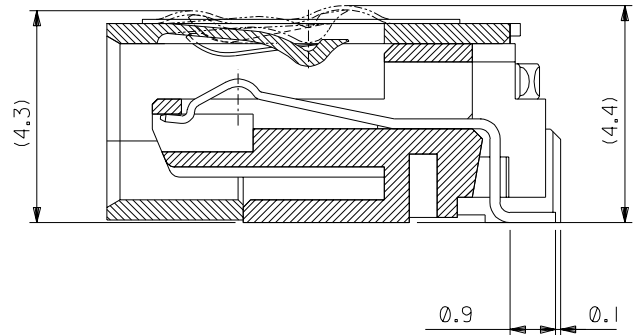
E

D

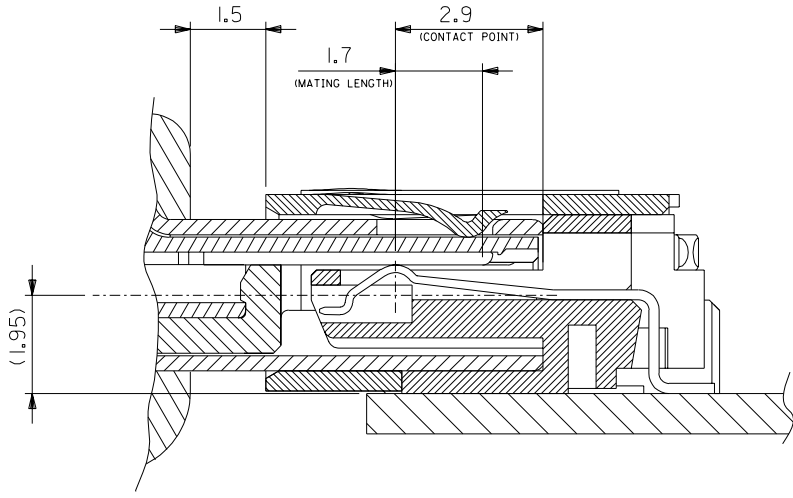
C

B

A



SECTION

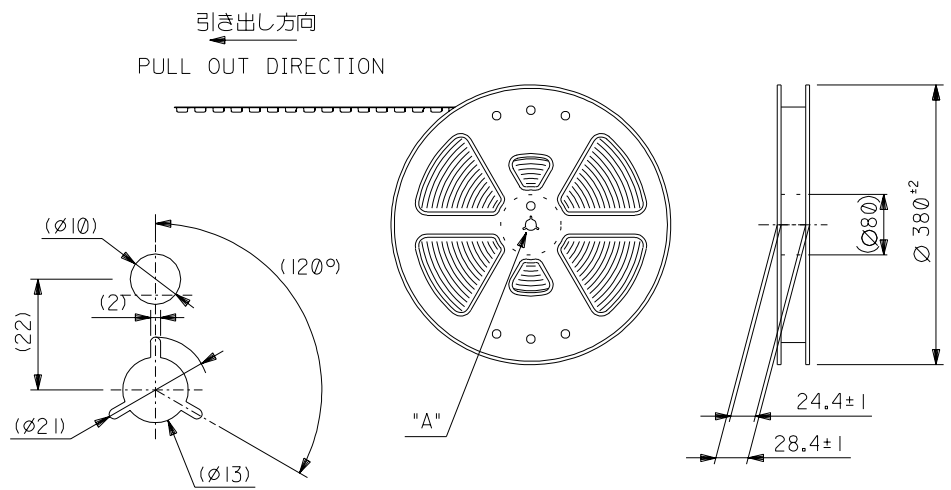


MATING

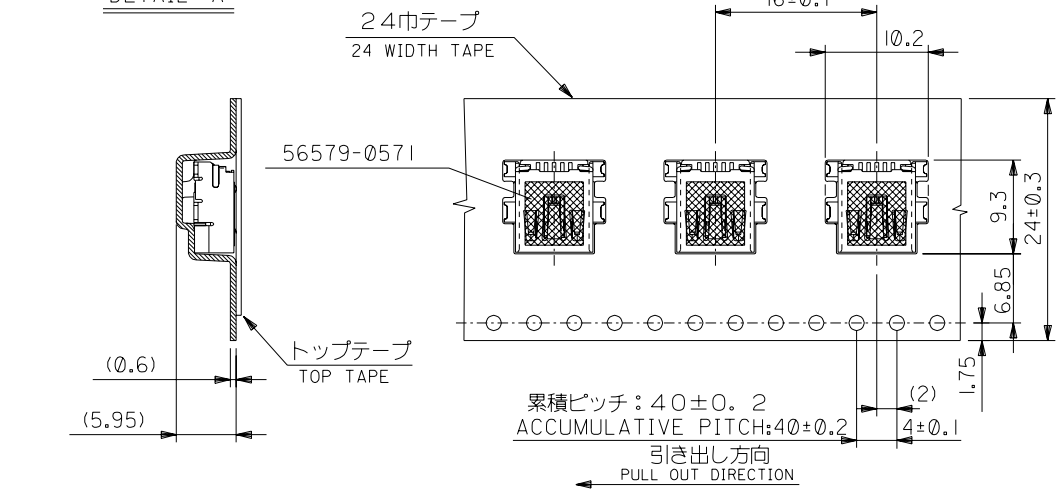
63 NO. DRWN: CH'K: APPR: 62 NO. DRWN: CH'K: APPR: 61 NO. DRWN: CH'K: APPR: 60 NO. DRWN: CH'K: APPR:		SEE SHEET 1	MATERIAL 材料 SEE NOTES	GENERAL TOLERANCES: (UNLESS SPECIFIED) 一般公差 10 UNDER 未満 ±0.2 10 OVER 30 UNDER 以上 未満 ±0.25 30 OVER 以上 ±0.3 ANGLE 角度 ±3°	SCALE 10:1 DESIGN UNITS <input checked="" type="checkbox"/> mm <input type="checkbox"/> INCH DRAWN BY & DATE M.NAGATA '04/05/17 CHECKED BY & DATE K.TOJO '04/05/17 APPROVED BY & DATE M.SASAO '04/05/17 CAD FILENAME SD-56579-015.S02	MODEL NO. 56579-0579 DIMENSIONS: <input type="checkbox"/> mm <input type="checkbox"/> INCH <input checked="" type="checkbox"/> mm ONLY SHT 2 OF 2 REV B OTHERWISE ON CAD ONLY	TITLE: USB SERIES MINI-AB REC. ASS'Y SMT -LEAD FREE- MOLEX INCORPORATED	MATERIAL NO. SEE CHART DRAWING NO. SD-56579-015 SHEET NO. 2 OF 2
FINISH 仕上り SEE NOTES			WIRE RANGE 適用電線範囲 #	INS. RANGE 被覆外径 #	THIS DRAWING CONTAINS INFORMATION THAT IS PROPRIETARY TO MOLEX INCORPORATED AND SHOULD NOT BE USED WITHOUT WRITTEN PERMISSION.			SIZE B

8 7 6 5 4 3 2 1 EN-02J(097) MXJ-54

DWG. NO. SD-56579-016



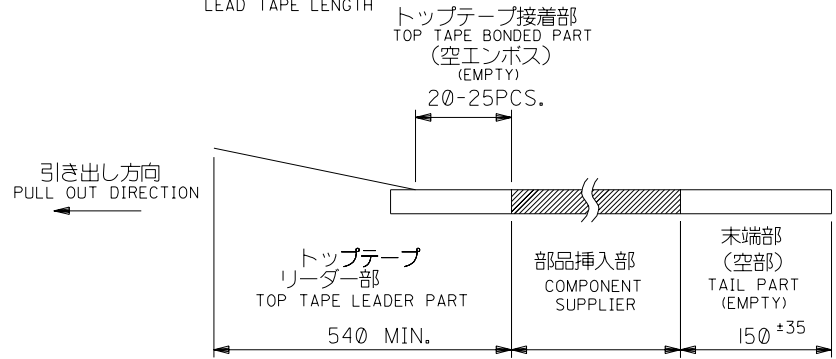
DETAIL "A"



エンボステープ内の製品の向き  
DIRECTION OF CONNECTOR IN EMBOSSED TAPE

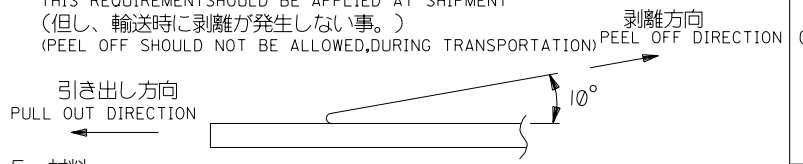
NOTES

- 56579-0579の詳細はSD-56579-015参照  
IN THE PACKAGE PART NO.56579-0579 DETAILED, SEE SD-56579-015.
- 梱包数量: 800 個/リール  
NUMBER OF CONNECTORS: 800 PCS/REEL
- リードテープ長さ  
LEAD TAPE LENGTH



- トップテープの剥離強度: 0.1~1.3N(10~130gf)  
(剥離方向は下図参照) キャリアテープ幅: 2.4mm  
CARRIER TAPE WIDTH

PEEL-OFF FORCE OF TOP TAPE: 0.1~1.3N(10~130gf)  
(PEELING DIRECTION AS SHOWN IN FOLLOWING FIG.)  
尚、本規格値は、出荷時に適用。  
THIS REQUIREMENT SHOULD BE APPLIED AT SHIPMENT  
(但し、輸送時に剥離が発生しない事。)  
(PEEL OFF SHOULD NOT BE ALLOWED, DURING TRANSPORTATION)



- 材料  
MATERIAL  
キャリアテープ: ポリプロピレン POLYSTYRE(N)PS  
CARRIER TAPE: POLYPROPYLENE  
トップテープ: ポリエステル, ポリエチレン  
TOP TAPE: POLYESTER, POLYETHYLENE  
リール: ポリスチレン <リサイクル材を含む>  
REEL: POLYSTYRENE <RECYCLE MATERIAL CONTAINED>

- 本製品は56579-0578の鉛フリー品である。  
THIS PRODUCT IS LEAD FREE OF 56579-0578.

56579-0576  
MATERIAL NO.

DO NOT SCALE DRAWING

64 NO. DRWN: CH'K: APPR:  63 NO. DRWN: CH'K: APPR:  62 NO. DRWN: CH'K: APPR:  61 NO. DRWN: CH'K: APPR:  60 NO. J2004-4266 DRWN: M.NAGATA '04/05/17 CH'K: K.TOJO '04/05/17 APPR: M.SASAO '04/05/17  0 REV	6 MATERIAL 材料 SEE NOTES  FINISH 仕上げ #  WIRE RANGE 適用電線範囲 #  INS. RANGE 被覆外径 #	4 GENERAL TOLERANCES: (UNLESS SPECIFIED) 一般公差 10 UNDER 未満 ±0.2 10 OVER 以上 30 UNDER 未満 ±0.25 30 OVER 以上 ±0.3  ANGLE 角度 ±3°	3 MODEL NO. 56579-0576 DESIGN UNITS <input checked="" type="checkbox"/> mm <input type="checkbox"/> INCH DRAWN BY & DATE M.NAGATA '04/05/17 CHECKED BY & DATE K.TOJO '04/05/17 APPROVED BY & DATE M.SASAO '04/05/17 CAD FILENAME SD-56579-016.S01	2 DIMENSIONS: <input type="checkbox"/> mm <input type="checkbox"/> INCH <input checked="" type="checkbox"/> mm ONLY SHT 1 OF 1 REV CAD ONLY TITLE: USB SERIES MINI-AB SMT REC. HS'G EMBOSSED ASS'Y -LEAD FREE- MOLEX INCORPORATED MATERIAL NO. SEE CHART DRAWING NO. SD-56579-016	1 SHEET NO. 1 OF 1 SIZE B
	RELEASED 04/05/17 04/05/17 04/05/17				
	EN-02J(097) MXJ-54				
	THIS DRAWING CONTAINS INFORMATION THAT IS PROPRIETARY TO MOLEX INCORPORATED AND SHOULD NOT BE USED WITHOUT WRITTEN PERMISSION.				