

Distributed by:

JAMECO[®]
ELECTRONICS

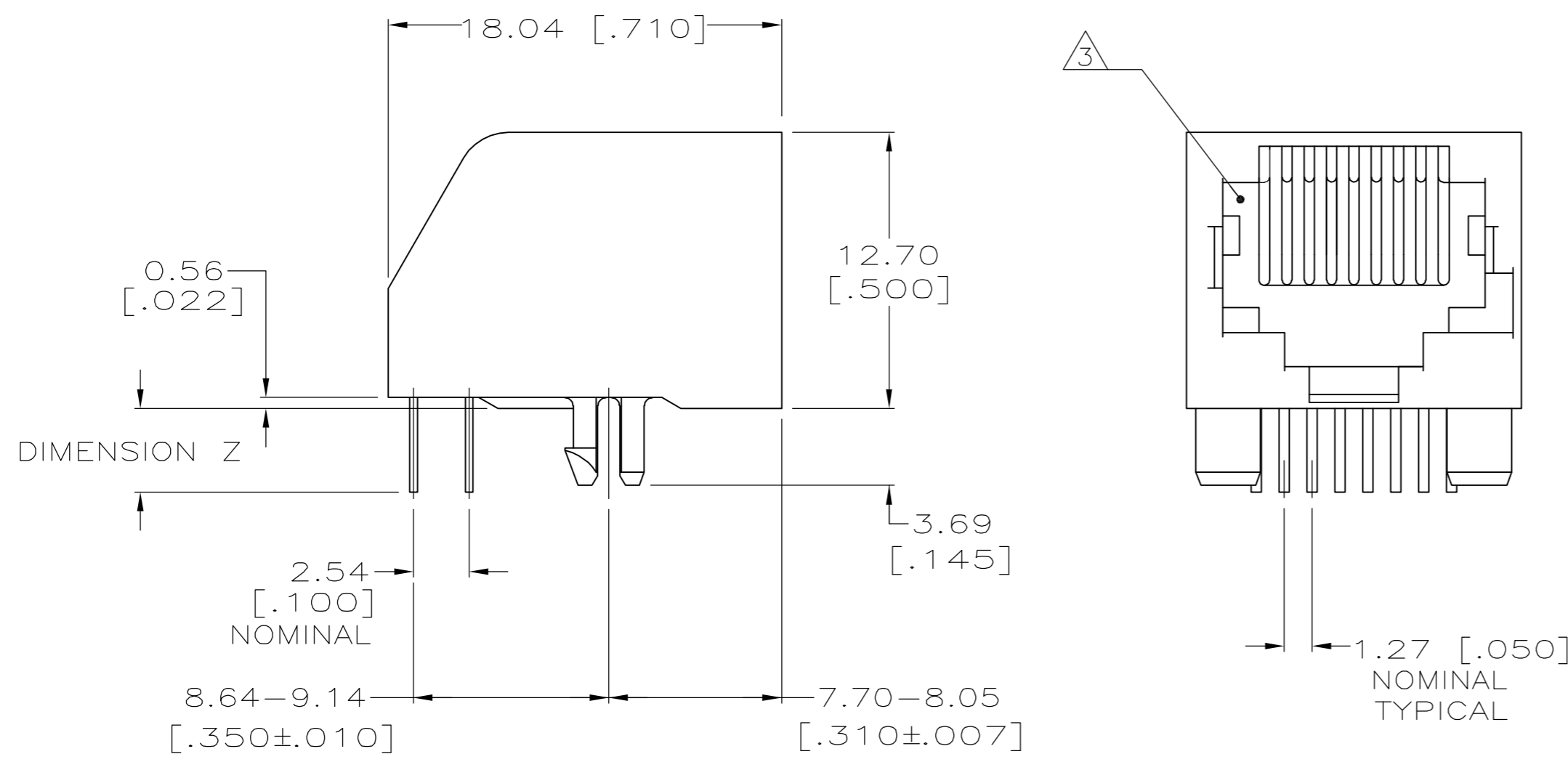
www.Jameco.com ♦ 1-800-831-4242

The content and copyrights of the attached
material are the property of its owner.

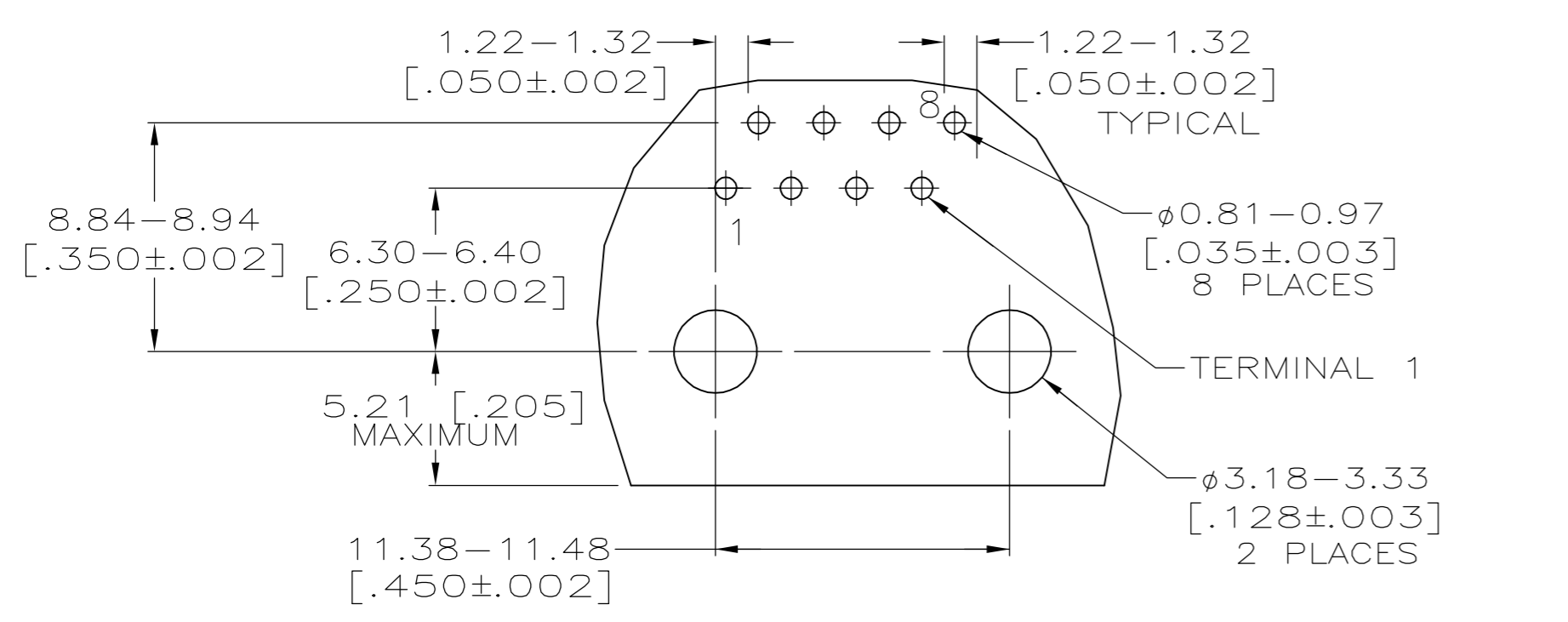
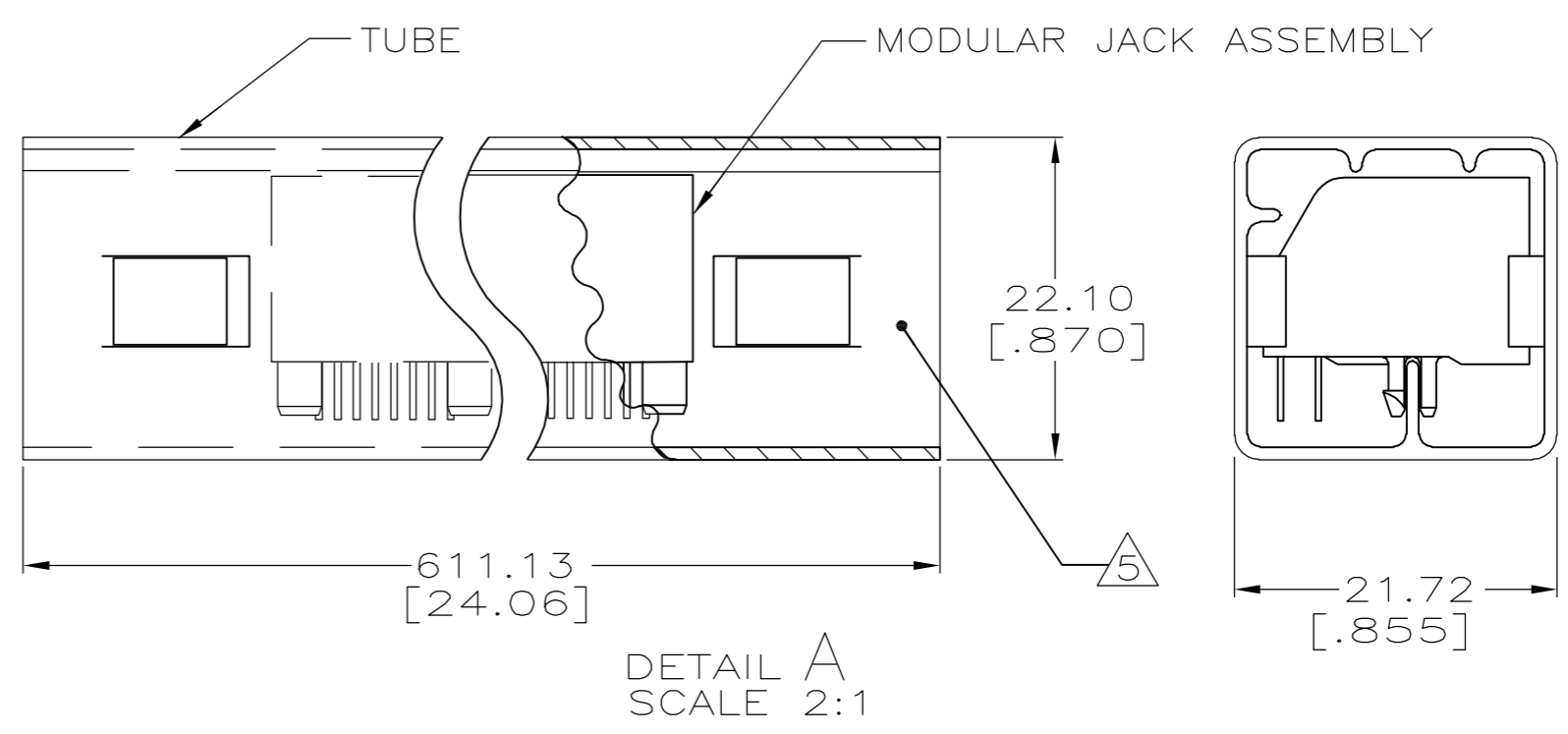
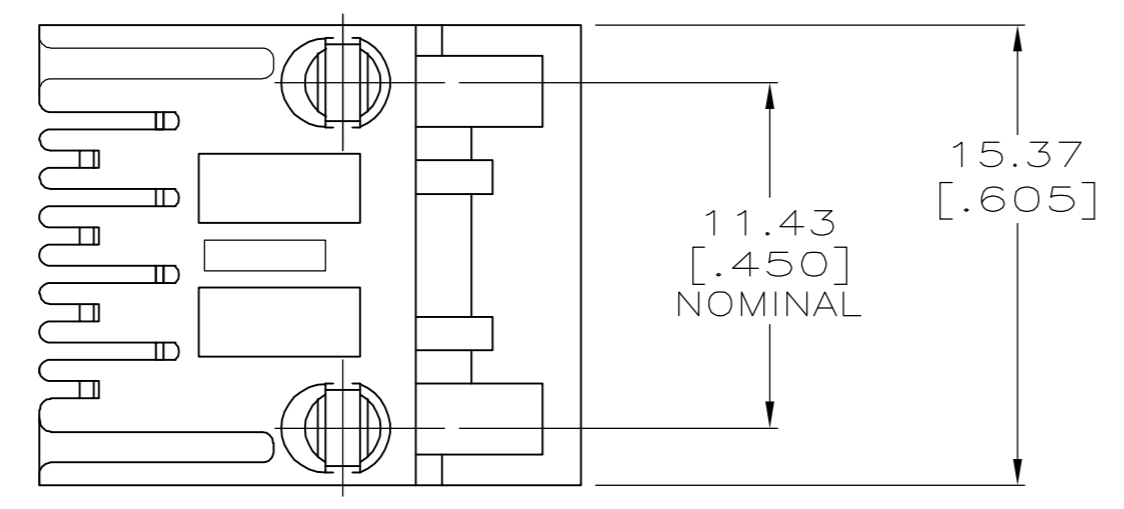
Jameco Part Number 754929

THIS DRAWING IS UNPUBLISHED. RELEASED FOR PUBLICATION
 © COPYRIGHT BY TYCO ELECTRONICS CORPORATION. ALL RIGHTS RESERVED.

LOC		DIST		REVISIONS			
P	LTR	DESCRIPTION	DATE	DWN	APVD		
GP	00	REV PER EC 0S11-0201-04	08JUN2005	GA	SF		



- ① DIMENSIONS ARE MAXIMUM UNLESS OTHERWISE SPECIFIED.
- ② MATERIAL: HOUSING - PBT POLYESTER, BLACK.
TERMINAL - PHOS-BRONZE PLATED WITH 1.27µm [.000050] MINIMUM THICK HARD GOLD IN LOCALIZED GOLD PLATE AREA AND 3.81µm [.000150] MINIMUM THICK MATTE TIN IN SOLDER AREA OVER 1.27µm [.000050] MINIMUM THICK NICKEL UNDERPLATE.
- ③ CAVITY CONFORMS TO FCC RULES AND REGULATIONS PART 68, SUBPART F.
- ④ BULK PACKAGED IN A TRAY.
- ⑤ PACKAGED 36 ASSEMBLIES PER TUBE WITH BOTH ENDS CRIMPED. SEE DETAIL A.



SUGGESTED PRINTED CIRCUIT BOARD LAYOUT
COMPONENT SIDE

⑤	8	2.80±0.25 [.110±.010]	5555167-4
④	8	3.81±0.51 [.15±.02]	5555167-1
PACKAGED	TERMINALS	DIMENSION Z	PART NUMBER

THIS DRAWING IS A CONTROLLED DOCUMENT.		DWN G. ATTADIA - DOCK5 08JUN2005	Tyco Electronics Corporation Harrisburg, Pa 17105-3608	
DIMENSIONS: mm[INCHES]		CHK J. WESTMAN 08JUN2005		
TOLERANCES UNLESS OTHERWISE SPECIFIED:		APVD S. FLICKINGER 08JUN2005	NAME	
0 PLC ± -	①	PRODUCT SPEC	MODULAR JACK ASSEMBLY 8 POSITION, LOW PROFILE, RIGHT ANGLE, KEYED, WITHOUT PANEL STOPS	
1 PLC ± -		APPLICATION SPEC	SIZE	CAGE CODE
2 PLC ± -		108-1163	A2	00779
3 PLC ± -		114-2048	DRAWING NO	RESTRICTED TO
4 PLC ± -			C=5555167	-
ANGLES ± -		WEIGHT	SCALE	SHEET
FINISH ②		-	4:1	1 OF 1
MATERIAL ②		CUSTOMER DRAWING	REV	A