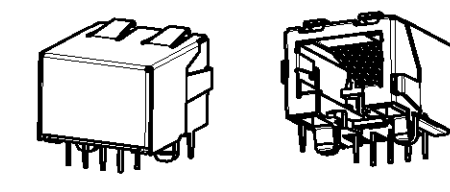
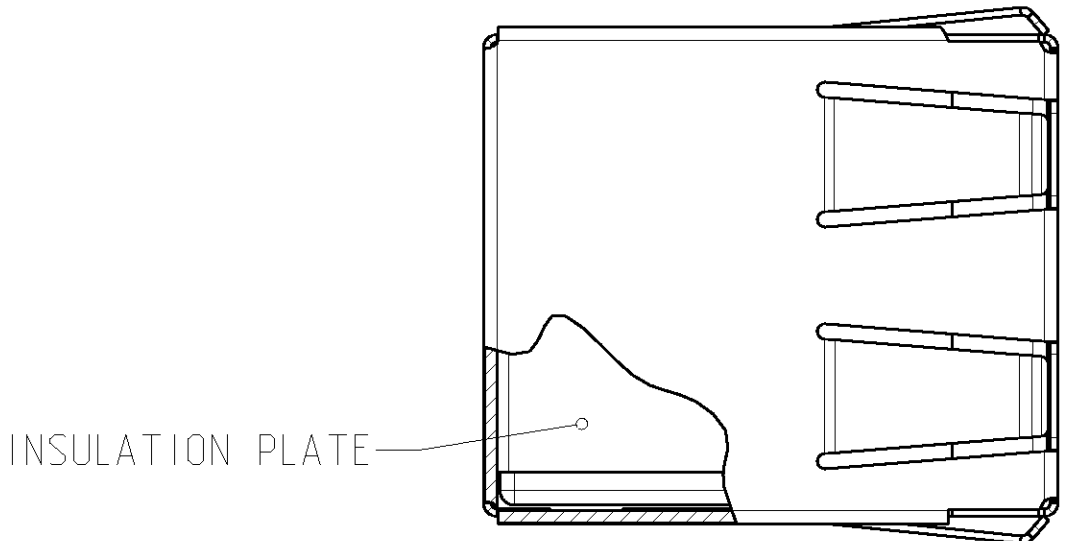
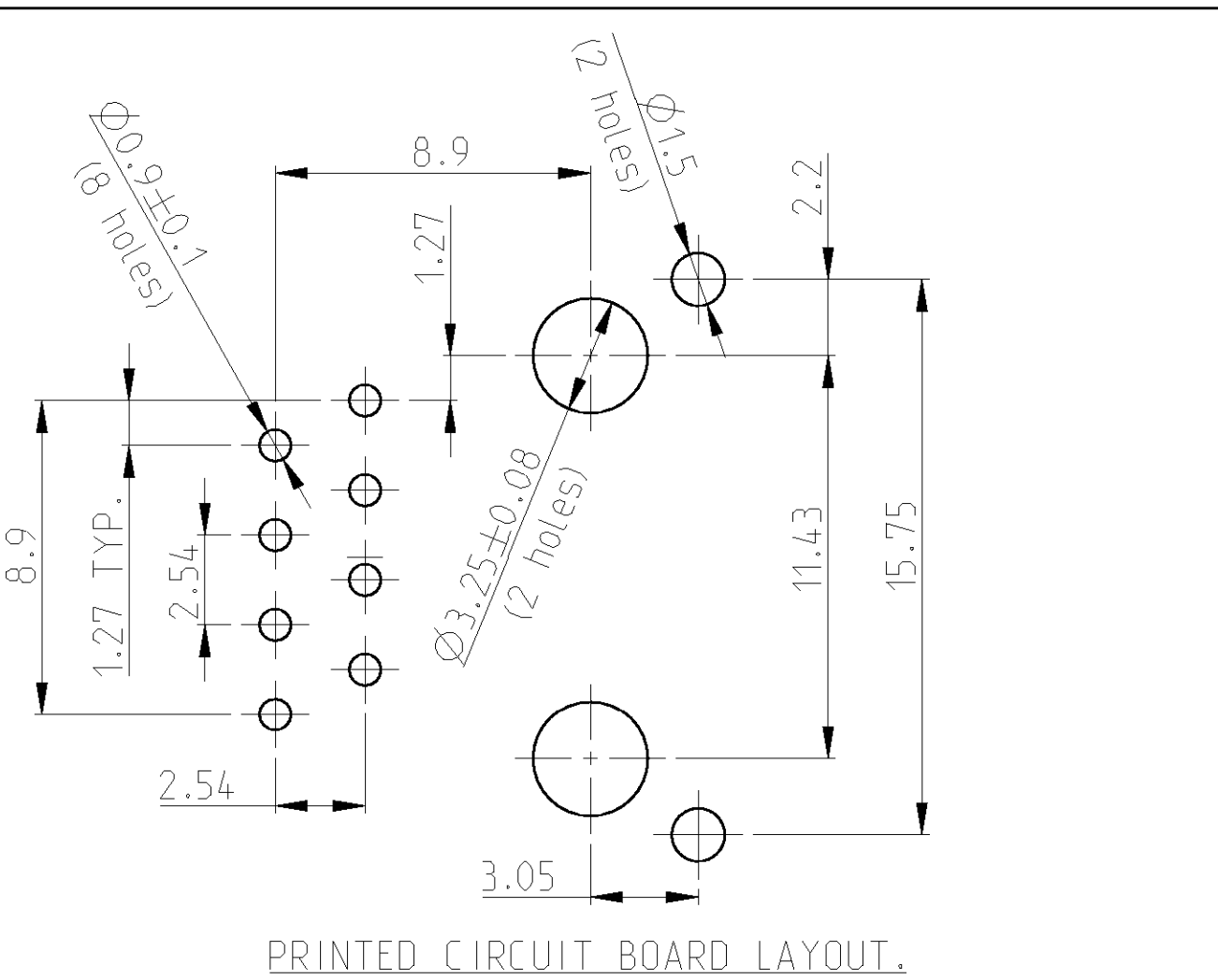
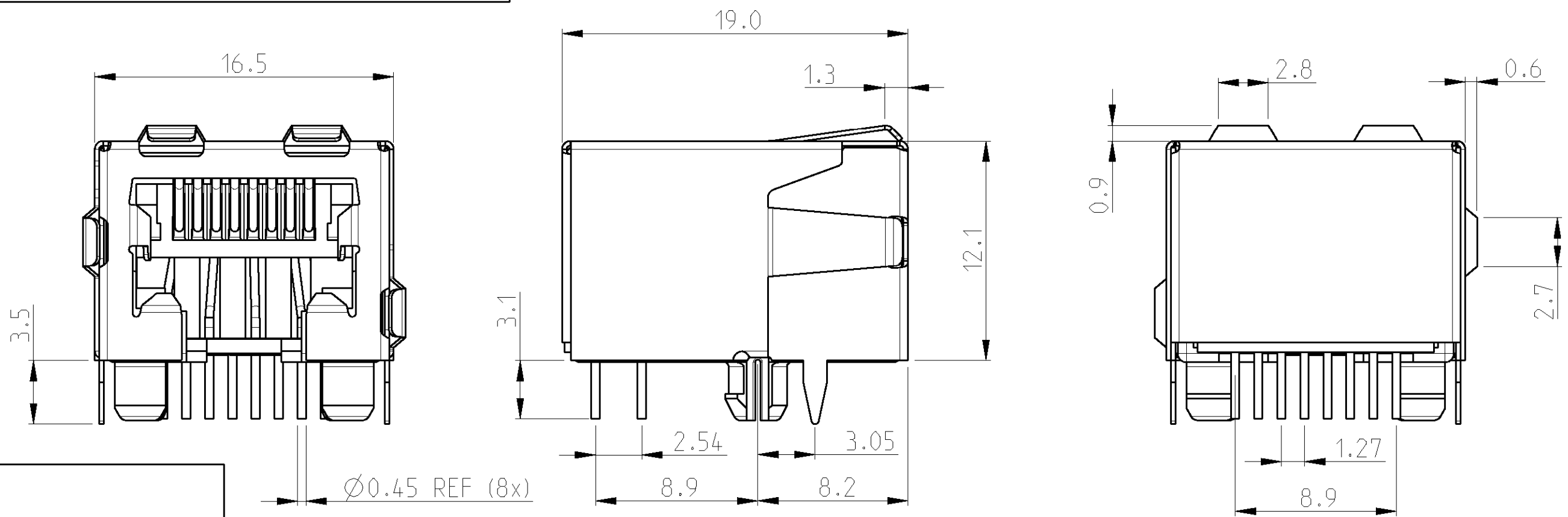
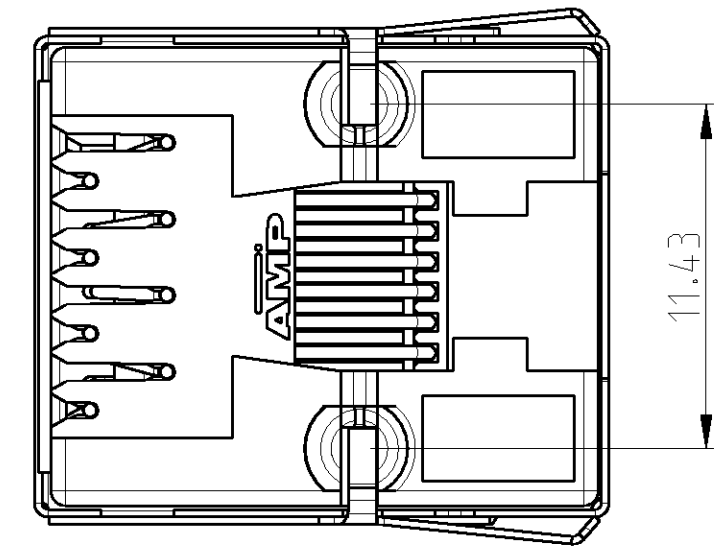
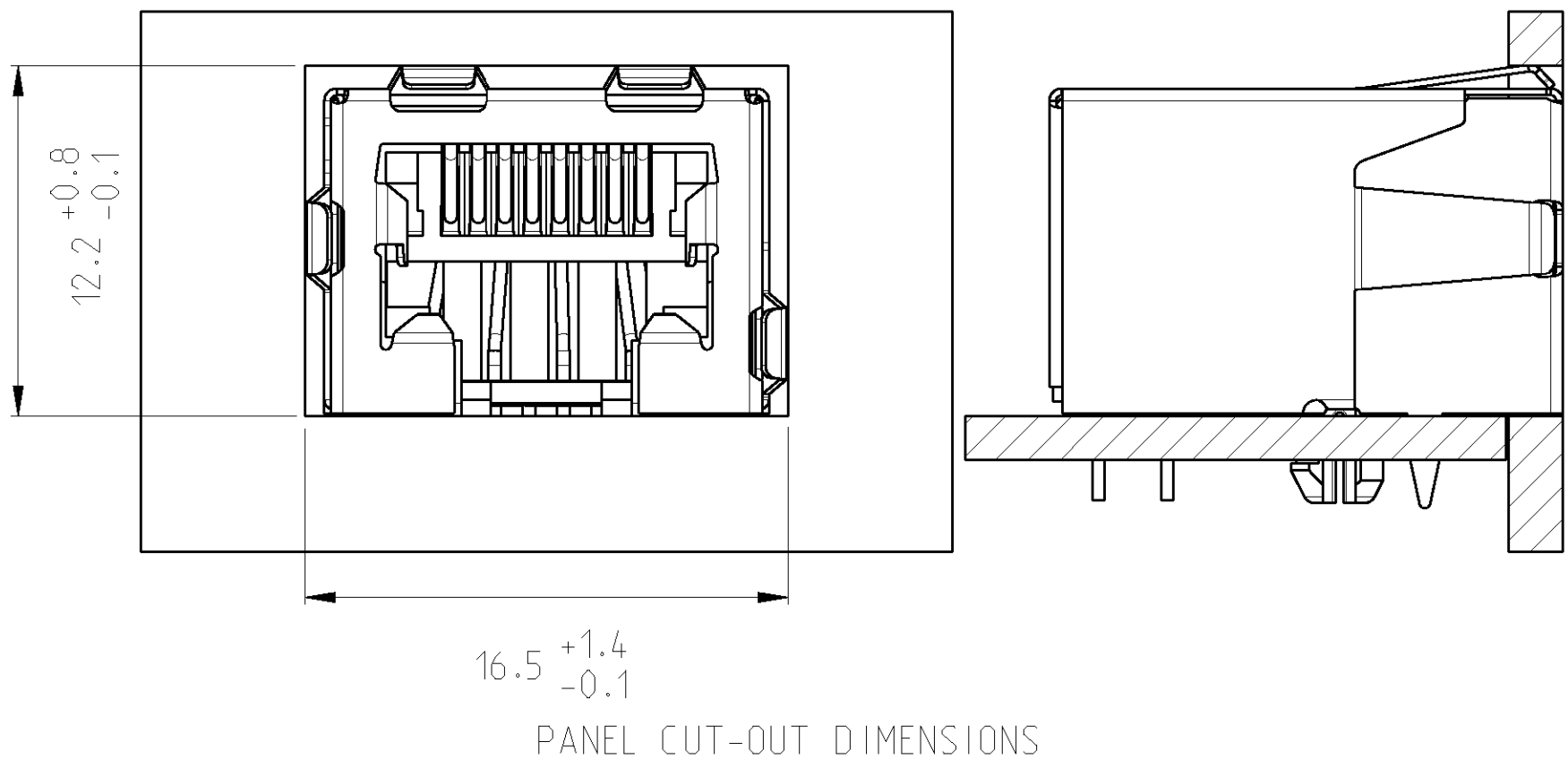


THIS DRAWING IS UNPUBLISHED. RELEASED FOR PUBLICATION 2000
 © COPYRIGHT 2000 BY TYCO ELECTRONICS CORPORATION. ALL RIGHTS RESERVED.

| LOC | DIST | REVISIONS | | | |
|-----|------|--------------|---------|-----|------|
| P | LTR | DESCRIPTION | DATE | DWN | APVD |
| H | - | | | | |
| | A | EH10-0268-05 | 25FEB05 | PW | JB |



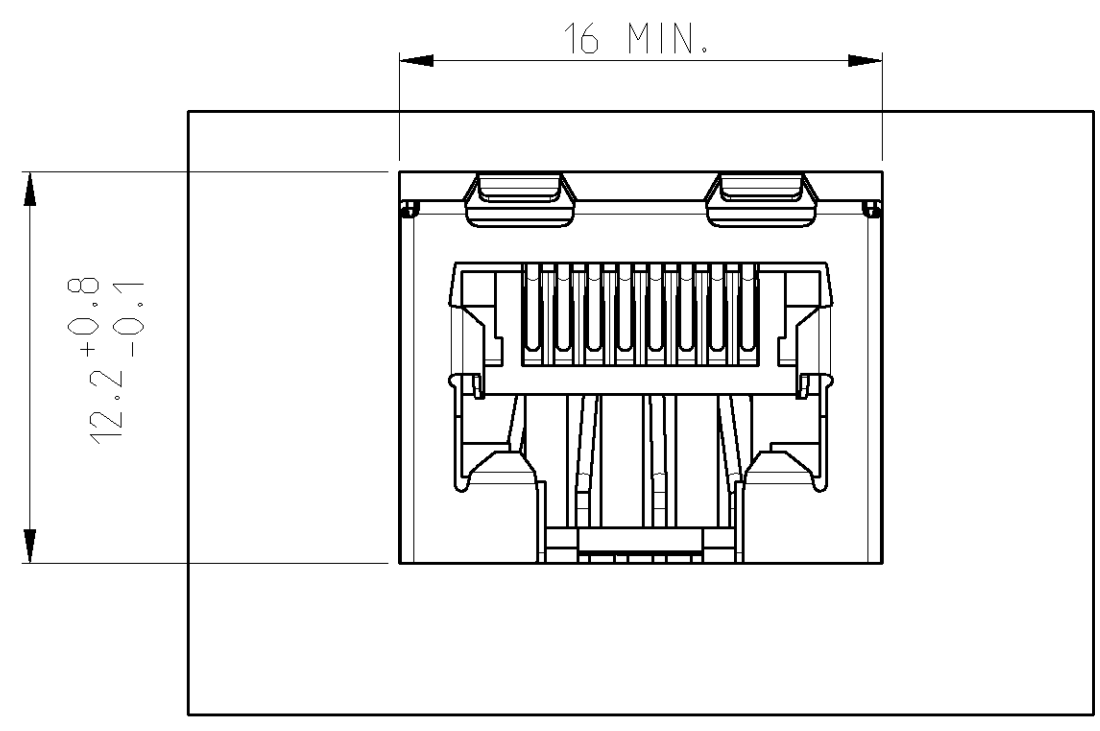
SCALE: 1:1

| | | | | |
|-------------------------------------|-------------------|--|--|-------------|
| PACKAGED 190 PIECES IN A TRAY | 8 POS. 8 CONT. | IN CONTACT AREA: 1.2 µm MIN. SEL. GOLD OVER 1.2 µm MIN. NICKEL | HOUSING: PBT UL 94 V-0 BLACK | 2-5338556-1 |
| | | SOLDER TINES: 2.5 µm MIN. TIN OVER 1.2 µm NICKEL | CONTACTS: PHOSPHOR BRONZE | |
| | | | SHIELD: PHOSPHOR BRONZE PRE-PLATED (BRIGHT TIN) | |
| PACKAGING | REMARKS | DESCRIPTION | MATERIAL | P/N |

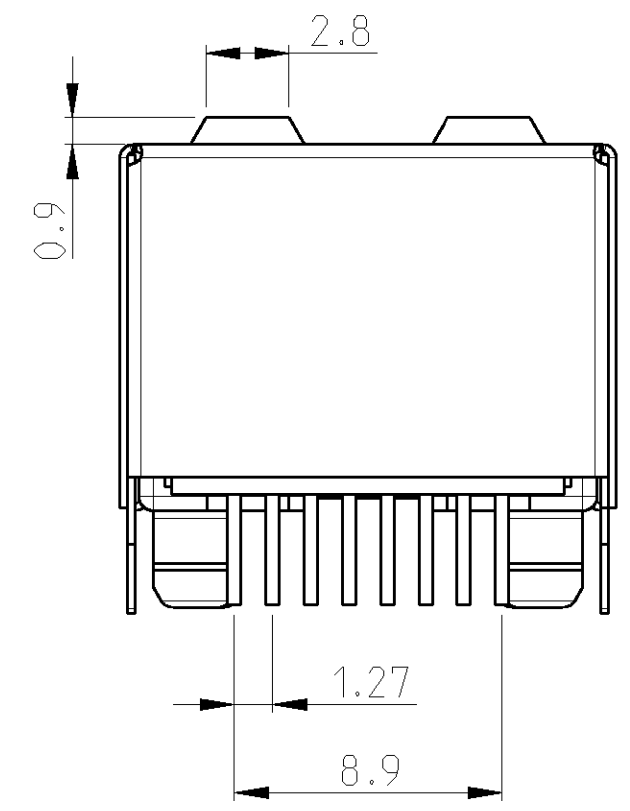
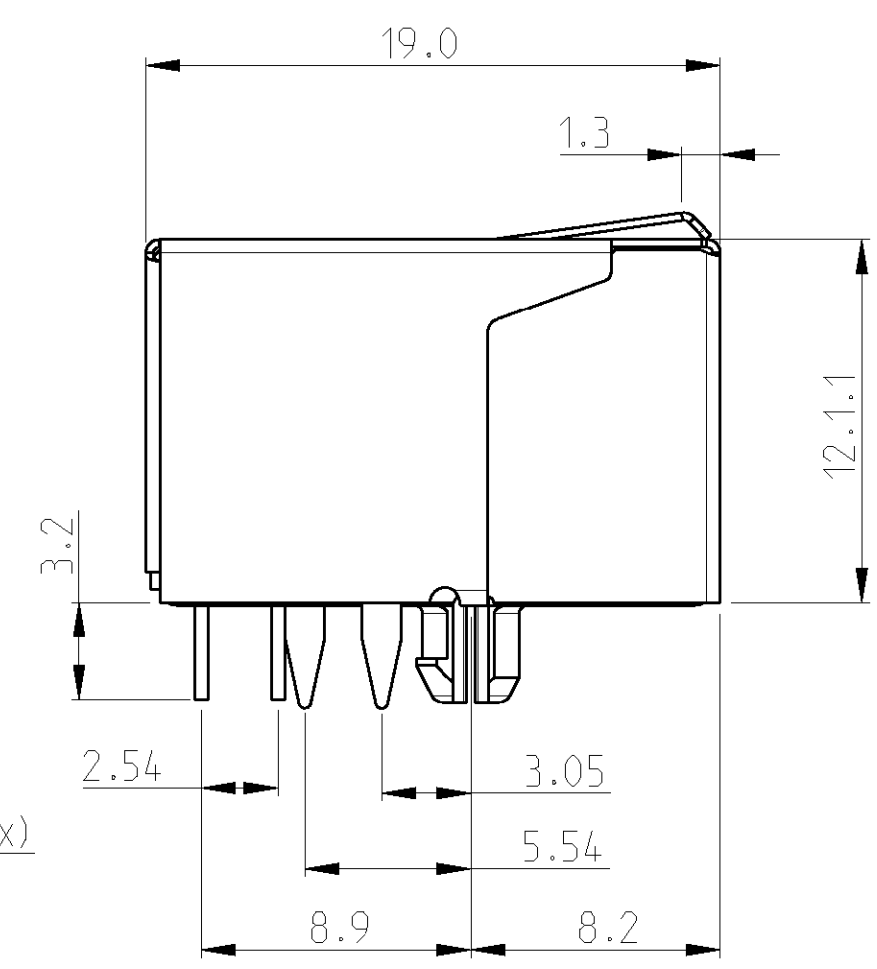
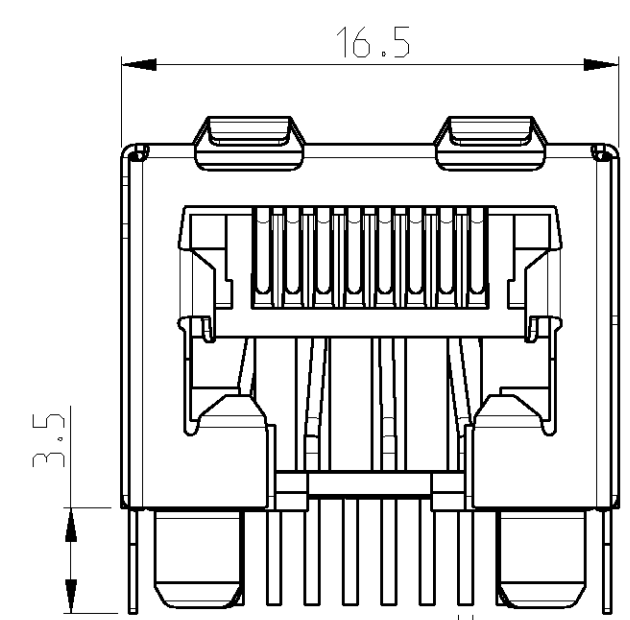
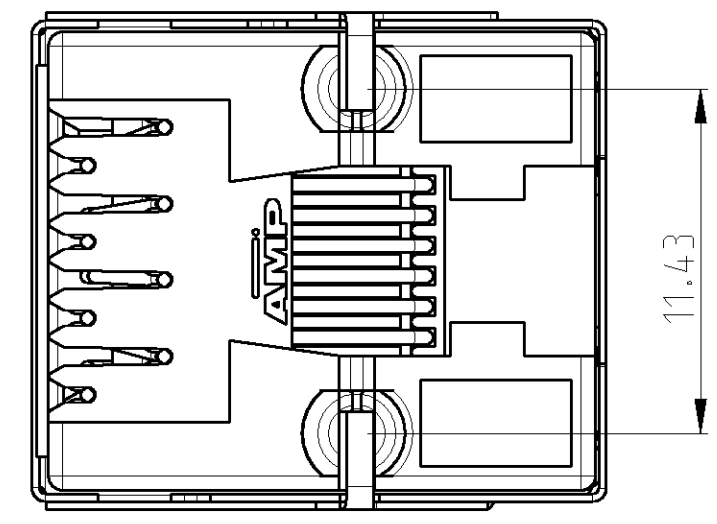
| | | | |
|---|---|--|--|
| <small>THIS DRAWING IS A CONTROLLED DOCUMENT FOR TYCO ELECTRONICS CORPORATION IT IS SUBJECT TO CHANGE AND THE CONTROLLING ENGINEERING ORGANIZATION SHOULD BE CONTACTED FOR THE LATEST REVISION.</small> | | DWN P.Willems 25-Feb-05 CHK P.Groels 25-Feb-05 APVD J.Broeksteeg 25-Feb-05 | tyco Electronics Tyco Electronics 's-Hertogenbosch, Holland |
| DIMENSIONS: mm | TOLERANCES UNLESS OTHERWISE SPECIFIED: 0 PLC ±0.15 1 PLC ±0.15 2 PLC ±0.15 3 PLC ±0.15 4 PLC ±0.15 ANGLES ±0°30' | PRODUCT SPEC 108-19064 APPLICATION SPEC 114-19019 | NAME 8 pos. Modular Jack Side Entry fully shielded with insulation plate |
| MATERIAL | FINISH | WEIGHT | SIZE A2 CAGE CODE 00779 DRAWING NO. C=5338556 RESTRICTED TO |
| CUSTOMER DRAWING | | SCALE 4:1 | SHEET 1 OF 2 REV A |

THIS DRAWING IS UNPUBLISHED. RELEASED FOR PUBLICATION 2000
 © COPYRIGHT 2000 BY TYCO ELECTRONICS CORPORATION. ALL RIGHTS RESERVED.

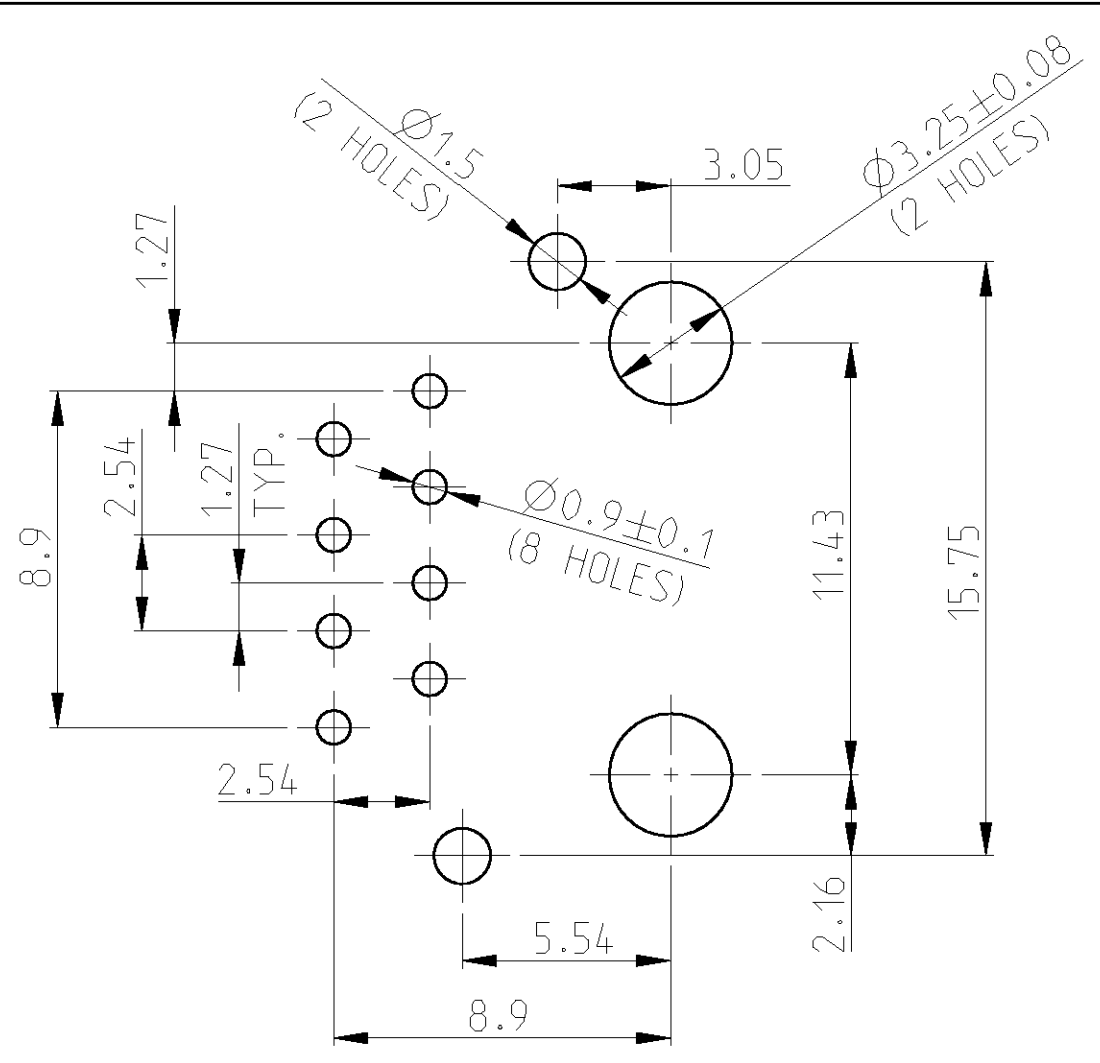
| LOC | DIST | REVISIONS | | | |
|-----|------|-------------|------|-----|------|
| P | LTR | DESCRIPTION | DATE | DWN | APVD |
| GW | - | SEE SHEET 1 | - | - | - |



PANEL CUT-OUT DIMENSIONS

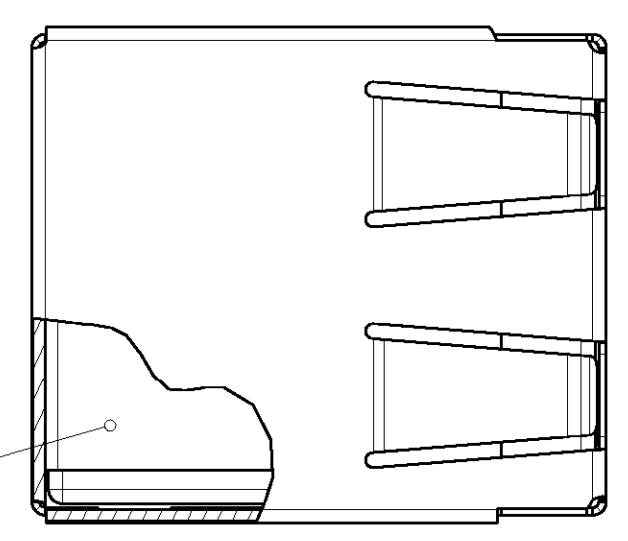


Ø0.45 REF (8x)



PRINTED CIRCUIT BOARD LAYOUT.

(VIEW SHOWN IS CIRCUIT (NONCOMPONENT) SIDE OF BOARD.)
 PRINTED CIRCUIT BOARD THICKNESS: 1.6 mm NOMINAL.
 TOLERANCE UNLESS OTHERWISE SPECIFIED: ± 0.15 mm.



INSULATION PLATE

| PACKAGING | REMARKS | DESCRIPTION | MATERIAL | P/N |
|---|-------------------|--|---|--------------------|
| PACKAGED 190 PIECES IN A TRAY | 8 POS. 8 CONT. | IN CONTACT AREA: 1.2 µm MIN. SEL. GOLD OVER 1.2 µm MIN. NICKEL SOLDER TINES: 2.5 µm MIN. TIN OVER 1.2 µm NICKEL | HOUSING: PBT UL 94V-0 BLACK CONTACTS: PHOSPHOR BRONZE SHIELD: PHOSPHOR BRONZE PRE-PLATED BRIGHT TIN | 3-5338556-1 |
| <small>THIS DRAWING IS A CONTROLLED DOCUMENT FOR TYCO ELECTRONICS CORPORATION IT IS SUBJECT TO CHANGE AND THE CONTROLLING ENGINEERING ORGANIZATION SHOULD BE CONTACTED FOR THE LATEST REVISION.</small> | | DWN P.Willems 25-Feb-05 CHK P.Groels 25-Feb-05 APVD J.Broeksteeg 25-Feb-05 | tyco Tyco Electronics Electronics 's-Hertogenbosch, Holland | |
| DIMENSIONS: mm | | TOLERANCES UNLESS OTHERWISE SPECIFIED: 0 PLC ±0.15 1 PLC ±0.15 2 PLC ±0.15 3 PLC ± 4 PLC ± ANGLES ±0°30' | NAME 8 pos. Modular Jack Side Entry fully shielded with insulation plate | |
| MATERIAL - | | FINISH - PRODUCT SPEC 108-19064 APPLICATION SPEC 114-19019 WEIGHT - | SIZE A2 CAGE CODE 00779 DRAWING NO. 5338556 RESTRICTED TO - | |
| CUSTOMER DRAWING | | | SCALE 4:1 | SHEET 2 OF 2 REV A |