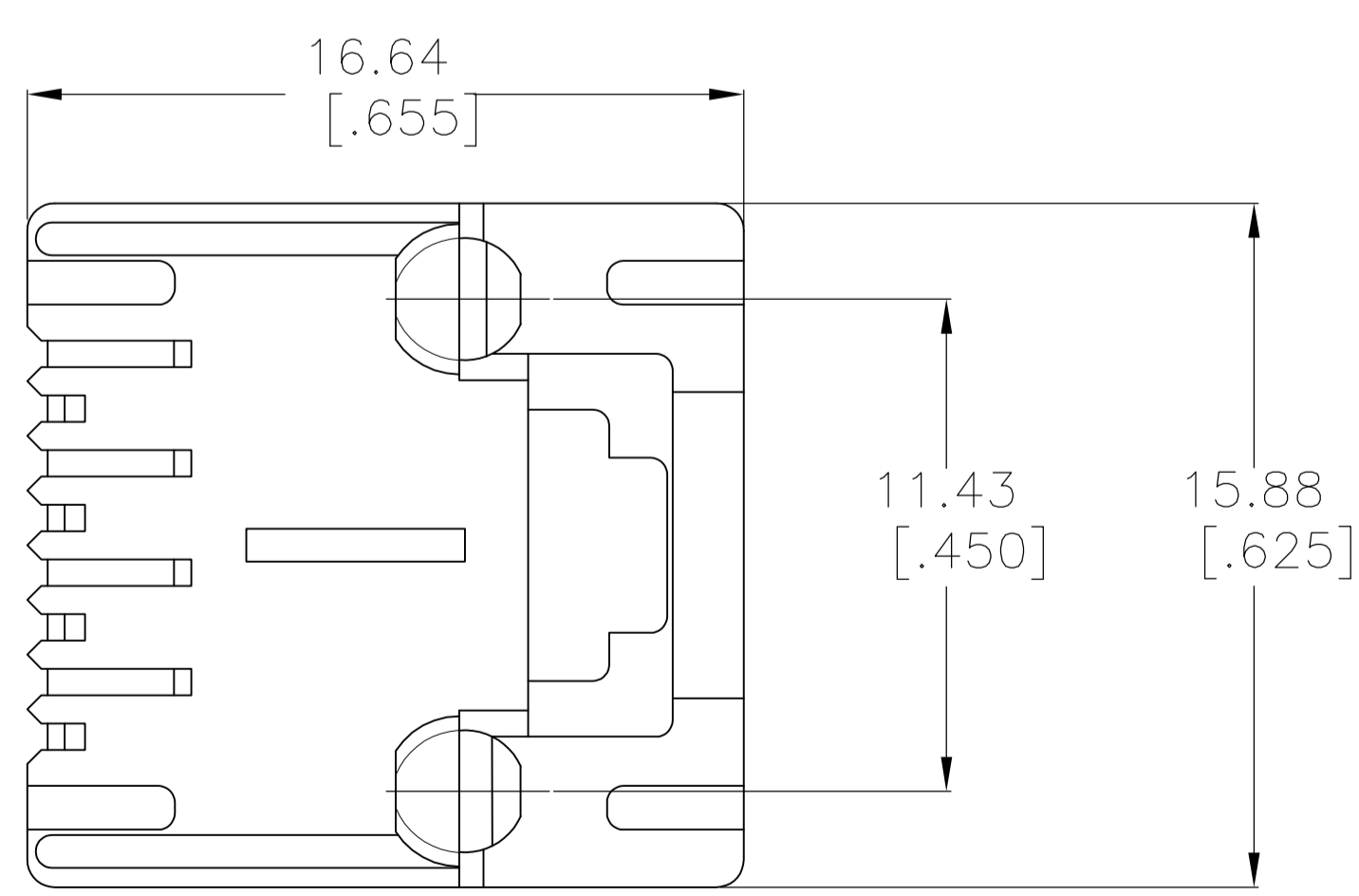
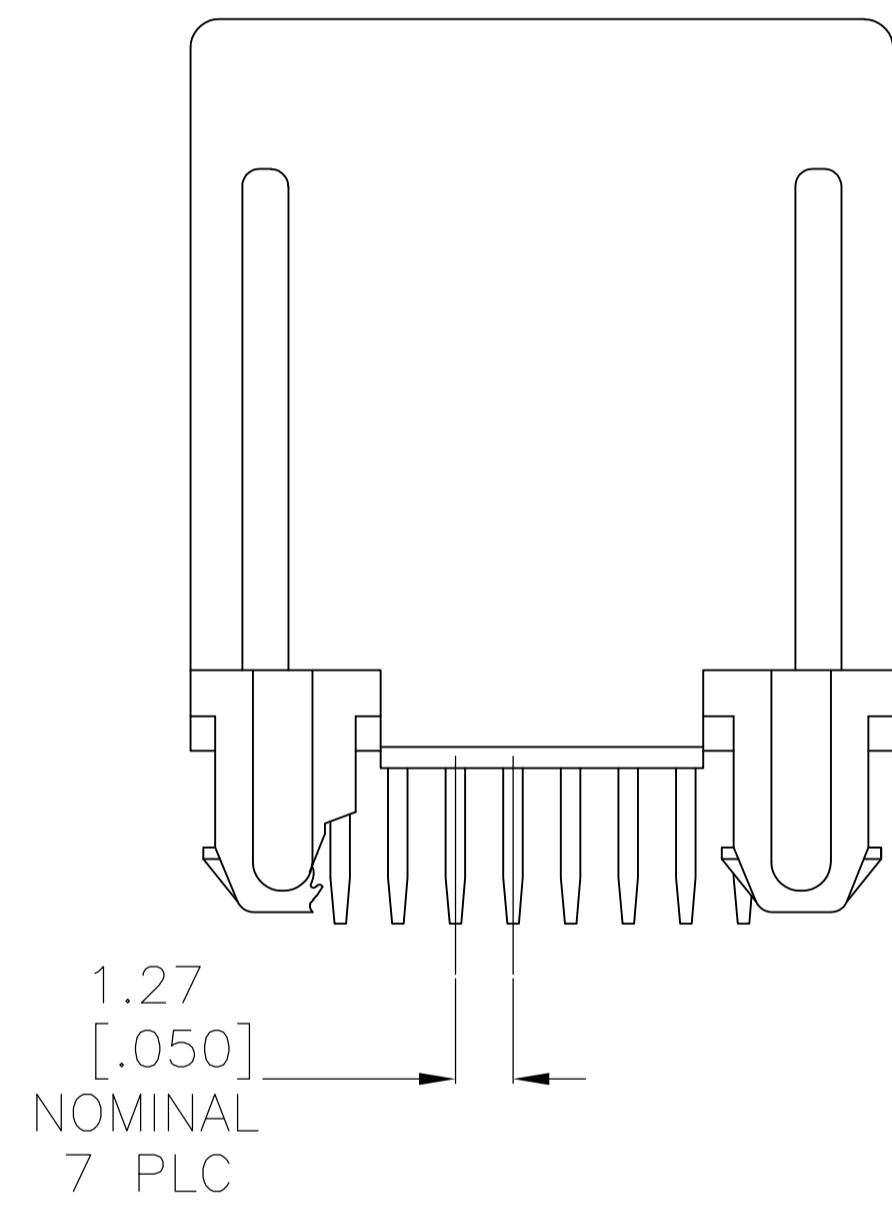
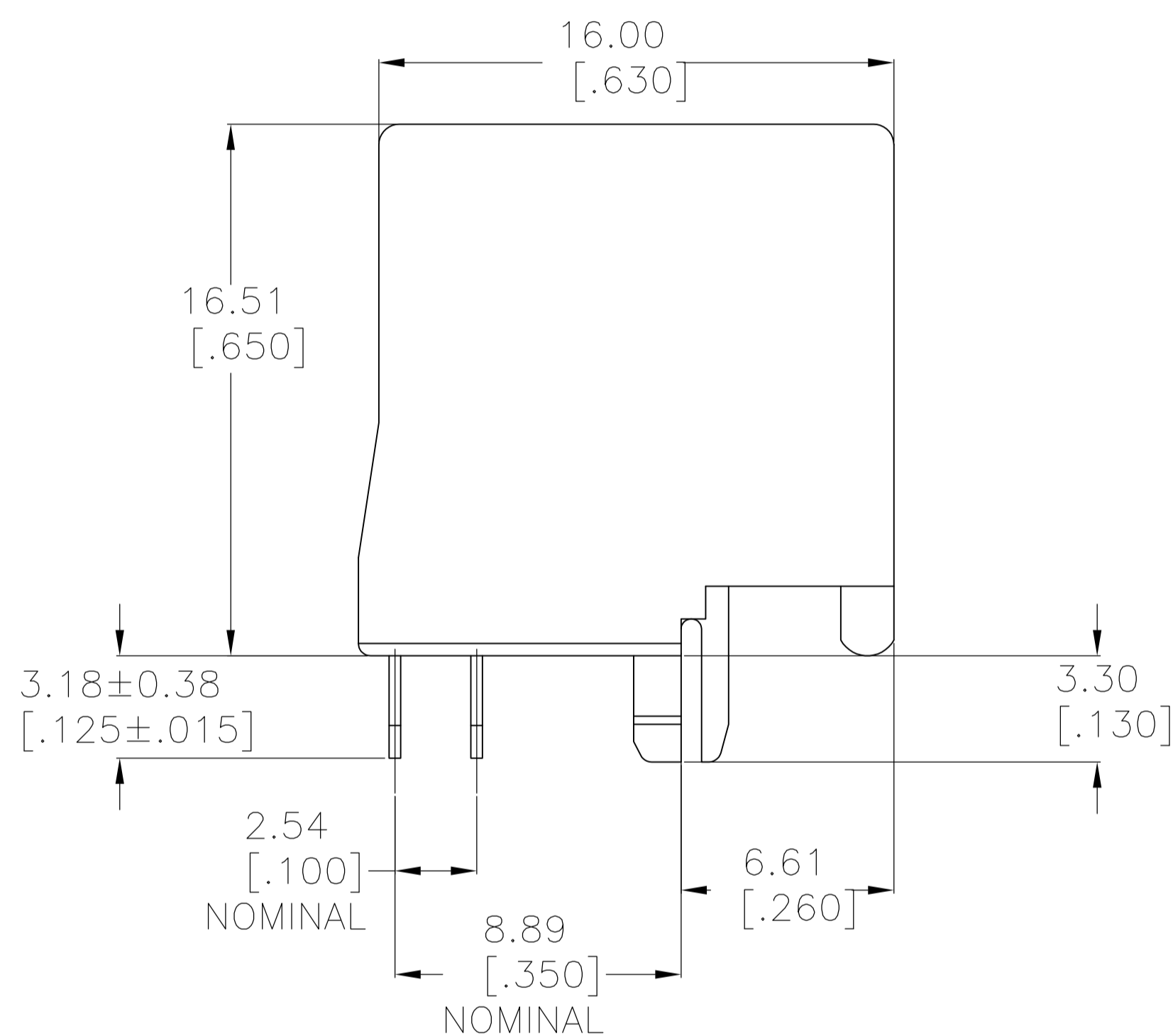
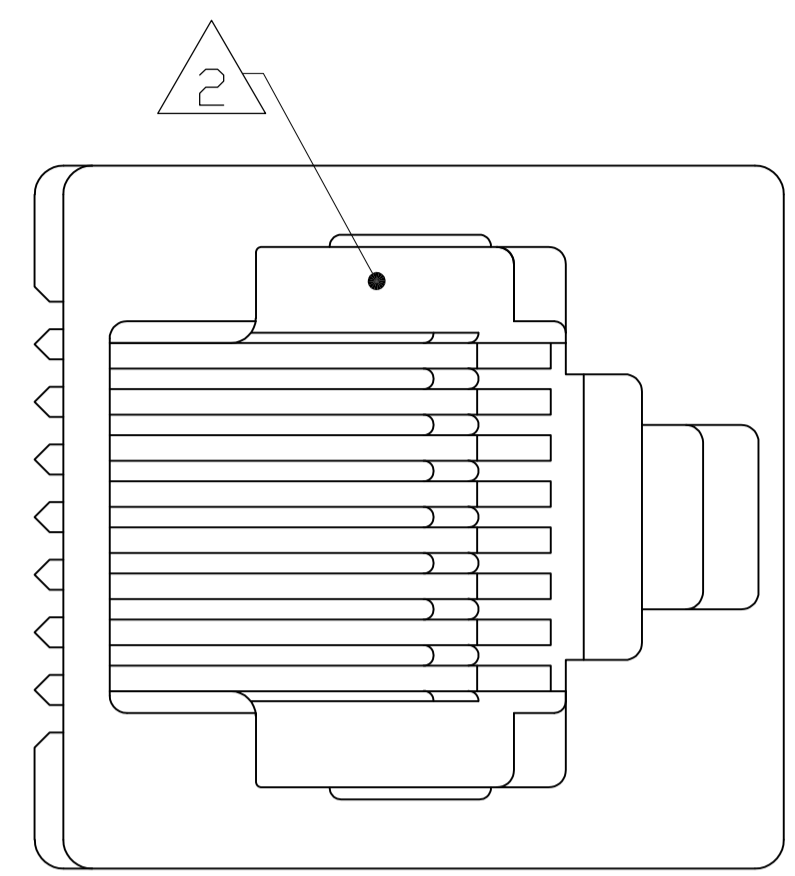
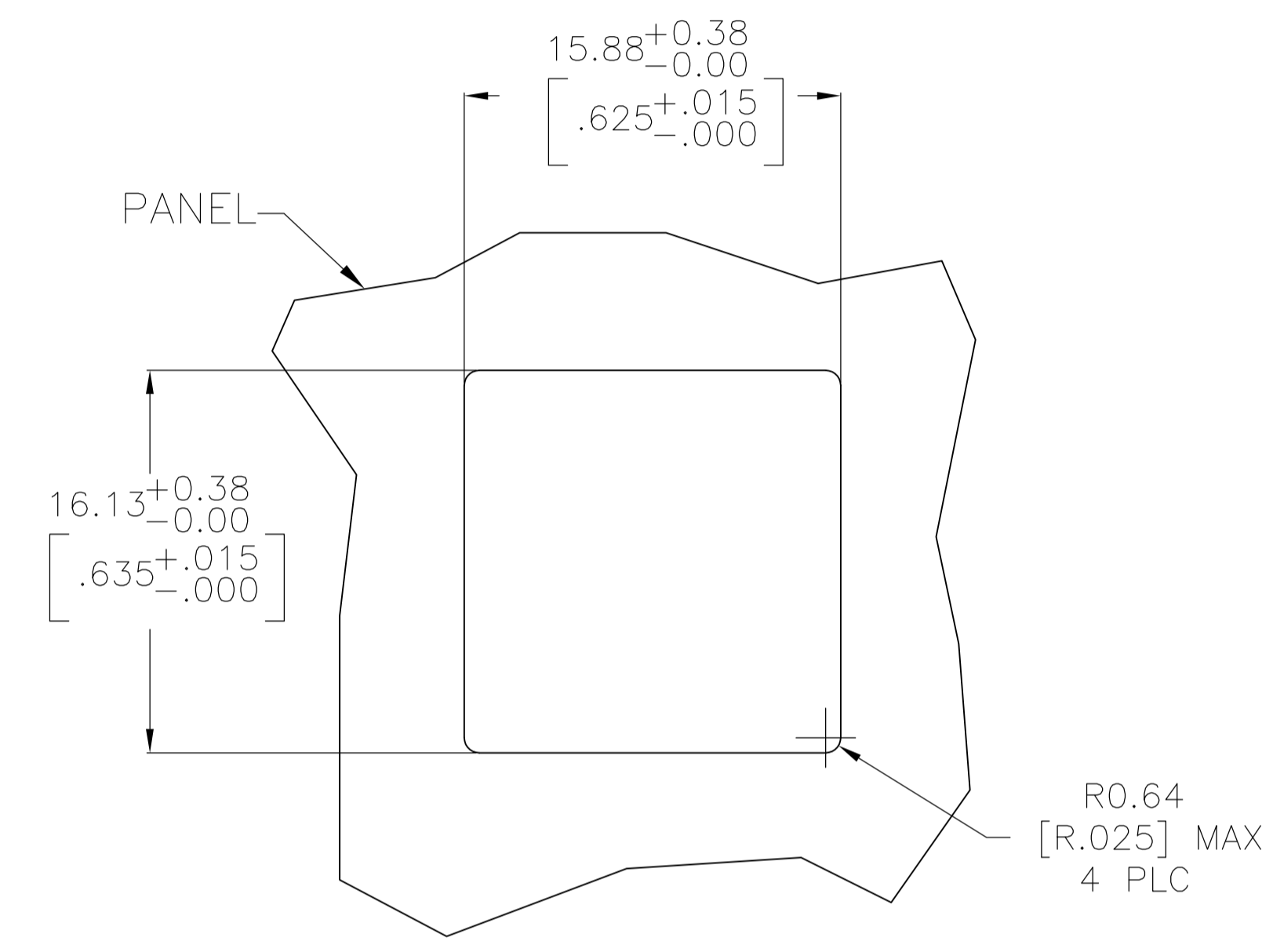


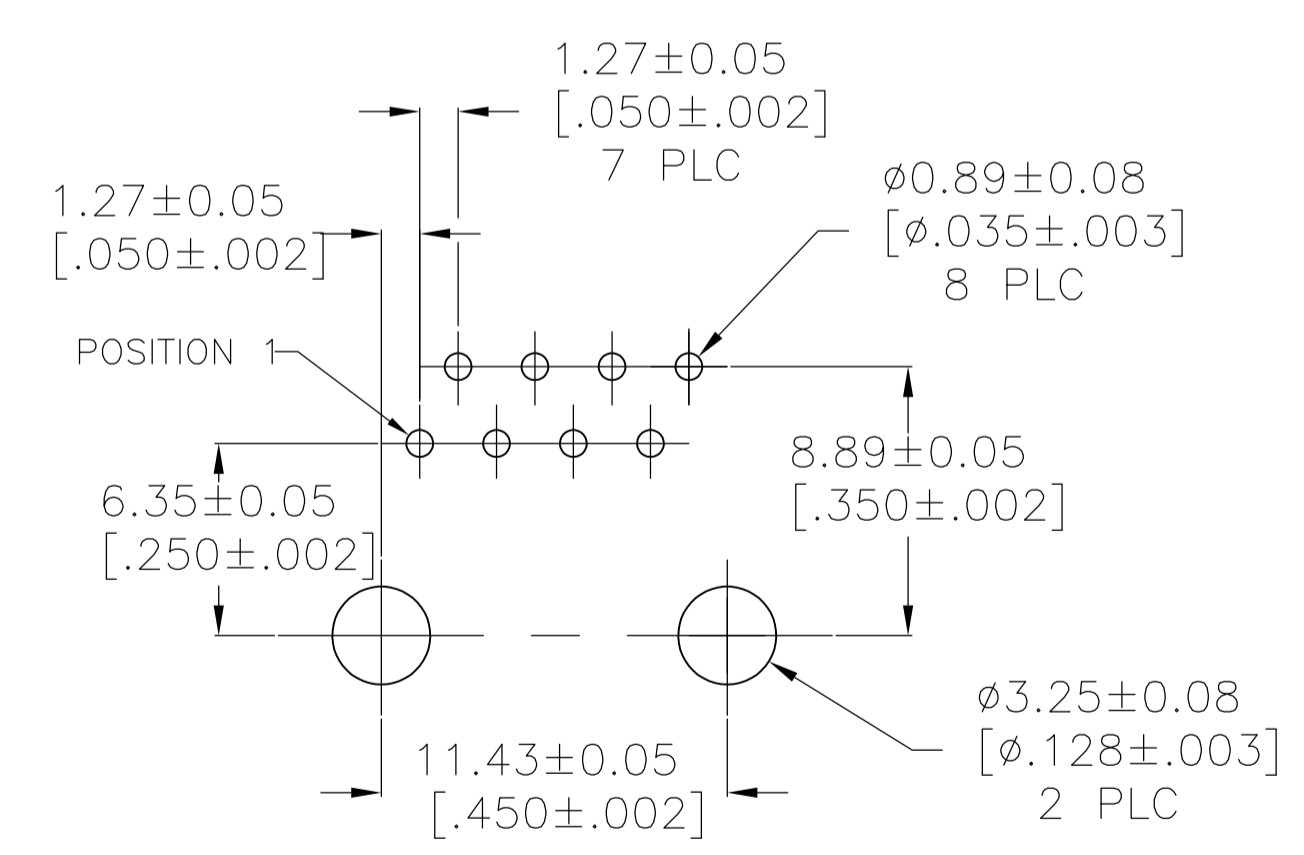
LOC		DIST		REVISIONS			
AA	00	REV	DATE	BY	CHK	APPV	
C	ECO-07-019686		10SEP70	LAM	PR		



- MATERIAL: HOUSING- PBT POLYESTER, BLACK.
 TERMINAL- 0.36[.014] THICK PHOS BRONZE PLATED WITH 1.27μm[.000050] MINIMUM THICK HARD GOLD LOCALIZED GOLD PLATE AREA AND 3.81μm[.000150] MINIMUM THICK MATTE TIN IN SOLDER AREA OVER 1.27μm[.000050] MINIMUM THICK NICKEL UNDERPLATE.
- CAVITY CONFORMS TO FCC RULES AND REGULATIONS PART 68 AND REA BULLETIN 345-81, PE-76 SPECIFICATION FOR MODULAR TELEPHONE HARDWARE.
- ALL DIMENSIONS SHOWN ARE MAXIMUM UNLESS OTHERWISE SPECIFIED.
- BULK PACKAGED IN A TRAY.
- PACKAGED 30 PER TUBE.



RECOMMENDED PANEL CUTOUT
SCALE 4:1



RECOMMENDED PRINTED CIRCUIT BOARD LAYOUT
COMPONENT SIDE
SCALE 4:1

5	5556416-2
4	5556416-1
PACKAGED	PART NO

THIS DRAWING IS A CONTROLLED DOCUMENT.		DIN B. LATTUCA 12SEP70		Tyco Electronics Corporation	
DIMENSIONS: mm [INCHES]		CHK J. WESTMAN 12SEP70		Tyco Electronics Corporation Harrisburg, PA 17105-3608	
TOLERANCES UNLESS OTHERWISE SPECIFIED:		APPV S. FLICKINGER 12SEP70		NAME	
0 PLC ± -	1 PLC ± -	PRODUCT SPEC		MODULAR JACK ASSEMBLY, TOP ENTRY, 8 POSITION, FLANGELESS, WITHOUT PANEL STOPS	
2 PLC ± -	3 PLC ± -	APPLICATION SPEC		108-1163	
4 PLC ± -	ANGLES ± -	SIZE		114-2048	
MATERIAL SEE NOTE 1	FINISH SEE NOTE 1	WEIGHT		A1 00779 5556416	
CUSTOMER DRAWING		SCALE 6:1		SHEET 1 OF 1 REV C	