

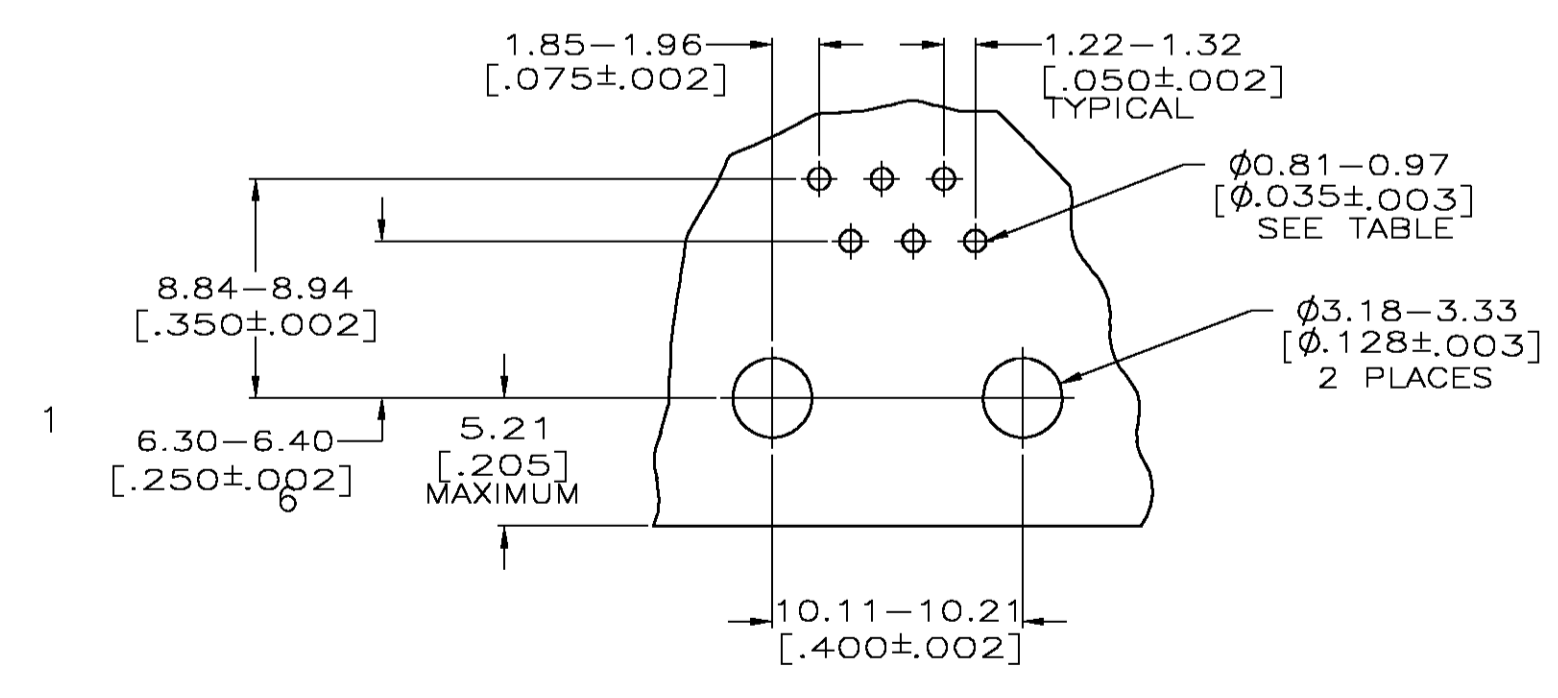
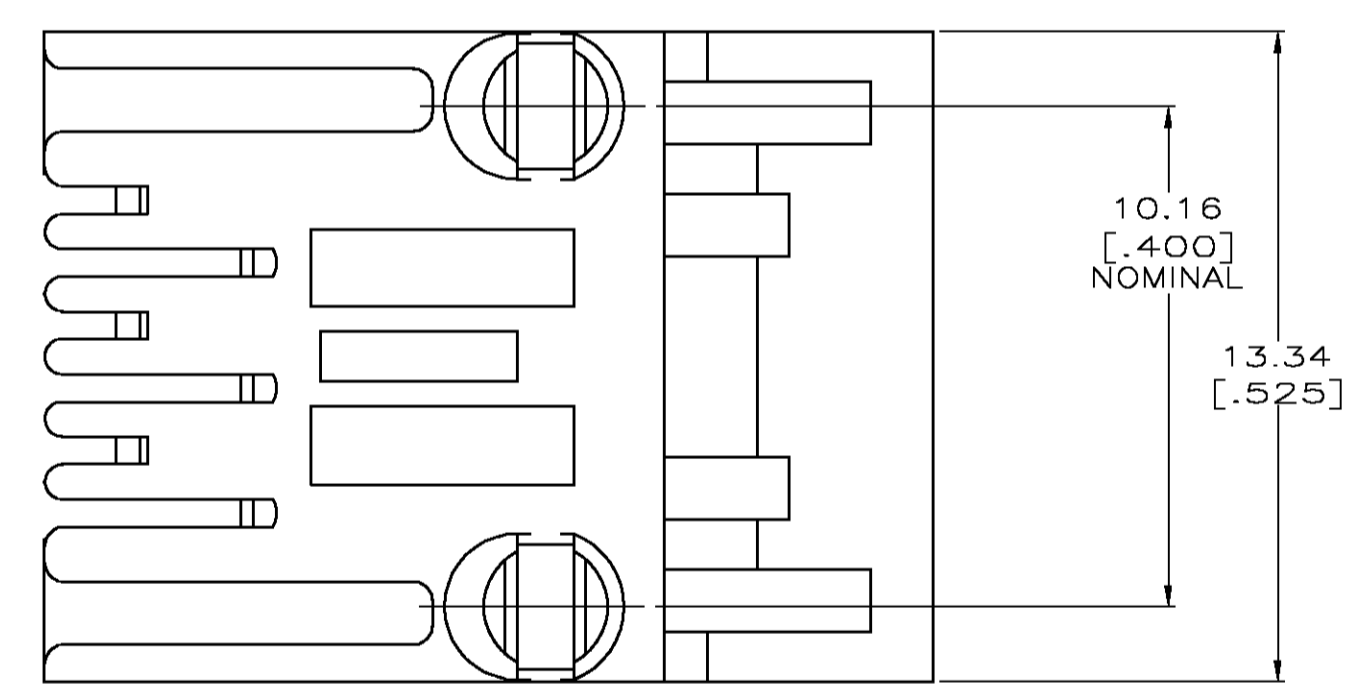
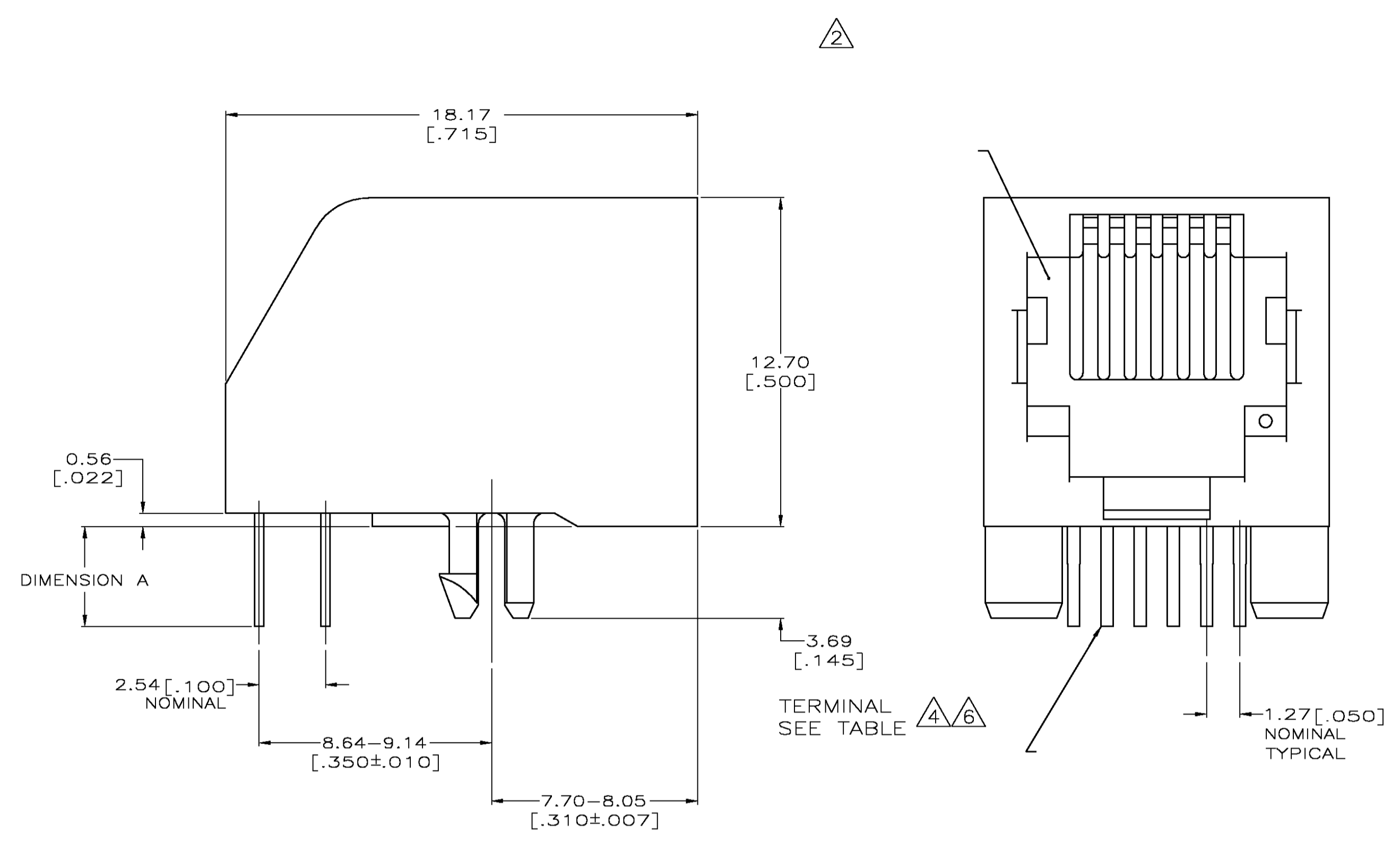
Distributed by:

**JAMECO**<sup>®</sup>  
ELECTRONICS

**www.Jameco.com ♦ 1-800-831-4242**

The content and copyrights of the attached  
material are the property of its owner.

Jameco Part Number 754902



VIEW SHOWN AS COMPONENT SIDE OF BOARD  
 SCALE 4:1

SUGGESTED PRINTED CIRCUIT BOARD  
 MOUNTING HOLE LAYOUT

1. MATERIAL: HOUSING - PBT POLYESTER, COLOR: BLACK  
 TERMINAL - 0.35[.0138] THICK PHOSPHOROUS-BRONZE PLATED WITH 1.27μm[.000050] THICK HARD GOLD IN LOCALIZED GOLD PLATE AREA AND 2.03μm[.000080] THICK MATTE TIN IN SOLDER AREA OVER 1.27μm[.000050] THICK NICKEL UNDERPLATE.
2. CAVITY CONFORMS TO FCC RULES AND REGULATIONS PART 68, SUBPART F.
3. DIMENSIONS ARE MAXIMUM UNLESS OTHERWISE SPECIFIED.
4. TERMINALS FOR 5555165-2 AND -7 AND LOCATED IN FOUR CENTER POSITIONS.
5. BULK PACKAGED IN A TRAY.
6. TERMINALS FOR 5555165-5 LOCATED IN TWO CENTER POSITIONS.

2.79±0.25[0.110±0.010]	CENTER 4	4	4	5555165-7
	CENTER 2	2	6	5555165-5
3.81±0.51[0.150±0.020]	CENTER 4	4	4	5555165-2
	6	6	6	5555165-1
CUTOFF DIMENSION A	HOLES REQUIRED	TERMINALS REQUIRED	PART NUMBER	

THIS DRAWING IS A CONTROLLED DOCUMENT.		DIN D. STRAUSSER / L.A. MAYER		Tyco Electronics Corporation	
DIMENSIONS: mm [INCHES]		CHK J. WESTMAN		Harriburg, Pa 17105-3608	
TOLERANCES UNLESS OTHERWISE SPECIFIED:		APVD S. FLICKINGER		NAME	
0 PLC ± -	1 PLC ± -	PRODUCT SPEC		MODULAR JACK ASSEMBLY,	
2 PLC ± -	3 PLC ± -	APPLICATION SPEC		6 POSITION, LOW PROFILE, RIGHT	
4 PLC ± -	ANGLES ± -	114-2048		ANGLE, WITHOUT PANEL STOPS	
MATERIAL SEE NOTE 1	FINISH SEE NOTE 1	WEIGHT -	SIZE A1	CAGE CODE 00779	DRAWING NO. 5555165
CUSTOMER DRAWING			SCALE 8:1	SHEET 1 OF 1	REV A