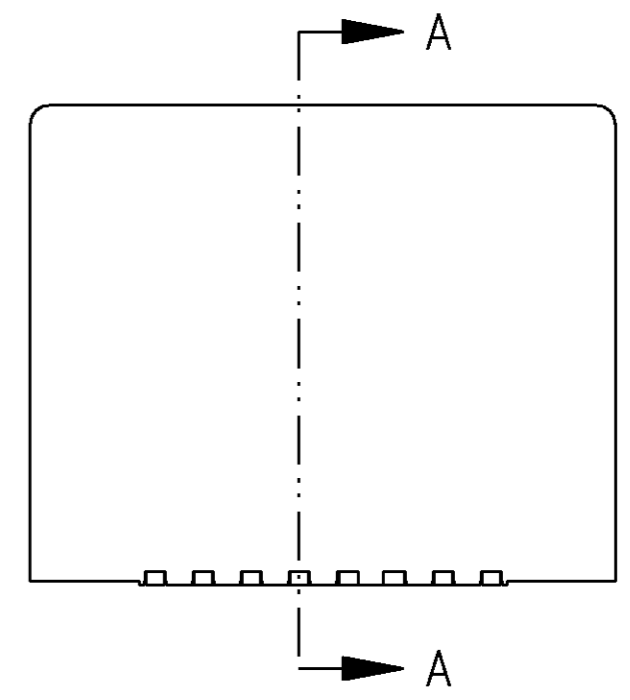
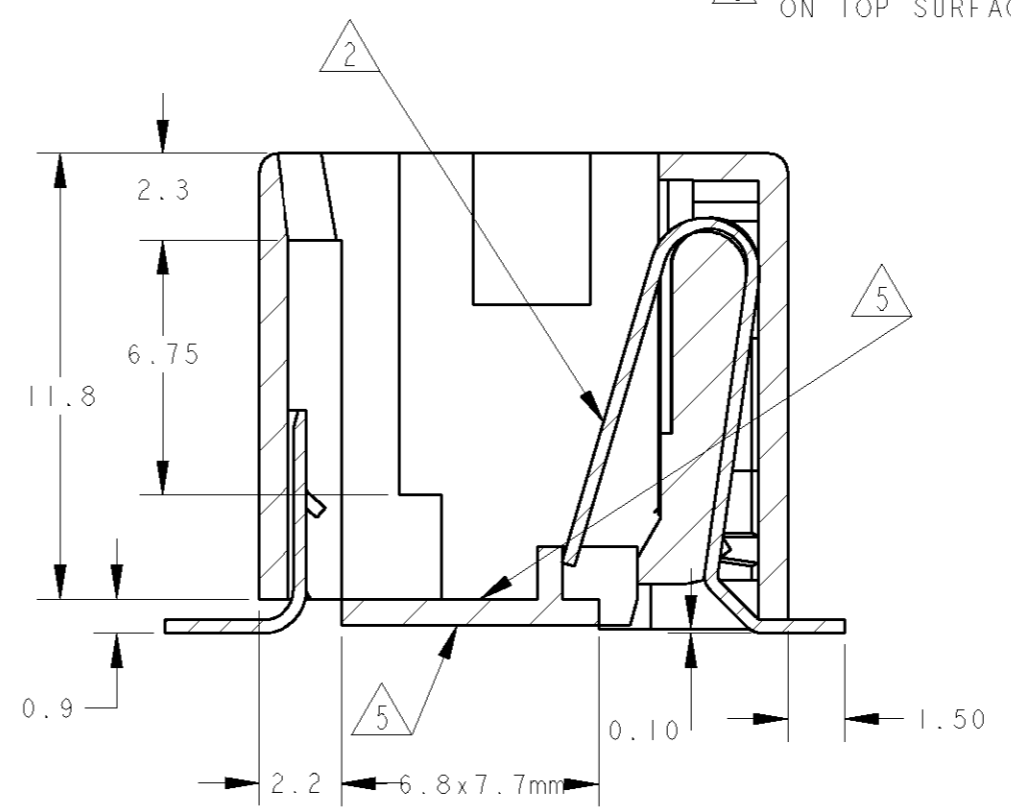
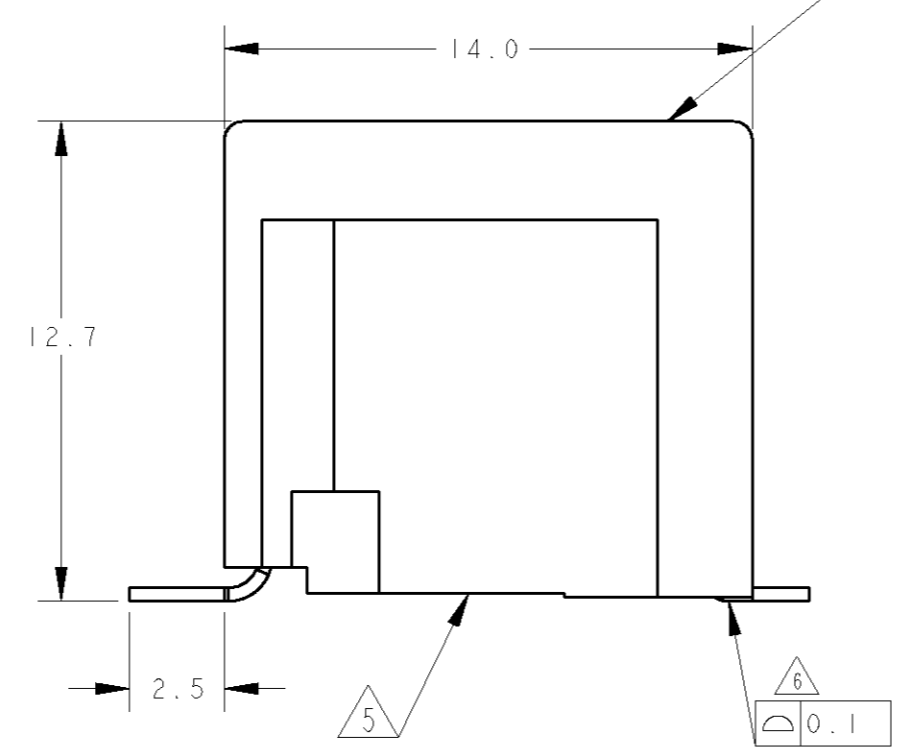
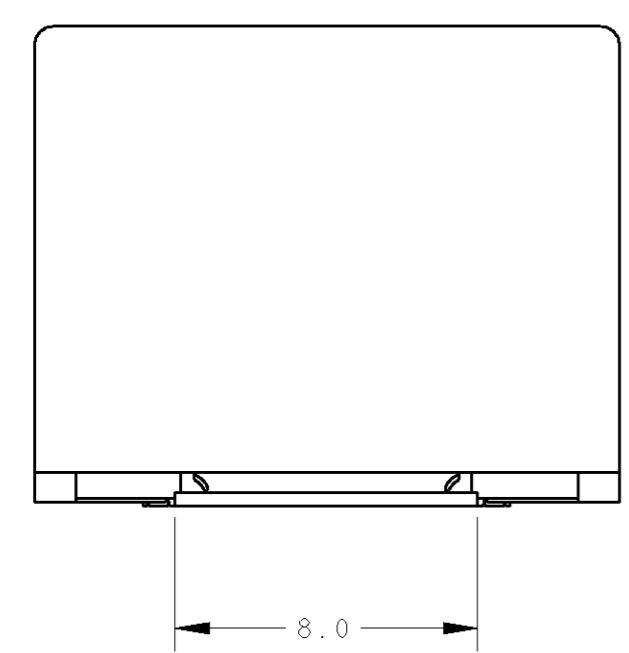
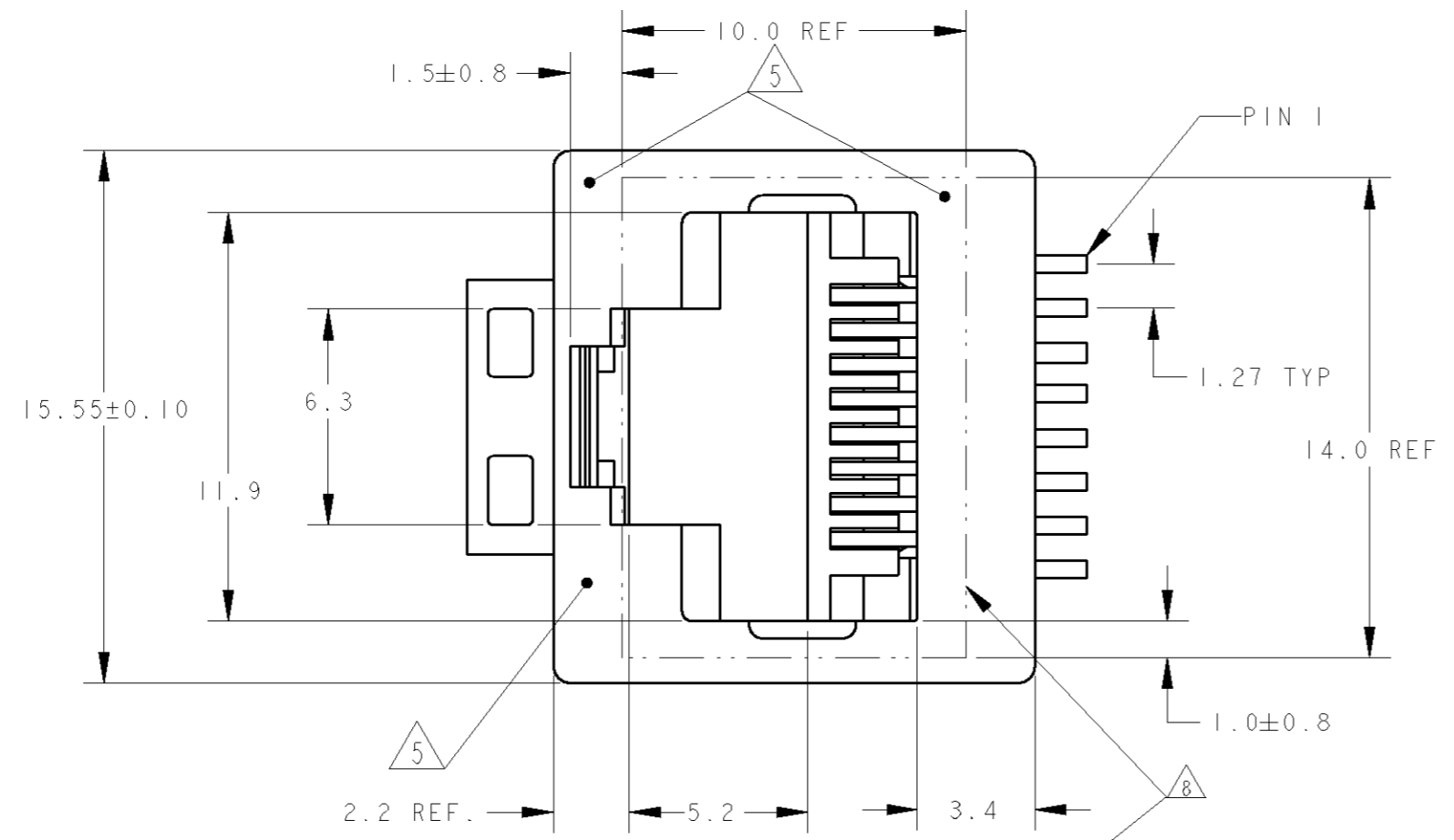
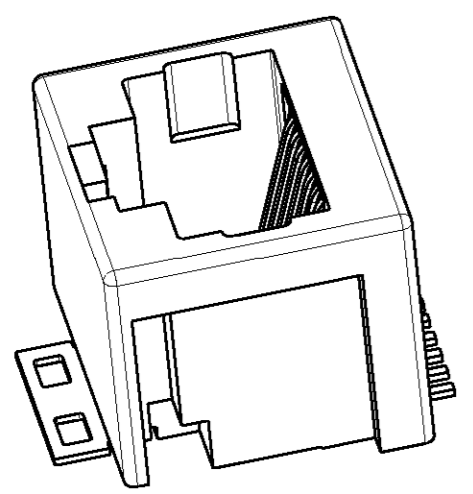


THIS DRAWING IS UNPUBLISHED. RELEASED FOR PUBLICATION .19
 © COPYRIGHT 19 BY AMP INCORPORATED. ALL RIGHTS RESERVED.

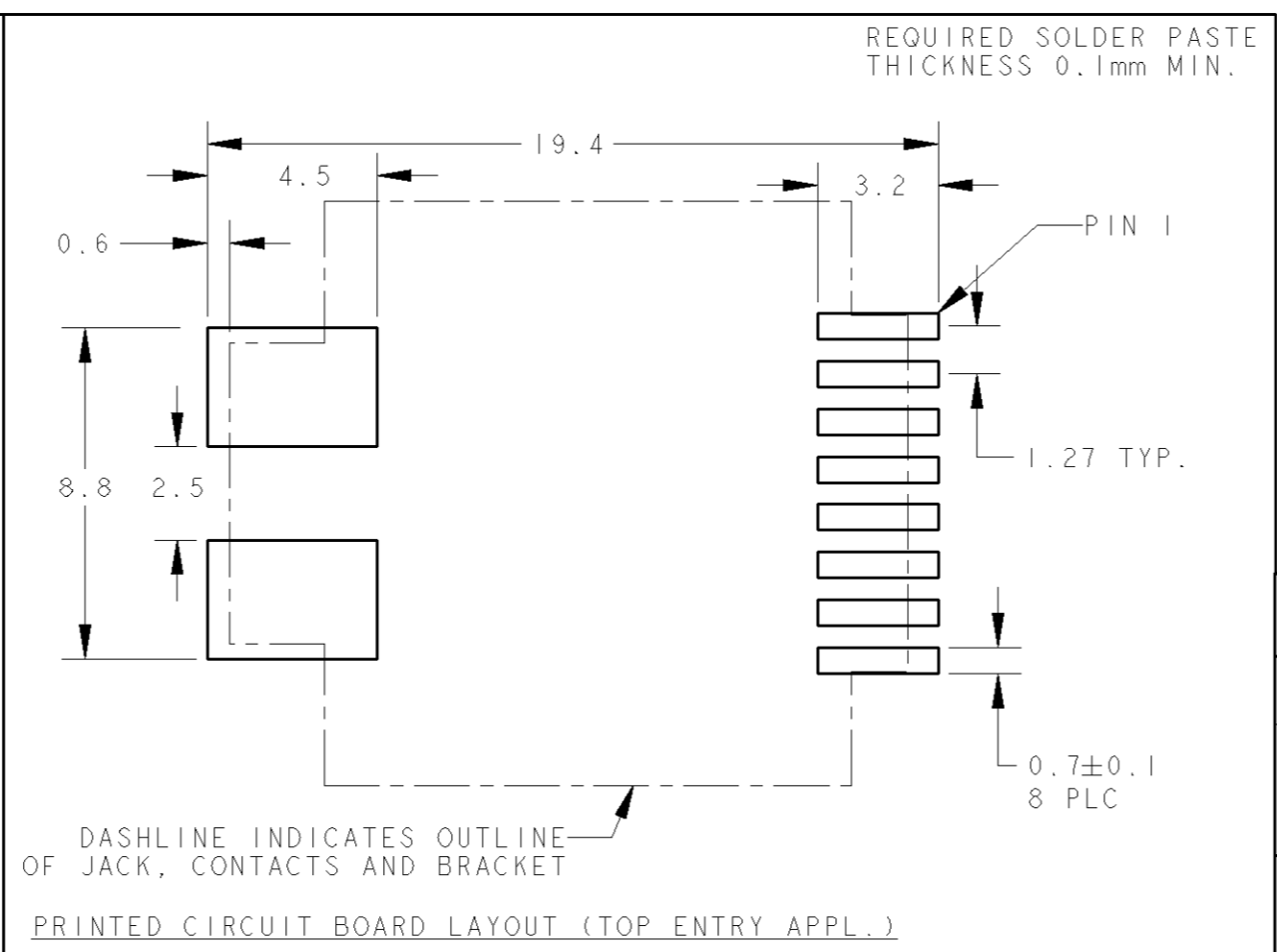
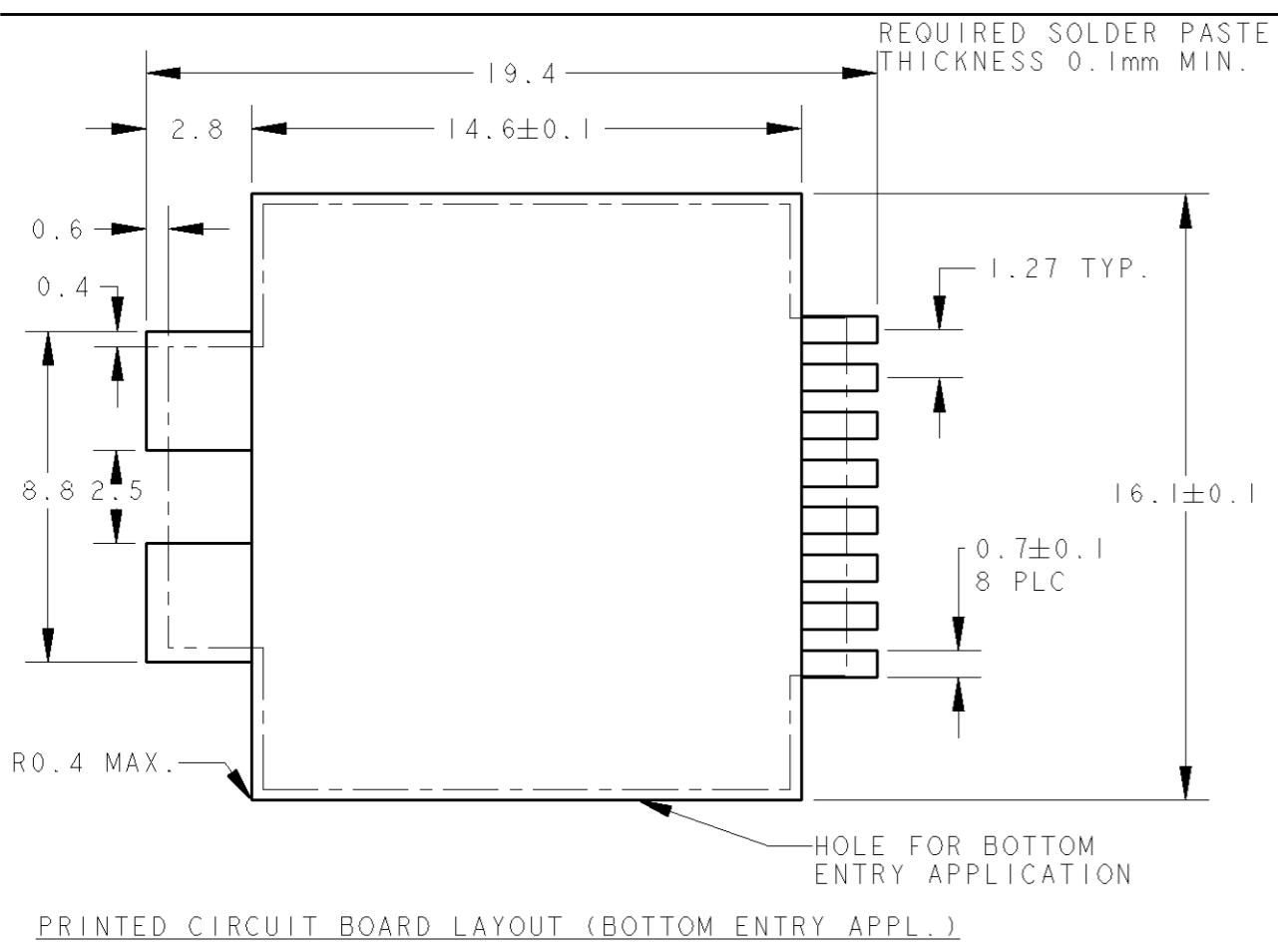
LOC	DIST	REVISIONS					
		P	LTR	DESCRIPTION	DATE	DWN	APVD
AA	22		S	EH10-0136-04	08-SEP-04	PW	PG
			T	EH10-0191-05	15FEB2005	PW	JB

NOTES:

- 1 TOLERANCES UNLESS OTHERWISE SPECIFIED: ± 0.15 .
- 2 CONTACT PLATING:
 1.27 μ m MIN. GOLD SELECTIVE IN CONTACT AREA,
 OVER 1.27 μ m MIN. NICKEL.
 3.5-5.0 μ m MIN. MATTE TIN ON SOLDER TINES.
- 3 MATERIAL:
 HOUSING: 30% G.F. PA 4.6, COLOR BLACK, UL 94V-0.
 CONTACTS: PHOSPHOR BRONZE
 SOLDER BRACKET: TINPLATED BRASS WITH NICKEL UNDERLAYER.
- 4 THIS JACK CAN ALSO BE APPLIED HANGING THROUGH A HOLE, IN A PRINTED CIRCUIT BOARD. SEE LEFT PCB LAYOUT.
- 5 SURFACE CAN BE USED FOR PICKING THE MODULAR JACK WITH, TYPE 11 SMD MACHINE.
- 6 MEASURED AT HEEL OF CONTACTS, COPLANARITY AT TIPS MAX. 0.18mm.
- 7 TAPE AND REEL PACKAGING ACCORDING TO EIA 481-3 SPECIFICATIONS.
- 8 INCLUDES KAPTON TAPE (10mm x 14mm) ON TOP SURFACE FOR PICK AND PLACE UNIT



SECTION A-A



REMARKS	PACKAGING	PART NUMBER
8 POS./8 CONTACT	250PCS ON \varnothing 360mm OD REEL TOP ENTRY ORIENTATION PER DETAIL B1 WITH KAPTON TAPE FOR PICK AND PLACING	1-338088-6
8 POSN./8 CONTACT	250 PCS ON \varnothing 360mm OD REEL BOTTOM ENTRY ORIENTATION PER DETAIL B2	1-338088-5
8 POSN./8 CONTACT	500 PCS ON \varnothing 560mm OD REEL TOP ENTRY ORIENTATION PER DETAIL B1	2-338088-3
8 POSN./8 CONTACT	250 PCS ON \varnothing 360mm OD REEL TOP ENTRY ORIENTATION PER DETAIL B1	1-338088-3

THIS DRAWING IS A CONTROLLED DOCUMENT FOR AMP INCORPORATED. IT IS SUBJECT TO CHANGE AND THE CONTROLLING ENGINEERING ORGANIZATION SHOULD BE CONTACTED FOR THE LATEST REVISION.

DIMENSIONS: mm

TOLERANCES UNLESS OTHERWISE SPECIFIED:
 0 PLC \pm
 1 PLC \pm
 2 PLC \pm
 3 PLC \pm
 4 PLC \pm
 ANGLES \pm
 FINISH

MATERIAL: SEE NOTE 3

FINISH: SEE NOTE 2

DWN: E.v.ELJK 30-Sep-96
 CHK: E.STELLINGA Dec.'96
 APVD: R.SMEETS

PRODUCT SPEC: 108-19117
 APPLICATION SPEC: 114-19041
 WEIGHT: 2.1 gr

AMP Tyco Electronics
 Harrisburg, PA 17105-3608

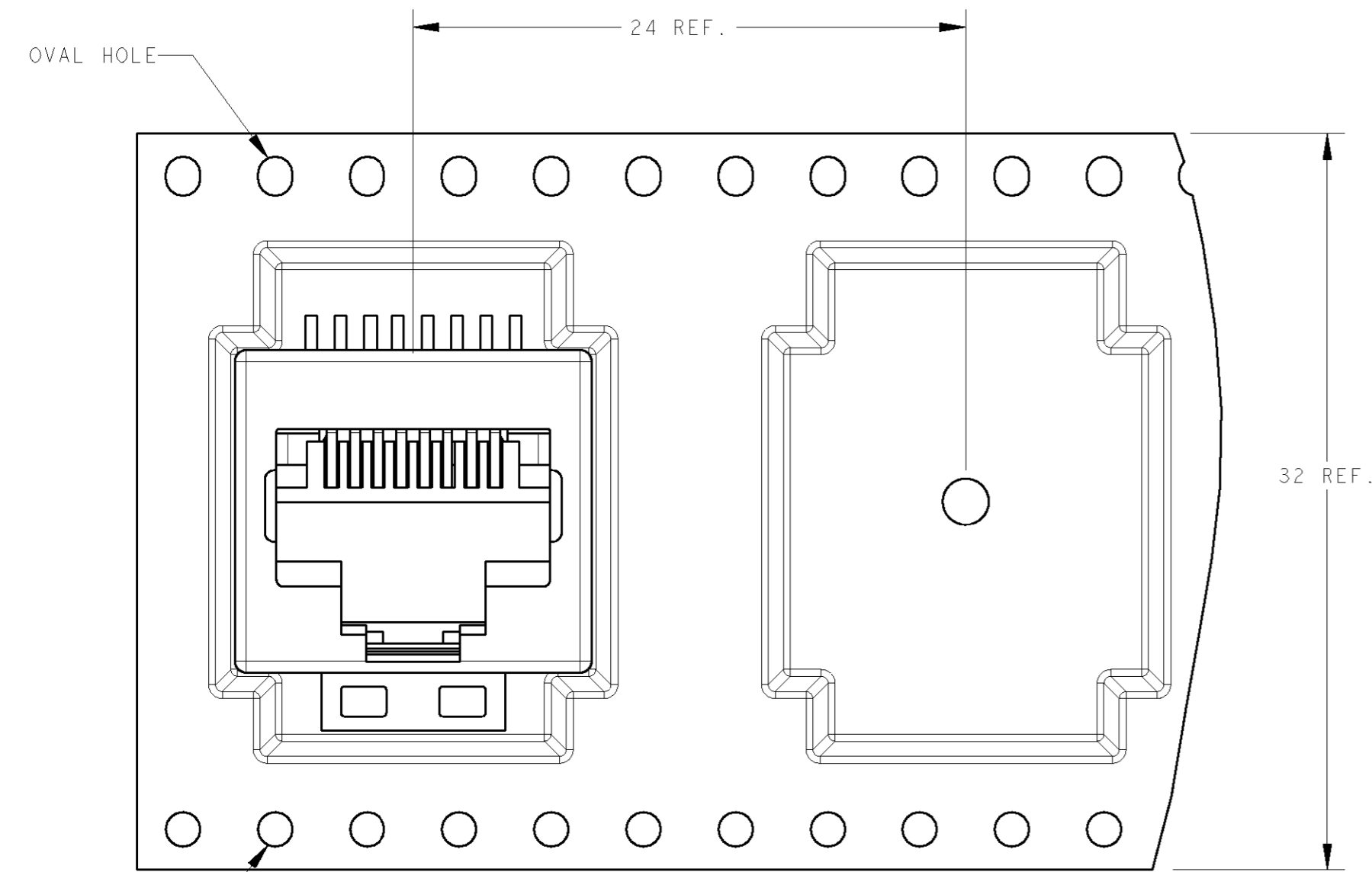
NAME: INVERTIBLE MODULAR JACK, 8 POSITION, FOR SURFACE MOUNT APPLICATION

SIZE: A2 CAGE CODE: 00779 DRAWING NO: 338088 RESTRICTED TO: -
 SCALE: 5:1 SHEET 1 OF 2 REV T

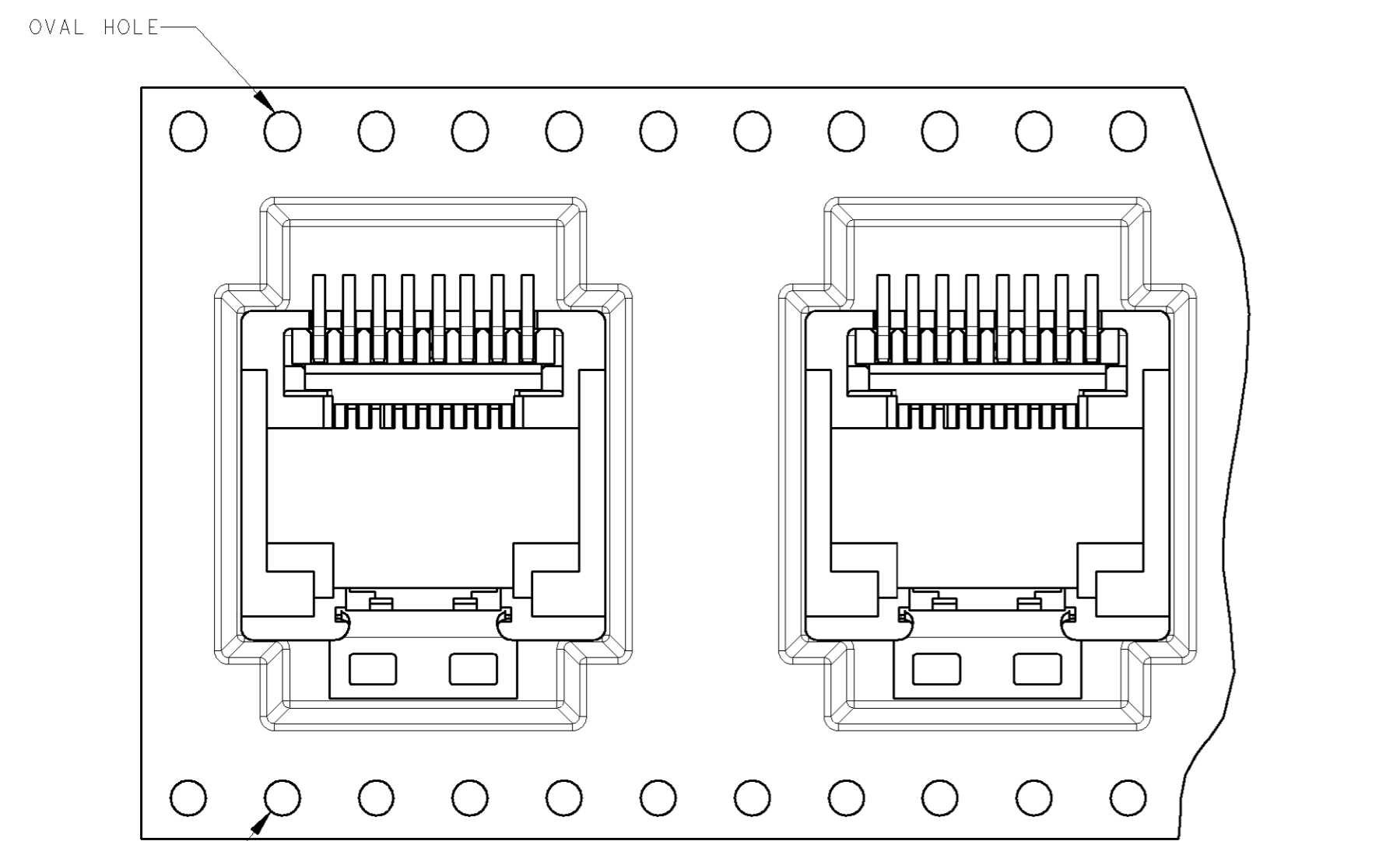
338088-C

THIS DRAWING IS UNPUBLISHED. RELEASED FOR PUBLICATION
 BY AMP INCORPORATED. ALL RIGHTS RESERVED.

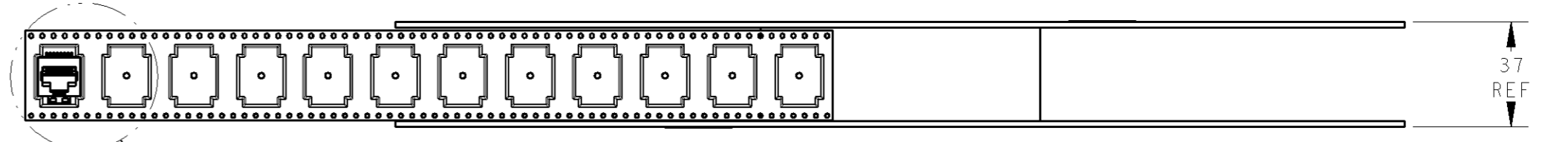
LOC	DIST	REVISIONS			
P	LTR	DESCRIPTION	DATE	DWN	APVD
AA	22	SEE SHEET 1	-	-	-



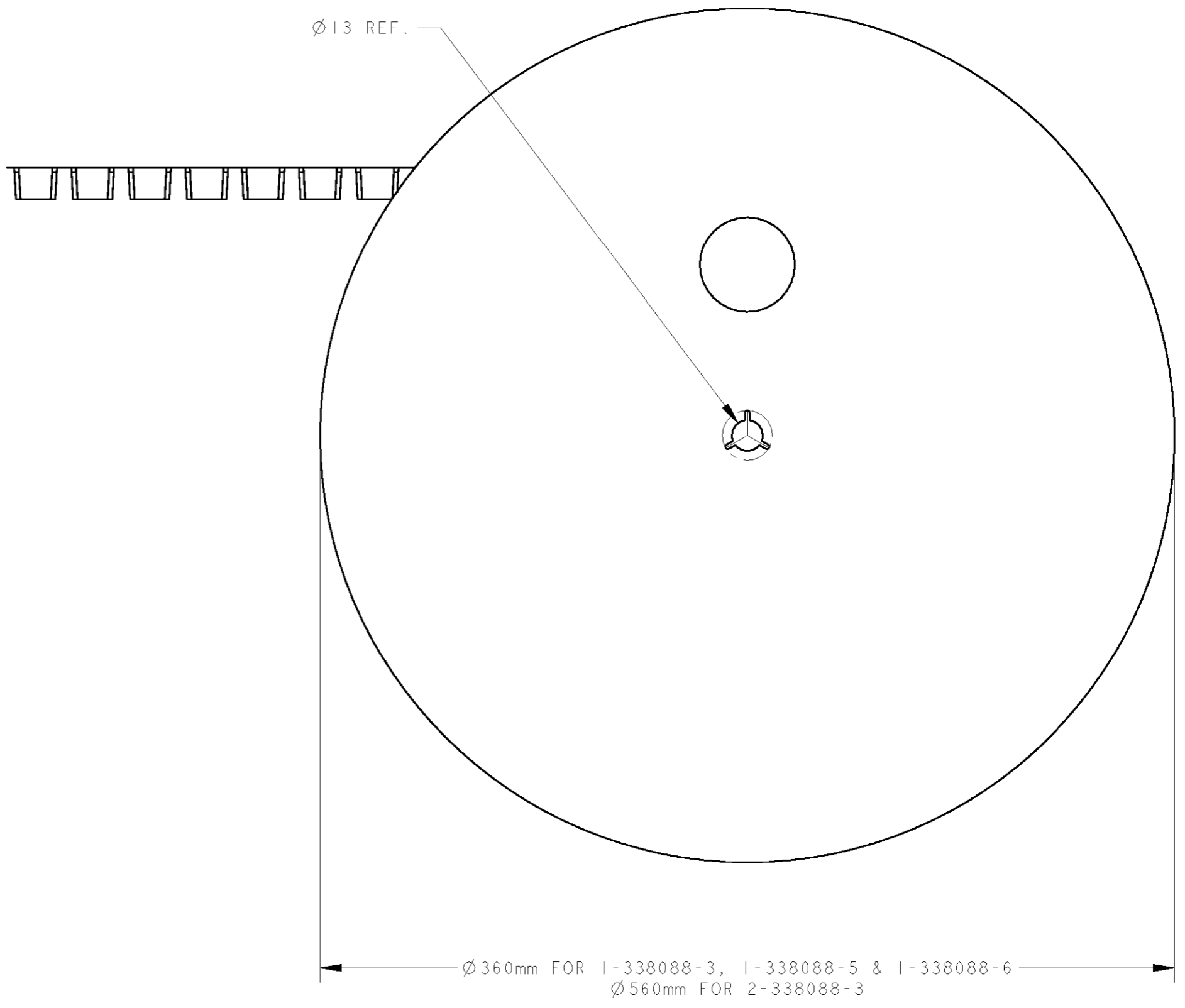
TOP ENTRY ORIENTATION.
 DETAIL B1
 SCALE 4:1



BOTTOM ENTRY ORIENTATION.
 DETAIL B2
 SCALE 4:1



SEE DETAIL B1 & B2



THIS DRAWING IS A CONTROLLED DOCUMENT FOR AMP INCORPORATED. IT IS SUBJECT TO CHANGE AND THE CONTROLLING ENGINEERING ORGANIZATION SHOULD BE CONTACTED FOR THE LATEST REVISION.		DWN 11-Oct-96 CHK E.v.ELJK Dec.'96 APVD E.STELLINGA R.SMEETS	Tyco Electronics Harrisburg, PA 17105-3608
DIMENSIONS: mm 	TOLERANCES UNLESS OTHERWISE SPECIFIED: 0 PLC ± 1 PLC ± 2 PLC ± 3 PLC ± 4 PLC ± ANGLES ± FINISH -	NAME INVERTIBLE MODULAR JACK, 8 POSITION, FOR SURFACE MOUNT APPLICATION	RESTRICTED TO -
MATERIAL		SIZE A2 CAGE CODE 00779 DRAWING NO. C-338088	SCALE 1:2 SHEET 2 OF 2 REV T

338088-C