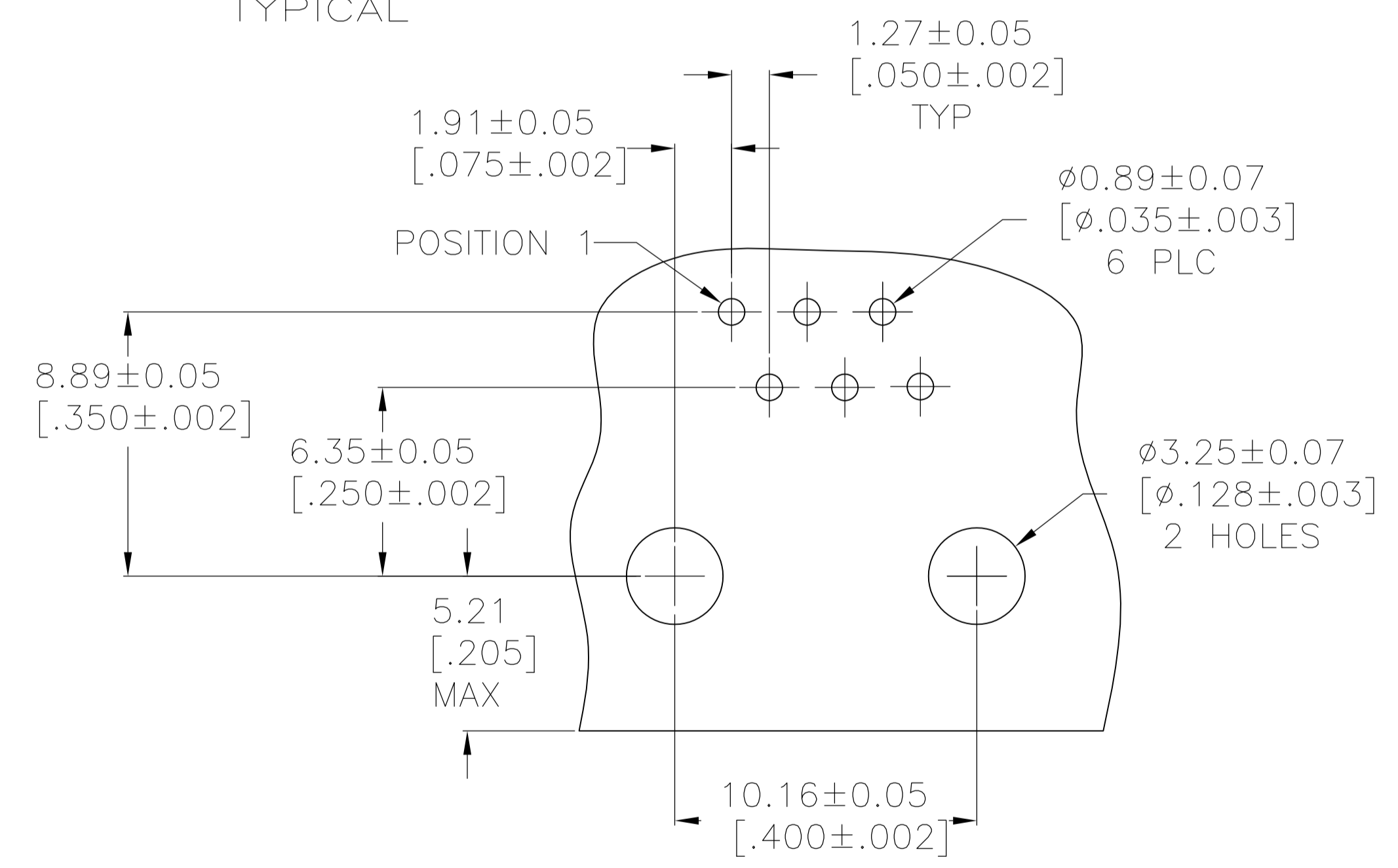
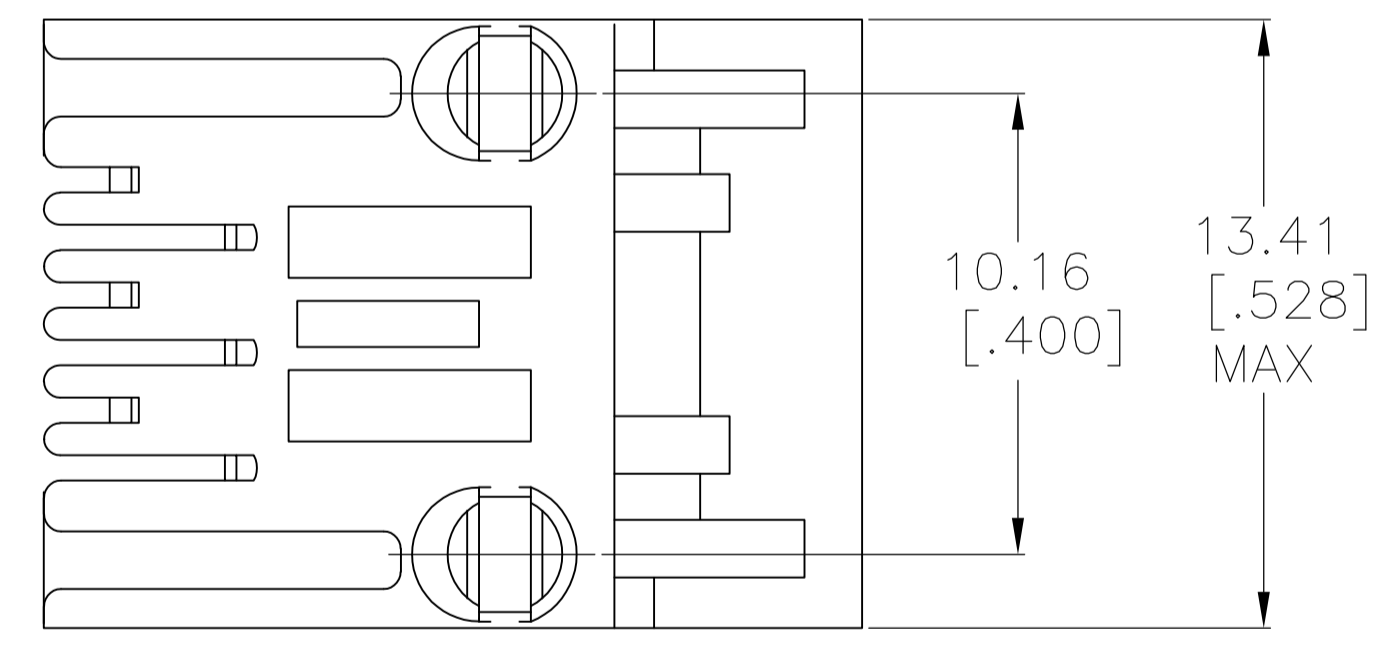
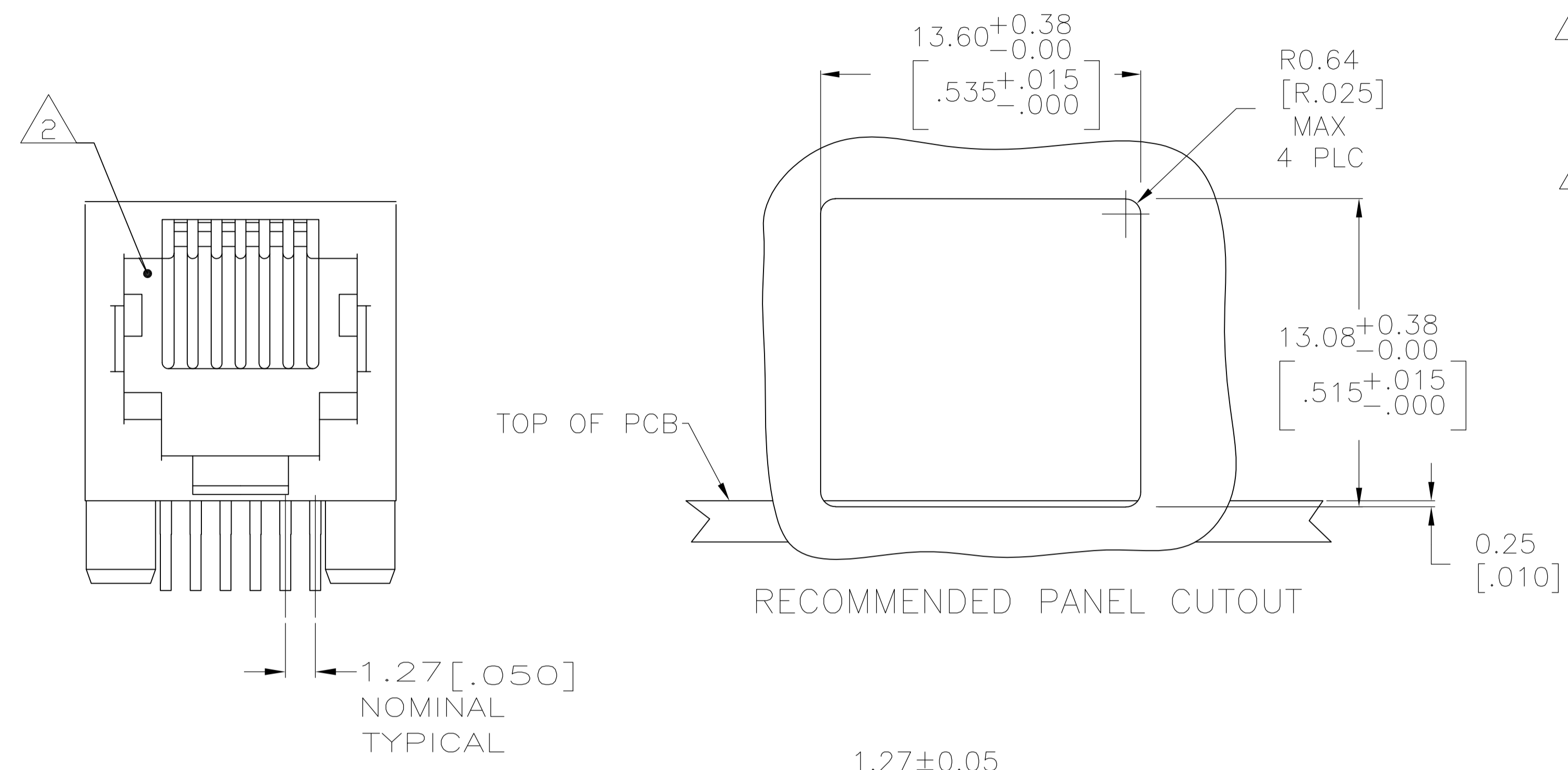
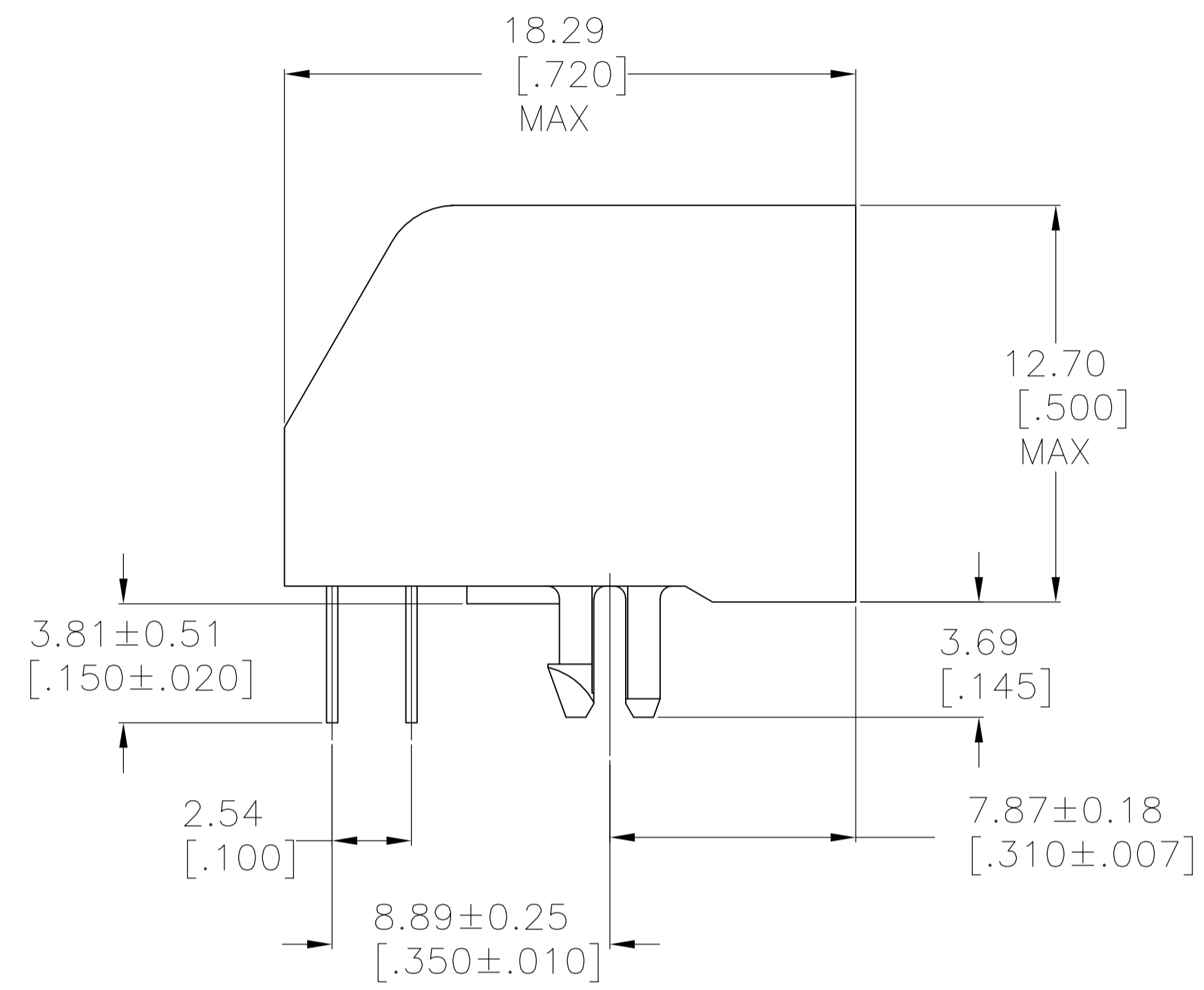


LOC		DIST		REVISIONS			
AA	00	REV	DATE	BY	APPV	DATE	BY
E	ECO-08-004638		25FEB2008	LAM	PR		

- MATERIAL: HOUSING - PBT POLYESTER, COLOR: SEE TABLE  
 TERMINAL - 0.35[.0138] THICK PHOS BRONZE  
 PLATED WITH 1.27 $\mu$ m[.000050] THICK  
 HARD GOLD IN LOCALIZED GOLD PLATE AREA AND  
 2.03 $\mu$ m[.000080] THICK MATTE TIN IN SOLDER  
 AREA OVER 1.27 $\mu$ m[.000050] THICK NICKEL  
 UNDERPLATE.
- CAVITY CONFORMS TO FCC RULES AND REGULATIONS  
 PART 68, SUBPART F.
- BULK PACKAGED IN A TRAY.
- TERMINALS FOR 5555165-2, -5 & -8 AND LOCATED IN  
 CENTER POSITIONS.



RECOMMENDED PRINTED CIRCUIT BOARD LAYOUT  
 COMPONENT SIDE SHOWN

COLOR	TERMINALS REQUIRED	PART NUMBER
DEC GREY	4	5555165-8
BLACK	2	5555165-5
BLACK	4	5555165-2
BLACK	6	5555165-1

THIS DRAWING IS A CONTROLLED DOCUMENT.

DIMENSIONS: mm [INCHES]	TOLERANCES UNLESS OTHERWISE SPECIFIED:	REV	DATE	BY	APPV
	0 PLC ± -	1	08JUNE2005	D. STRAUSSER	J. WESTMAN
	1 PLC ± -	2	08JUNE2005	J. WESTMAN	S. FLICKINGER
	2 PLC ± 0.13[.005]	3			
	3 PLC ± -	4			
	4 PLC ± -	ANGLES			

MATERIAL SEE NOTE 1	FINISH SEE NOTE 1	WEIGHT -	SIZE A1	SCALE 6:1	DATE 00779	REV E
------------------------	----------------------	-------------	------------	--------------	---------------	----------

Customer Drawing