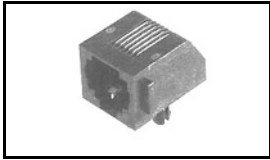


5555165-1 Product Details

[Share](#) [Print](#) [Email](#)




5555165-1

TE Internal Number: 5555165-1

 Active

[View 3D PDF](#)

PCB Mounted Jacks - Single Port, Multi-port and Stacked

 Always EU RoHS/ELV Compliant
(Statement of Compliance)

Product Highlights:

- Connector
- Preloaded
- Single Port Configuration
- 1 x 1 Jack Configuration
- Jack Type = RJ25

[View all Features](#)

Quick Links

- ▶ [Pricing & Availability](#)
- ▶ [Search for Tooling](#)
- ▶ [Product Feature Selector](#)
- ▶ [Contact Us About This Product](#)

[Add to My Part List](#)

[Request Sample](#)

[Find Similar Products](#)

[Buy Product](#)

Documentation & Additional Information

Product Drawings:

- [MODULAR JACK ASSEMBLY, 6 POSITION, LOW PROFILE, RIGH...](#) (PDF, English)

Catalog Pages/Data Sheets:

- [1-1773464-9_MODULAR JACKS_SINGLE_PORT_PCB_MOUNT](#) (PDF, English)
- [82066 - Modular Jacks and MRJ21 Product catalog - Si...](#) (PDF, English)

Product Specifications:

- [Modular Plugs, Thru-Hole and Surface Mount Jacks, Da...](#) (PDF, English)

Application Specifications:

- [Modular Jacks](#) (PDF, English)

Instruction Sheets:

- None Available

CAD Files: (CAD Format & Compression Information)

- [2D Drawing](#) (DXF, Version E)
- [3D Model](#) (IGES, Version E)
- [3D Model](#) (STEP, Version E)

[List all Documents](#)

Additional Information:

- [Product Line Information](#)

Related Products:

- [Tooling](#)

Product Features (Please use the Product Drawing for all design activity)

Product Type Features:

- Product Type = Connector
- Jack Type = RJ25
- PCB Mounting Orientation = Side Entry (Right Angle)
- PCB Mount Style = Through Hole
- Termination Method to PC Board = Solder
- Performance Category = Cat 3
- LED = Without
- Grounding Options = Without
- Panel Stops = Without
- Keyed = No
- Profile = Low

Body Features:

- Inverted Jack Face = No

Contact Features:

- Contact Plating, Mating Area, Material = Gold (50)
- Contact Base Material = Phosphor Bronze

Housing Features:

- Housing Material = PBT - GF
- UL Flammability Rating = UL 94V-0

Configuration Features:

- Preloaded = Yes

- [Color](#) = Black
- [Latch Style](#) = Standard

Mechanical Attachment:

- [Panel Mount Retention](#) = With
- [Flanged](#) = No

Electrical Characteristics:

- [Shielded](#) = No

Termination Features:

- [Solder Tail Contact Plating](#) = Tin over Nickel

Dimensions:

- [Height \(mm \[in\]\)](#) = 12.70 [0.500]
- [PCB Tail Length \(mm \[in\]\)](#) = 3.80 [0.150]
- [PCB Thickness, Recommended \(mm \[in\]\)](#) = 1.57 [0.062]

- [Port Configuration](#) = Single
- [Jack Configuration](#) = 1 x 1
- [Number of Positions](#) = 6
- [Number of Contacts Loaded](#) = 6

Industry Standards:

- [RoHS/ELV Compliance](#) = RoHS compliant, ELV compliant
- [Lead Free Solder Processes](#) = Wave solder capable to 260°C, Wave solder capable to 240°C, Wave solder capable to 265°C
- [RoHS/ELV Compliance History](#) = Always was RoHS compliant

Packaging Features:

- [Packaging Method](#) = Tray

Product Availability:

- [Region](#) = Asia, North America

Other:

- [Brand](#) = AMP

Corporate Information

- [About TE](#)
- [Investors](#)
- [News Room](#)
- [Supplier Portal](#)
- [Careers](#)
- [Terms & Conditions](#)
- [Privacy Policy](#)

Quick Links

- [Distributor Inventory](#)
- [Product Cross Reference](#)
- [Documents & Drawings](#)
- [Product Compliance Support Center](#)
- [Site Map](#)

Customer Support

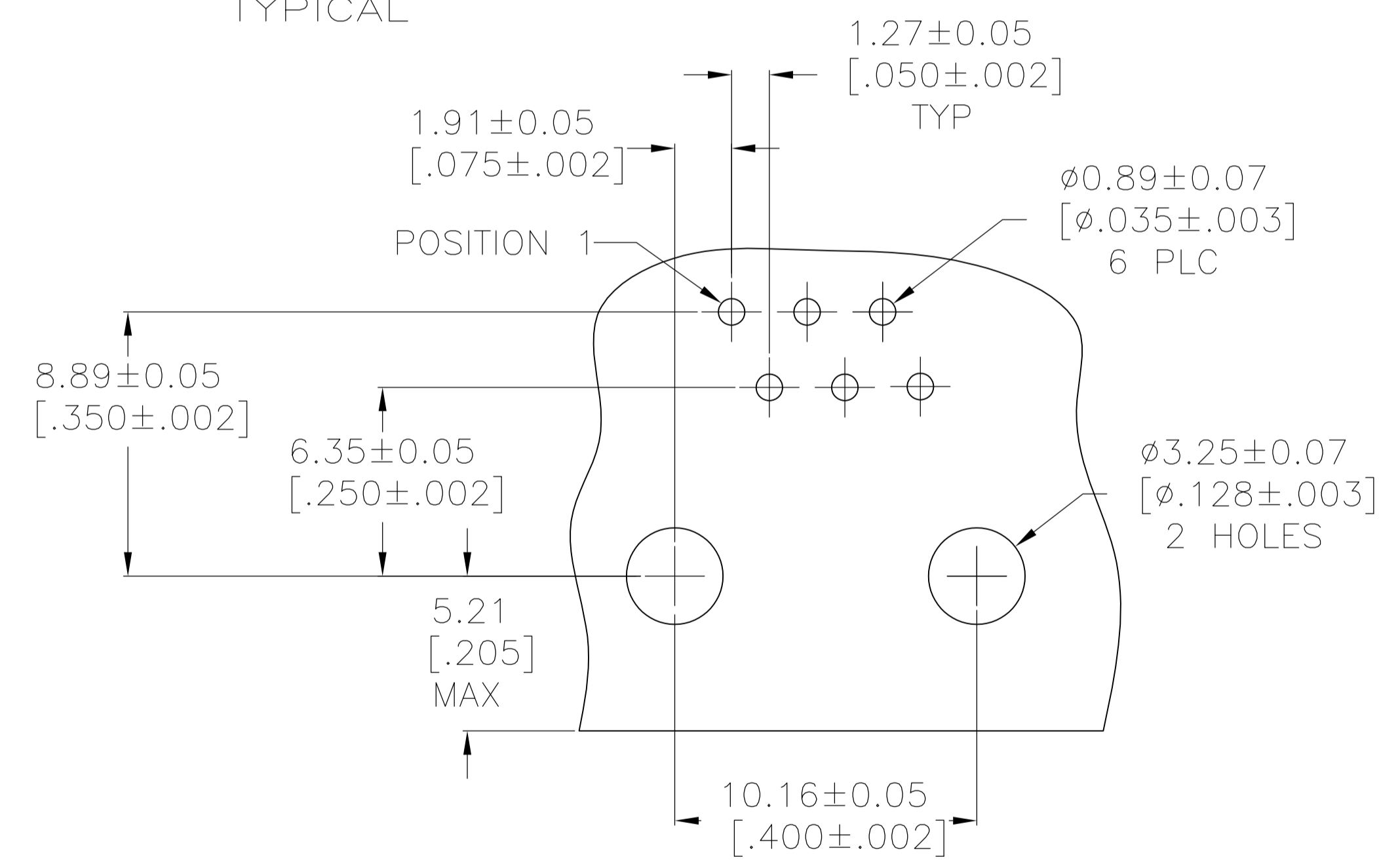
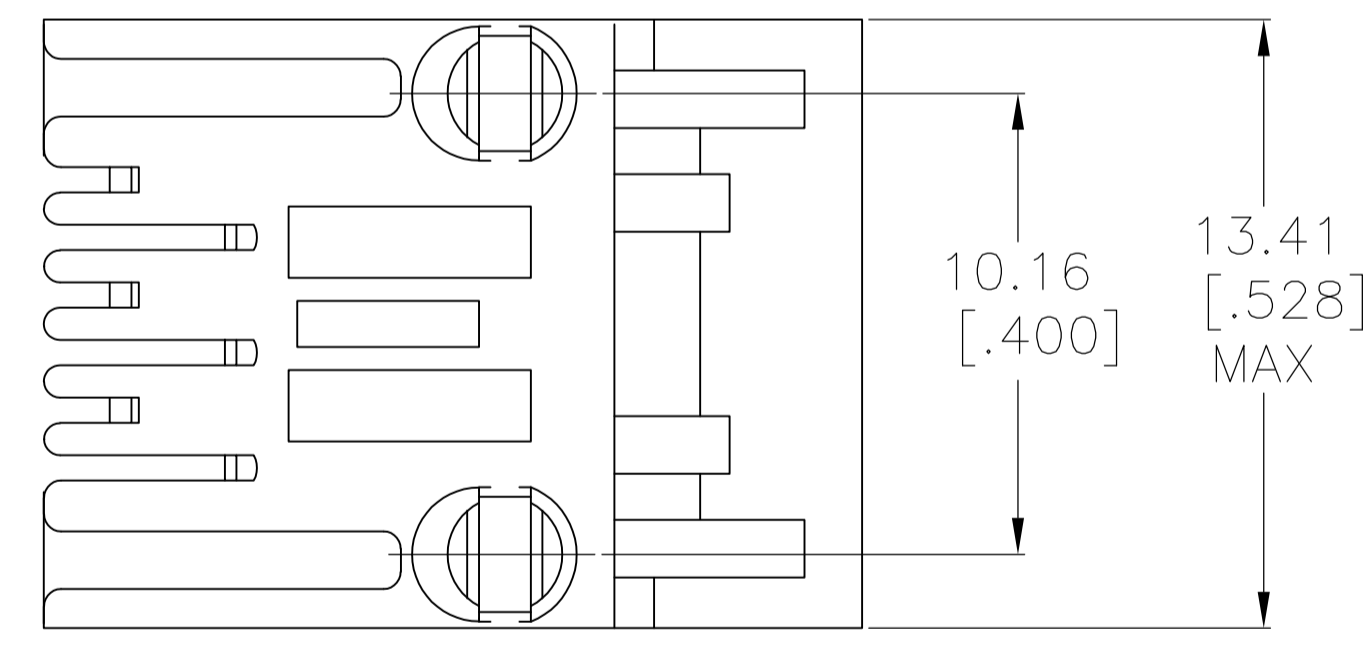
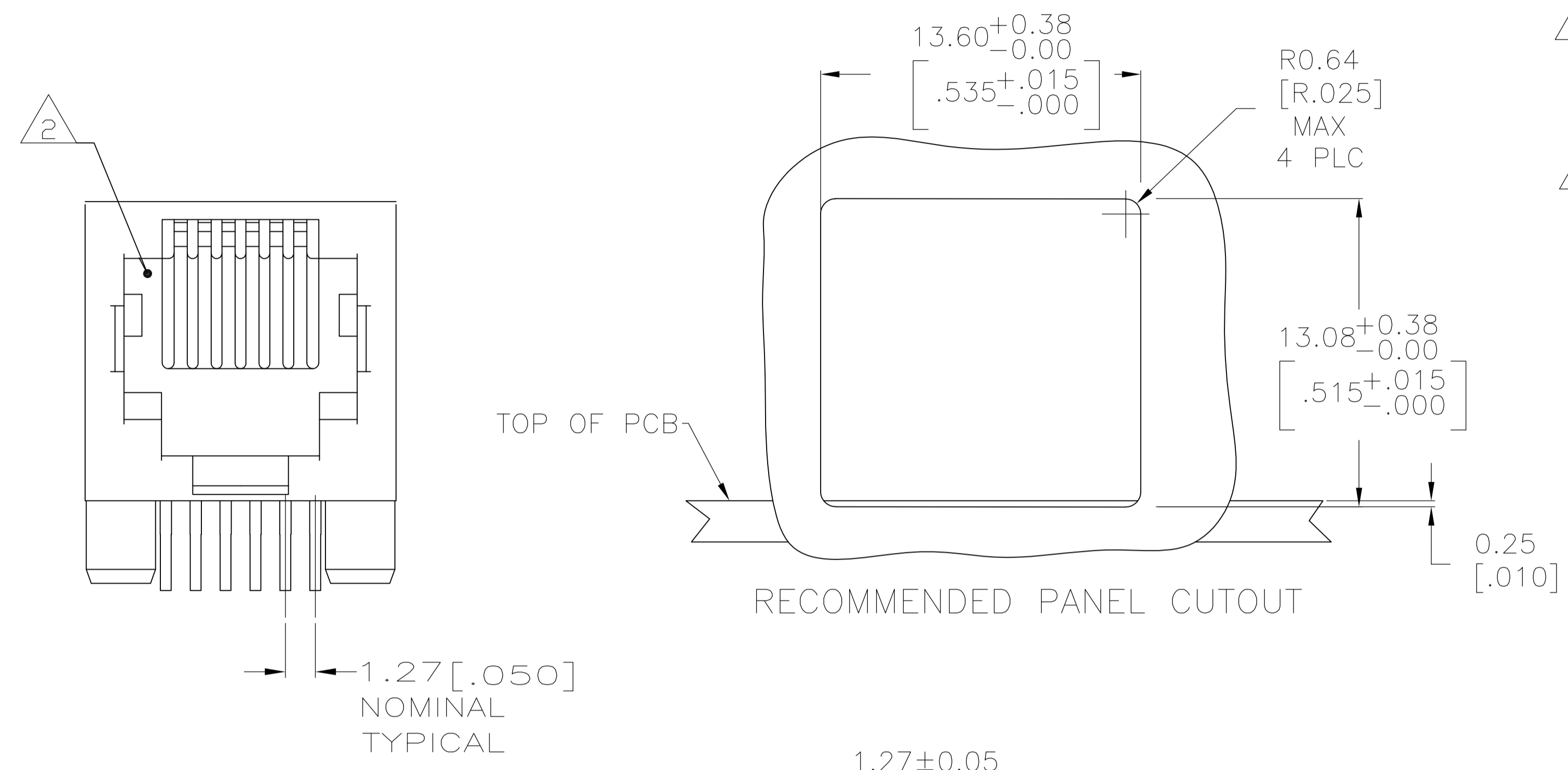
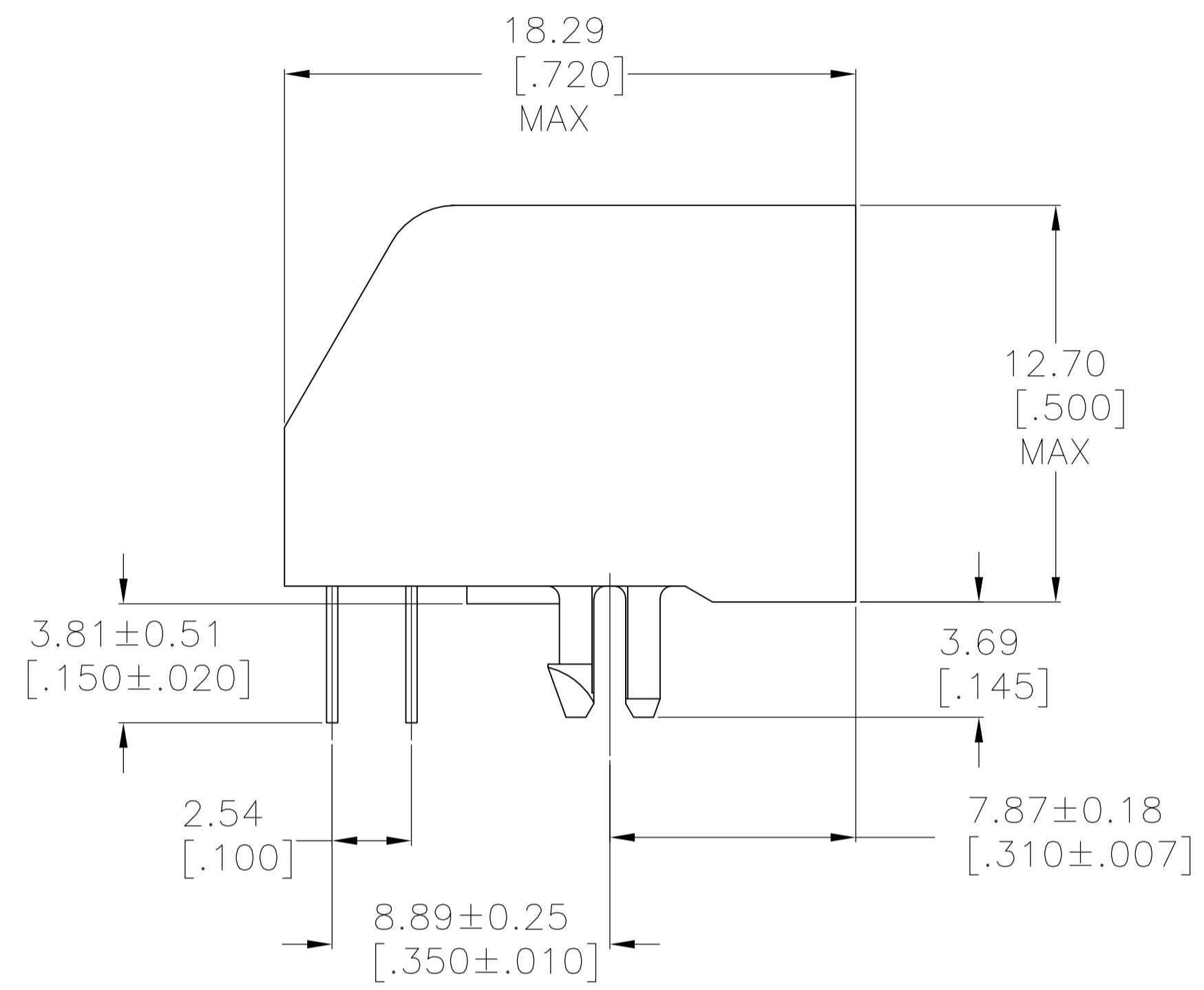
- [Email or Chat With Us](#)
- [Find a Phone Number](#)
- [Knowledge Base](#)
- [Manage Your Account](#)

Keep Me Informed



LOC		DIST		REVISONS			
GP	00	REV	DATE	BY	CHK	APPV	
E2	REVISED PER ECO-12-014371		15NOV2012	CJV	PAR		

- MATERIAL: HOUSING - PBT POLYESTER, COLOR: BLACK
 TERMINAL - 0.35[.0138] THICK PHOS BRONZE
 PLATED WITH 1.27 μ m[.000050] THICK
 HARD GOLD IN LOCALIZED GOLD PLATE AREA AND
 2.03 μ m[.000080] THICK MATTE TIN IN SOLDER
 AREA OVER 1.27 μ m[.000050] THICK NICKEL
 UNDERPLATE.
- CAVITY CONFORMS TO FCC RULES AND REGULATIONS
 PART 68, SUBPART F.
- BULK PACKAGED IN A TRAY.
- TERMINALS FOR 5555165-2 AND -5 LOCATED IN
 CENTER POSITIONS.



RECOMMENDED PRINTED CIRCUIT BOARD LAYOUT
 COMPONENT SIDE SHOWN

OBsolete	DEC GREY	4	4	5555165-8
	BLACK	2	6	5555165-5
	BLACK	4	4	5555165-2
	BLACK	6	4	5555165-1
	COLOR	TERMINALS REQUIRED		PART NUMBER

THIS DRAWING IS A CONTROLLED DOCUMENT. DIMENSIONING AND TOLERANCING PER ASME Y14.5M-2009.

DIMENSIONS: mm [INCHES]	TOLERANCES UNLESS OTHERWISE SPECIFIED: 0 PLC ± - 1 PLC ± - 2 PLC ± 0.13[.005] 3 PLC ± - 4 PLC ± - ANGLES ± -	APPROVED: S. FLICKINGER DATE: 08JUNE2005	NAME: J. WESTMAN
MATERIAL: SEE NOTE 1	FINISH: SEE NOTE 1	WEIGHT: -	SIZE: A1

CUSTOMER DRAWING
 SCALE: 6:1
 SHEET: 1 OF 1
 REV: E2

D. STRAUSSER / L.A. MAYER
 S. FLICKINGER
 J. WESTMAN
 S. FLICKINGER
 08JUNE2005
 08JUNE2005
 MODULAR JACK ASSEMBLY,
 6 POSITION, LOW PROFILE, RIGHT
 ANGLE, WITHOUT PANEL STOPS
 108-1163
 114-2048
 5555165

STE TE Connectivity