

Distributed by:

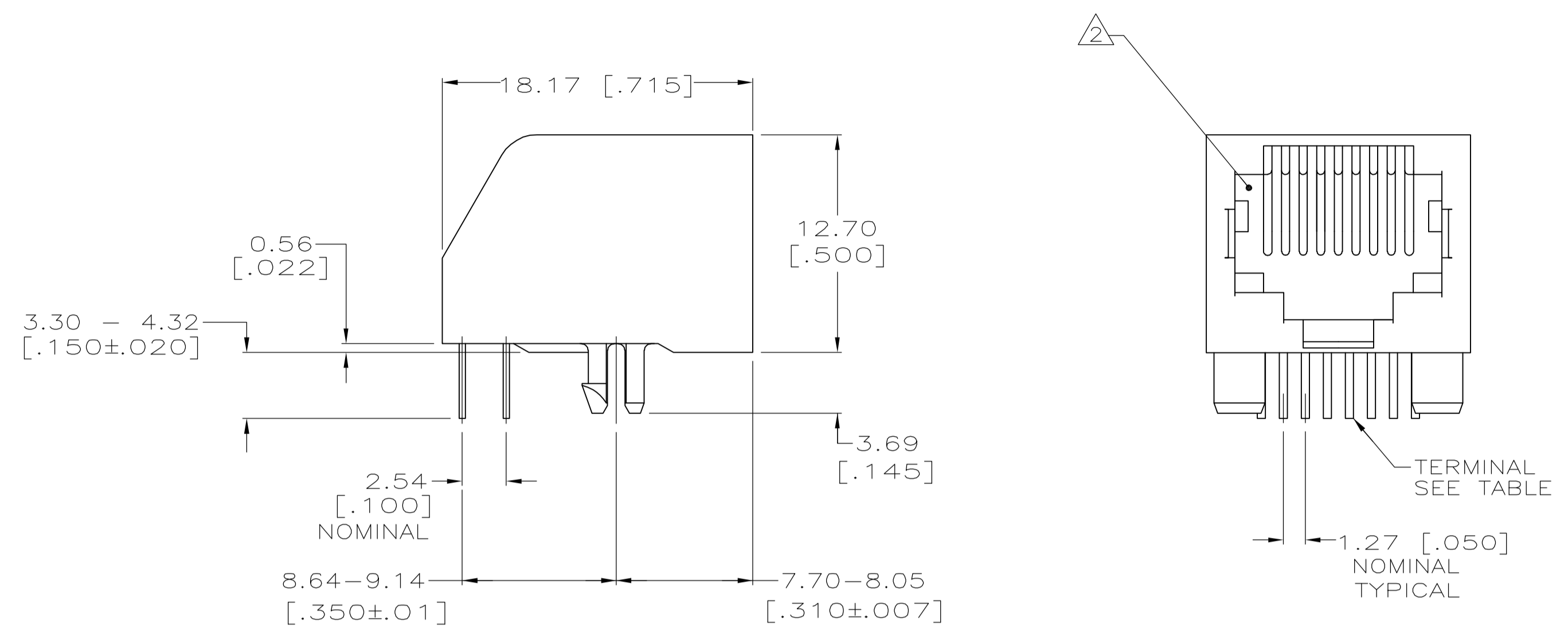
JAMECO[®]
ELECTRONICS

www.Jameco.com ♦ 1-800-831-4242

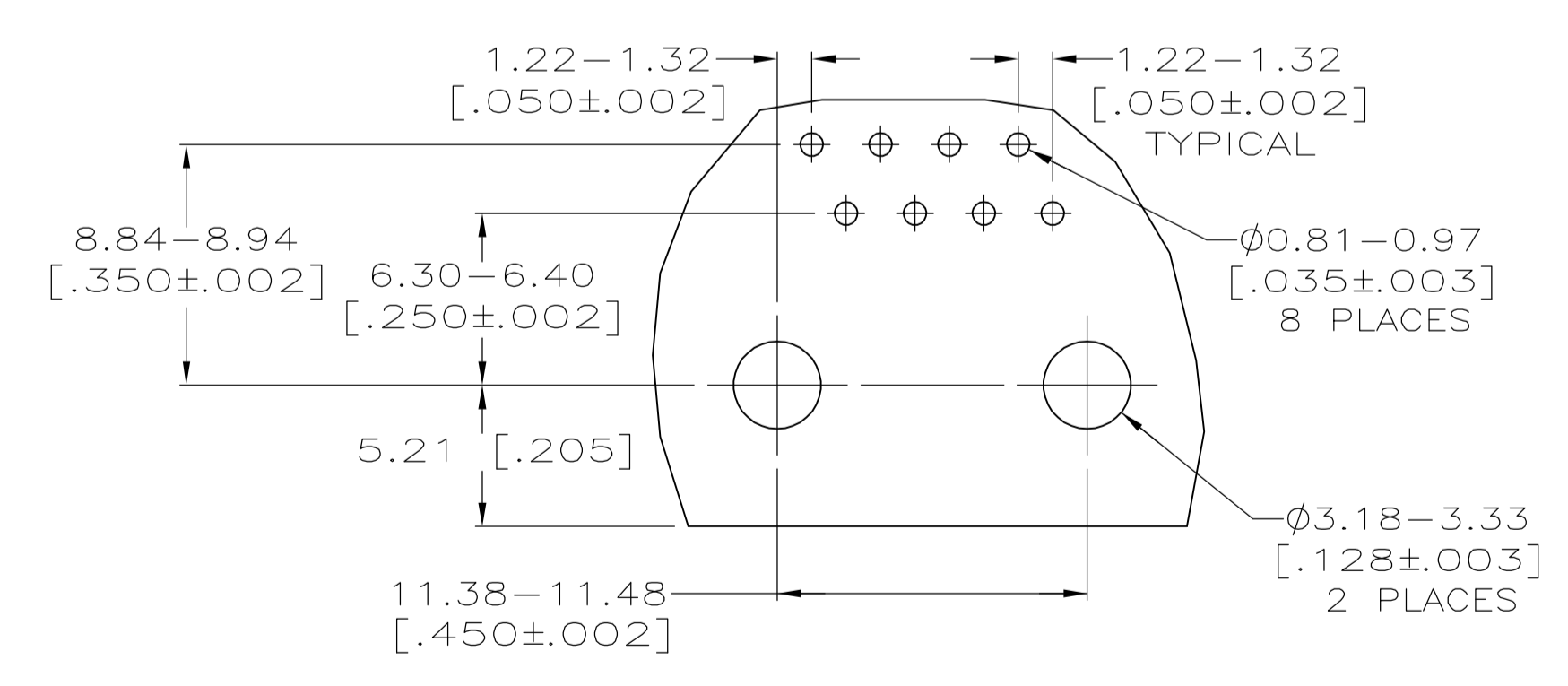
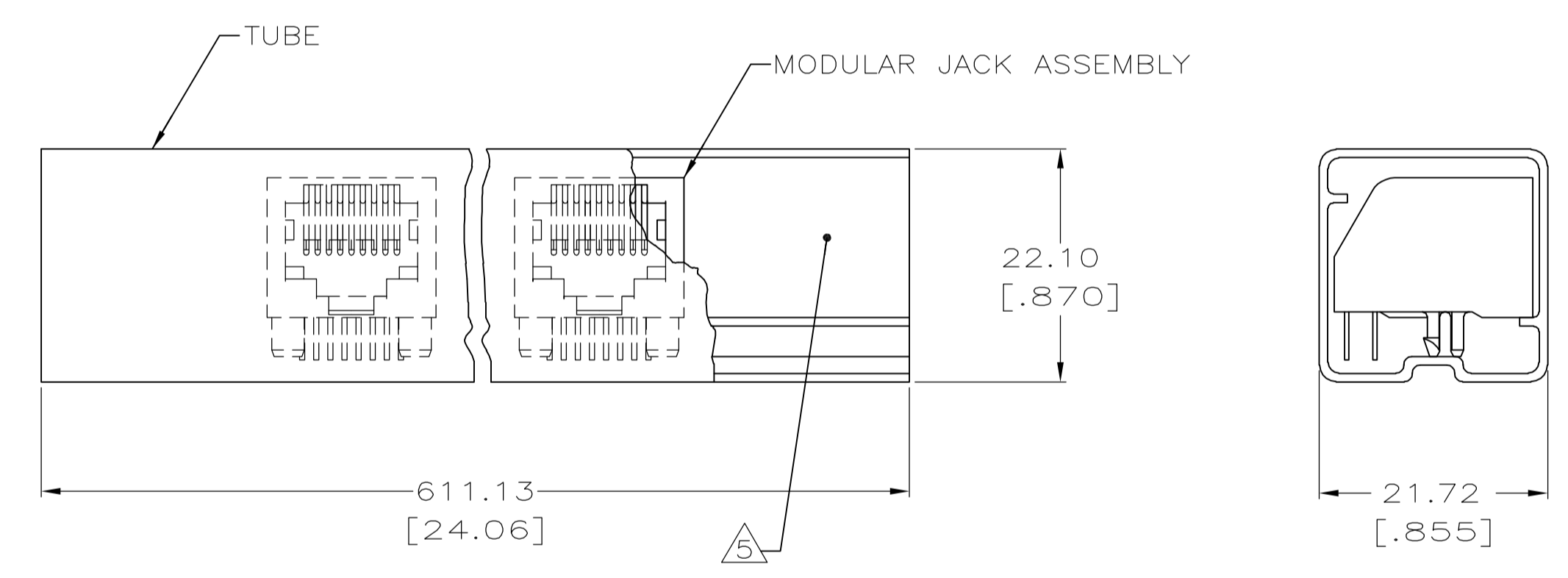
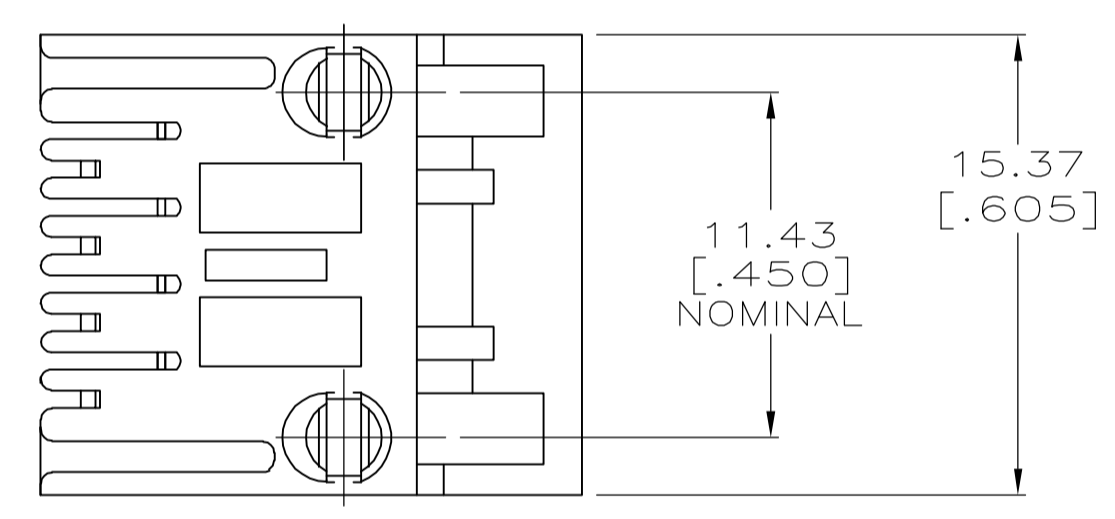
The content and copyrights of the attached
material are the property of its owner.

Jameco Part Number 958366

| LOC | DIST | REVISIONS | | | |
|-----|------------|--------------|-----------|-----|------|
| P | LTR | DESCRIPTION | DATE | OWN | APVD |
| A | REV PER EC | OS11-0201-04 | 08JUN2005 | GA | SF |



- 1 MATERIAL:
 HOUSING - PBT POLYESTER, SEE TABLE.
 TERMINAL - 0.36 [.014] THICK PHOS BRONZE PLATED WITH 1.27µm [.000050] MINIMUM THICK HARD GOLD IN LOCALIZED GOLD PLATE AREA AND 2.03µm [.000080] MINIMUM THICK MATTE TIN IN SOLDER AREA OVER 1.27µm [.000050] THICK NICKEL UNDERPLATE.
- 2 CAVITY CONFORMS TO FCC RULES AND REGULATIONS PART 68, SUBPART F.
- 3 DIMENSIONS ARE MAXIMUM UNLESS OTHERWISE SPECIFIED.
- 4 BULK PACKAGED IN A TRAY.
- 5 37 ASSEMBLIES PACKAGED PER TUBE, SEE DETAIL B.



| | | | | |
|----------|---------------|--------------------|-------------|-----------|
| 4 | 5 | BLACK | 8 | 5555164-4 |
| 4 | 5 | BLACK | 8 | 5555164-1 |
| PACKAGED | HOUSING COLOR | TERMINALS REQUIRED | PART NUMBER | |

THIS DRAWING IS A CONTROLLED DOCUMENT.

| | | | | |
|--|---------------------------|------------------|--|-------|
| DW | G. ATTADIA - 08JUN2005 | | Tyco Electronics Corporation | |
| CHK | S. WESTMAN - 08JUN2005 | | Harrisburg, PA 17105-3608 | |
| APPD | S. FLICKINGER - 08JUN2005 | NAME | MODULAR JACK ASSEMBLY, 8 POSITION, LOW PROFILE, RIGHT ANGLE, WITHOUT PANEL STOPS | |
| DIMENSIONS: INCHES | | PRODUCT SPEC | 108-1163 | |
| TOLERANCES UNLESS OTHERWISE SPECIFIED: | | APPLICATION SPEC | 114-2048 | |
| 0 PLC | ± - | SIZE | A1 | 00779 |
| 1 PLC | ± - | CAGE CODE | 5555164 | |
| 2 PLC | ± - | DRAWING NO | - | |
| 3 PLC | ± - | RESTRICTED TO | - | |
| 4 PLC | ± - | WEIGHT | - | |
| ANGLES | ± - | CUSTOMER DRAWING | SCALE 4:1 SHEET 1 OF 1 REV A | |
| FINISH | ± - | | | |