

Distributed by:

JAMECO[®]
ELECTRONICS

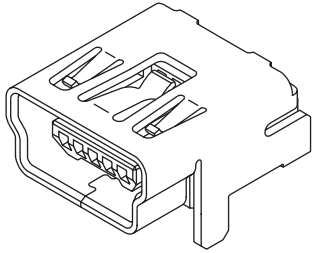
www.Jameco.com ♦ 1-800-831-4242

The content and copyrights of the attached
material are the property of its owner.

Jameco Part Number 2032532

mini-B™ USB On-the-Go (OTG) Shielded I/O Receptacle

54819



Circuits	Order No.	Lead-free
5	54819-0519	Yes

Features and Benefits

- Approximately 1/8 the size of standard USB-B connectors
- Fully compliant with current USB 2.0 specifications
- Compact and lightweight design meets various portable and mobile equipment needs
- Operates at speeds up to 480 Mbps
- Rugged durability up to 5,000 cycles

Reference Information

Product Specification: PS-54819-010
Packaging: Tray
Mates With: 59204-9405, 59205-3301
Designed In: Millimeters

Electrical

Voltage: 30V
Current: 1.0A
Contact Resistance: 50 milliohms max.
Dielectric Withstanding Voltage: 100V AC/1 min.
Insulation Resistance: 100 Megohms min.

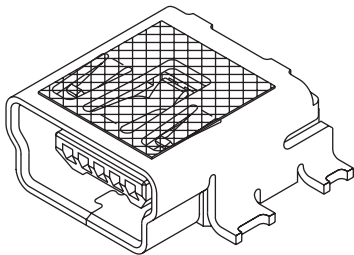
Physical

Housing: Black glass-filled Polyphthal Amide, UL 94V-0
Contact: Copper Alloy
Plating: Contact Area—0.75µm (30µ") min. Gold
Solder Tail Area—Tin
Underplating—Nickel
Shield Case: Copper Alloy, Tin over Nickel plating
Operating Temperature: 0 to +50°C

mini-B™ USB On-the-Go (OTG) Shielded I/O Receptacle

54819

With Cover Tape
SMT



Circuits	Order No.	Carrier Tape Width	Lead-free
5	54819-0572	24.00 (.945)	Yes

Features and Benefits

- Approximately 1/8 the size of standard USB-B connectors
- Fully compliant with current USB 2.0 specifications
- Compact and lightweight design meets various portable and mobile equipment needs
- Operates at speeds up to 480 Mbps
- Rugged durability up to 5,000 cycles

Reference Information

Product Specification: PS-54819-010
Packaging: Embossed tape
Mates With: 59204-9405, 59205-3301
Designed In: Millimeters

Electrical

Voltage: 30V
Current: 1.0A
Contact Resistance: 50 milliohms max.
Dielectric Withstanding Voltage: 100V AC/1 min.
Insulation Resistance: 100 Megohms min.

Physical

Housing: Black glass-filled Polyphthal Amide, UL 94V-0
Contact: Copper Alloy
Plating: Contact Area—0.75µm (30µ") min. Gold
Solder Tail Area—Tin
Underplating—Nickel
Shield Case: Copper Alloy, Tin over Nickel plating
Cover Tape: Polyimide
Operating Temperature: 0 to +50°C



PRODUCT SPECIFICATION



LANGUAGE

JAPANESE
ENGLISH

【3. 定格 RATINGS】

項目 Item	規格 Standard	
最大許容電圧 Rated Voltage (Maximum)	30V	[AC (実効値 rms) / DC]
最大許容電流 Rated Current (Maximum)	1.0A	
使用温度範囲 Ambient Temperature Range	0°C ~ +50 °C * 1 From 0 to +50 °C	
保存温度範囲 Shipping and Storage Temperature Range	-20°C ~ +60 °C * 1 From -20 to +60 °C	

* 1 : 通電による温度上昇分も含む。
Including terminal temperature rise.

【4. 性能 PERFORMANCE】

標準状態：指定がない限り測定は温度5~35°C、湿度45~85%、気圧85~106kPaにて行う。

Standard atmospheric conditions:

Unless otherwise specified, the standard range of atmospheric conditions for making measurements and tests are as follows.

Ambient temperature : 5°C to 35°C
Relative humidity : 45% to 85%
Air pressure : 85kPa to 106kPa

以下の項目に関して、特に指定の無い場合嵌合相手は59205シリーズとする。
Regarding following test condition, Mated connector is 59205 series unless otherwise specified.

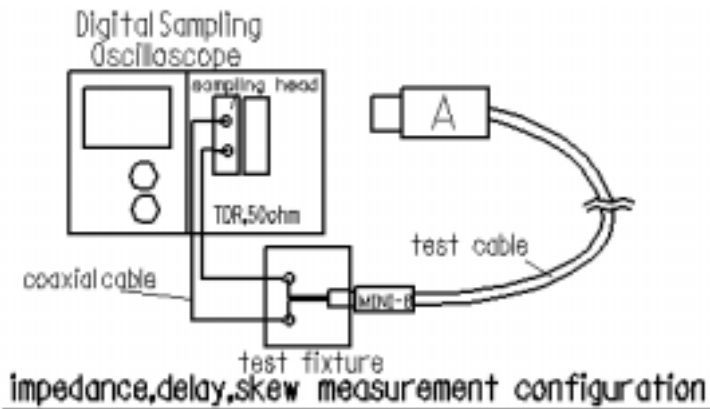
B	REVISE ON PC ONLY REVISED J2005-1485 2004/11/18 N.AIDA	TITLE: USB SERIES MINI-A TO MINI-B	-LEAD FREE- 製品仕様書
	REV. DESCRIPTION	THIS DOCUMENT CONTAINS INFORMATION THAT IS PROPRIETARY TO INC. AND MUST NOT BE USED WITHOUT WRITTEN PERMISSION	
DOCUMENT NUMBER PS-56579-015		FILENAME PS56579015.LWP	SHEET 2 OF 15
ES-4000-3996 REV. A SHEET 4 95/MAR/10 EC U5-0926 DCBRD03.LWP			W to B 3 EN-37-1(019)



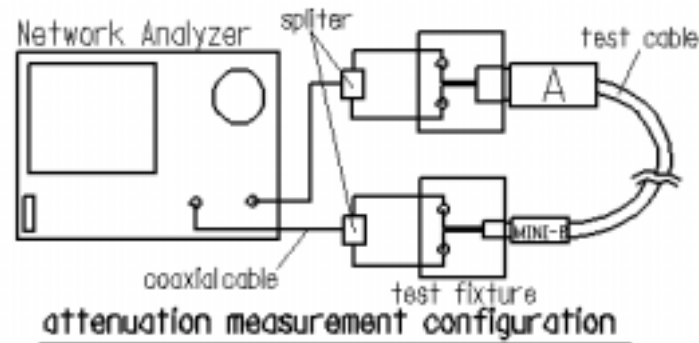
4-1. 電氣的性能 Electrical Performance

項目 Item	条件 Test Condition	規格 Requirement
4-1-1 接触抵抗 Contact Resistance	コネクタを嵌合させ、開放電圧 20mV 以下、短絡電流 100mA 以下にて測定する。但し電線の導体抵抗は除く。(EIA-364-23) Mate connectors, measure by dry circuit, 20mV maximum, 100mA maximum. Except wire conductor resistance.(EIA-364-23)	50 milliohm maximum 初期及び5000回挿抜後 Initial and afterMate/ Un-mate 5000 cycles
4-1-2 絶縁抵抗 Insulation Resistance	コネクタを嵌合及び未嵌合状態にし、隣接するターミナル間及びターミナル、アース間に DC 100V を印加し測定する。(EIA-364-21) Mate/un-mate connectors, apply 100V DC between adjacent terminals or ground. (EIA-364-21)	100 Megohm minimum
4-1-3 耐電圧 Dielectric Strength	コネクタを嵌合及び未嵌合状態にし、隣接するターミナル間及びターミナル、アース間に AC(rms) 100V (実効値)を 1分間 印可する。(EIA-364-20) Mate/Un-mate connectors, apply 100V AC(rms) for 1 minute between adjacent terminals or ground.(EIA-364-20)	異状なきこと No Breakdown
4-1-4 温度上昇 Temperature Rise	コネクタを嵌合させ、最大許容電流を通電し、コネクタの温度上昇分を測定する。(EIA-364-70) Mate connectors and measure the temperature rise of contact when the maximum AC rated current is passed. (EIA-364-70)	温度上昇 Temperature Rise 30°C maximum
4-1-5 静電容量 Capacitance	未嵌合コネクタの隣接する回路間を 1kHz で測定する。(EIA-364-30) Measured between adjacent circuits of unmated connectors at 1kHz.(EIA-364-30)	2pF maximum
4-1-6 ケーブルインピーダンス Cable Impedance	試験治具にケーブルを繋ぎ、TDRにて測定する。装置は次ページ参照。 Connect the cable to test fixture, measure by TDR. Measurement configuration are next pages.	<USB1.1> Diff.Impedance(rt=4ns) 76.5~103.5 ohms <USB2.0> Diff.Impedance(rt=0.5ns) 76.5~103.5 ohms Com.Impedance(rt=0.5ns) 21~39 ohms

REVISE ON PC ONLY		TITLE: USB SERIES MINI-A TO MINI-B	
B	REVISED	-LEAD FREE- 製品仕様書	
	J2005-1485 2004/11/18 N.AIDA		
REV.	DESCRIPTION	THIS DOCUMENT CONTAINS INFORMATION THAT IS PROPRIETARY TO INC. AND MUST NOT BE USED WITHOUT WRITTEN PERMISSION	
DOCUMENT NUMBER PS-56579-015		FILENAME PS56579015.LWP	SHEET 3 OF 15
ES-4000-3996 REV. A SHEET 4 95/MAR/10 EC U5-0926 DCBRD03.LWP			W to B 3 EN-37-1(019)



Frequency (MHz)	Attenuation [max.] (dB/cable)
0.064	0.08
0.256	0.11
0.512	0.13
0.772	0.15
1	0.20
4	0.39
8	0.57
12	0.67
24	0.95
48	1.35
96	1.90
※ 200	3.20
※ 400	5.80



※ <USB2.0>

項目 Item	条件 Test Condition	規格 Requirement
4-1-7 減衰量 Attenuation	試験治具にコネクタを嵌合させ、ネットワークアナライザにて測定する。装置は上記参照。 Connect connector to attenuation test fixture, measure by Network Analyzer. Measurement configuration are upper pages.	上記参照 Reference upper pages
4-1-8 伝播遅延 Propagation Delay	試験治具にケーブルを繋ぎ、TDRにて測定する。装置は上記参照。 Connect the cable to test fixture, measure by TDR. Measurement configuration are upper pages.	<USB 1.1> 26ns/cable max. <USB 2.0> 5.2ns/m max.
4-1-9 伝播遅延差 Propagation Delay Skew	試験治具にケーブルを繋ぎ、TDRにて測定する。装置は上記参照。 Connect the cable to test fixture, measure by TDR. Measurement configuration are upper pages.	<USB 1.1> 400ps/cable max. <USB 2.0> 100ps/cable max.

REVISE ON PC ONLY	
B	REVISED
	J2005-1485
	2004/11/18
	N.AIDA
REV.	DESCRIPTION

TITLE:	USB SERIES MINI-A TO MINI-B
-LEAD FREE-	
製品仕様書	
THIS DOCUMENT CONTAINS INFORMATION THAT IS PROPRIETARY TO INC. AND MUST NOT BE USED WITHOUT WRITTEN PERMISSION	

DOCUMENT NUMBER	FILENAME	SHEET
PS-56579-015	PS56579015.LWP	4 OF 15



PRODUCT SPECIFICATION



LANGUAGE

JAPANESE
ENGLISH

4-2. 機械的性能、その他 Mechanical Performance and others

項目 Item		条件 Test Condition	規格 Requirement	
4-2-1	初回挿入力／ 初回抜去力 First Time Mating and First Time Un-mating Force	1分間に 12.5mm以下の速さで挿入、抜去する。 (EIA-364-13) Mate and un-mate connector at maximum rate of 12.5mm per minute. (EIA-364-13)	初回挿入力 First Time Mating Force	35N (3.57kgf) maximum
			初回抜去力 First Time Un-Mating Force	7N (0.71kgf) minimum
4-2-2	繰り返し挿抜 Repeated Mate / Unmate	1時間に 200回以下の速さで挿入、抜去を 5000回繰り返す。 (EIA-364-09) Mate and unmate up to 5000 cycles repeatedly at maximum rate of 200 cycles per hour. (EIA-364-09)	外観 Appearance	異常なきこと No Breakdown
			接触抵抗 Contact Resistance	50 milliohm maximum
			挿入力 Mating Force	1~5000 Cycles 35N (3.57kgf) maximum
			抜去力 Un-Mating Force	1 Cycle 7N (0.71kgf) minimum 2~5000 Cycles 3N (0.30kgf) minimum
4-2-3	ケーブル保持力 Cable Pull-Out	コネクタに装着されたケーブルを軸上に 50Nで1分間引っ張る。(USB:40N,1分間) (EIA-364-38) Apply axial pull out force on the cable assembled in the connector at a rate of 50N for 1 minute.(USB:40N,1minute) (EIA-364-38)	外観 Appearance	異常なきこと No Breakdown
			接触抵抗 Contact Resistance	50 milliohm maximum
4-2-4	ターミナル保持力 Terminal Retention Force	ハウジングに装着されたターミナルを毎分 25±3mmの速さで引っ張る。 Apply axial pull out force on the terminal assembled in the housing at a rate of 25±3mm/minute.	4N(0.41kgf) minimum	
4-2-5	耐屈曲性 Crooked	規定の荷重を加え、左右各1回と数え、規定回数行う。(第10項参照) Suspend a specified weight from the code and swing the board specified number of times at a specific rate. Swinging one way is counted as one time.(refer to 10 clause) 荷重 Weight:4.9N(0.5kgf) 角度 Angle :60° 屈曲回数 Flexing:2000cycles	電線の破損、芯線の断線等、異常の無いこと。 (断線率100%未満) No damage such as breaks of exposure of conductor. Insulation damage,etc. (Percentage of broken wires should not be up to 100%)	

REVISE ON PC ONLY		TITLE: USB SERIES MINI-A TO MINI-B	
B	REVISED	-LEAD FREE- 製品仕様書	
	J2005-1485 2004/11/18 N.AIDA		
REV.	DESCRIPTION	THIS DOCUMENT CONTAINS INFORMATION THAT IS PROPRIETARY TO INC. AND MUST NOT BE USED WITHOUT WRITTEN PERMISSION	
DOCUMENT NUMBER PS-56579-015		FILENAME PS56579015.LWP	SHEET 5 OF 15
ES-4000-3996 REV. A SHEET 4 95/MAR/10 EC U5-0926 DCBRD03.LWP			W to B 3 EN-37-1(019)



PRODUCT SPECIFICATION



LANGUAGE

JAPANESE
ENGLISH

項目 Item		条件 Test Condition	規格 Requirement	
4-2-6	耐振動性 Vibration	DC 100mA 通電状態にて、第6項に示す振動を嵌合軸を含む互いに垂直な3方向に各15分間加える。 (EIA-364-28) Mate connectors and subject to the following vibration conditions (refer to 6 clause), for a period of 15 minutes in each of 3 mutually perpendicular axes, passing DC 100mA during the test. (EIA-364-28)	外観 Appearance	異状なきこと No Damage
			接触抵抗 Contact Resistance	50 milliohm maximum
			瞬断 Discontinuity	1.0 microsecond maximum
4-2-7	耐衝撃性 Shock	DC 100mA 通電状態にて、嵌合軸を含む互いに垂直な6方向に294m/s ² {30G}の衝撃を各3回加える。 (EIA-364-27) Mate connectors and subject to the following shock conditions. 3 shocks shall be applied along 3 mutually perpendicular axes, passing DC 100mA current during the test. (Total of 18 shocks) Test pulse : Half Sine Peak value : 294m/s ² {30G} Duration : 11ms (EIA-364-27)	外観 Appearance	異状なきこと No Damage
			接触抵抗 Contact Resistance	50 milliohm maximum
			瞬断 Discontinuity	1.0 microsecond maximum
4-2-8	耐熱性 Heat Resistance	コネクタを嵌合させ、85±2℃の雰囲気中に250時間放置後取り出し、1~2時間室温に放置する。 (EIA-364-17) Mate connectors and expose to 85±2 degree centigrade for 250 hours. Upon completion of the exposure period, the test specimens shall be conditioned at ambient room conditions for 1 to 2 hours, after which the specified measurements shall be performed. (EIA-364-17)	外観 Appearance	異状なきこと No Damage
			接触抵抗 Contact Resistance	50 milliohm maximum
			耐電圧 Dielectric Strength	4-1-3項満足のこと Must meet 4-1-3
			絶縁抵抗 Insulation Resistance	4-1-2項満足のこと Must meet 4-1-2

REVISE ON PC ONLY		TITLE: USB SERIES MINI-A TO MINI-B	
B	REVISED	-LEAD FREE- 製品仕様書	
	J2005-1485		
	2004/11/18	THIS DOCUMENT CONTAINS INFORMATION THAT IS PROPRIETARY TO INC. AND MUST NOT BE USED WITHOUT WRITTEN PERMISSION	
	N.AIDA		
REV.	DESCRIPTION		
DOCUMENT NUMBER		FILENAME	SHEET
PS-56579-015		PS56579015.LWP	6 OF 15
ES-4000-3996 REV. A SHEET 4 95/MAR/10 EC U5-0926 DCBRD03.LWP			W to B 3
EN-37-1(019)			



PRODUCT SPECIFICATION



LANGUAGE

JAPANESE
ENGLISH

項目 Item		条件 Test Condition	規格 Requirement	
4-2-9	耐寒性 Cold	コネクタを嵌合させ、-55±2℃の 雰囲気中に96時間放置後取り出し、 1～2時間室温に放置する。 Mate connectors and expose to -55±2 degree centigrade for 96 hours. Upon completion of the exposure period, the test specimens shall be conditioned at ambient room conditions for 1 to 2 hours, after which the specified measurements shall be performed.	外観 Appearance	異常なきこと No Damage
			接触抵抗 Contact Resistance	50 milliohm maximum
			耐電圧 Dielectric Strength	4-1-3項満足のこと Must meet 4-1-3
			絶縁抵抗 Insulation Resistance	4-1-2項満足のこと Must meet 4-1-2
4-2-10	耐湿性 Humidity	コネクタを嵌合させ、第7項に示す 耐湿性サイクル試験（7サイクル）後 取り出し、1～2時間室温に放置する。 (EIA-364-31 Method III) Mate connectors and expose to humidity in 7 cycles at 7 clause. Upon completion of the exposure period, the test specimens shall be conditioned at ambient room conditions for 1 to 2 hours, after which the specified measurements shall be performed. (EIA-364-31 Method III)	外観 Appearance	異常なきこと No Damage
			接触抵抗 Contact Resistance	50 milliohm maximum
			耐電圧 Dielectric Strength	4-1-3項満足のこと Must meet 4-1-3
			絶縁抵抗 Insulation Resistance	4-1-2項満足のこと Must meet 4-1-2

REVISE ON PC ONLY		TITLE: USB SERIES MINI-A TO MINI-B	
B	REVISED	-LEAD FREE- 製品仕様書	
	J2005-1485		
	2004/11/18	THIS DOCUMENT CONTAINS INFORMATION THAT IS PROPRIETARY TO INC. AND MUST NOT BE USED WITHOUT WRITTEN PERMISSION	
	N.AIDA		
REV.	DESCRIPTION		
DOCUMENT NUMBER		FILENAME	SHEET
PS-56579-015		PS56579015.LWP	7 OF 15
ES-4000-3996 REV. A SHEET 4 95/MAR/10 EC U5-0926 DCBRD03.LWP			W to B 3
EN-37-1(019)			



PRODUCT SPECIFICATION



LANGUAGE

JAPANESE
ENGLISH

項目 Item		条件 Test Condition	規格 Requirement	
4-2-11	温度サイクル Temperature Cycling	<p>コネクタを嵌合させ、-55±3 °C に 30分 +85±2 °C に 30分、これを 1サイクル とし、5サイクル 繰り返す。但し、温度移行時間は 10～15分以内 とする。試験後 1～2時間 室温に放置する。</p> <p>Mate connectors and subject to the following conditions for 5 cycles. Upon completon of the exposure period, the specimens shall be conditioned at ambient room conditions for 1 to 2 hours, after which the specified measurements shall be performed.</p> <p>1 cycle a) -55±3 °C 30 minutes b) +85±2 °C 30 minutes Transit time shall be within 10 to 15 minutes.</p>	外観 Appearance	異常なきこと No Damage
			接触抵抗 Contact Resistance	50 milliohm maximum
			耐電圧 Dielectric Strength	4-1-3項満足のこと Must meet 4-1-3
			絶縁抵抗 Insulation Resistance	4-1-2項満足のこと Must meet 4-1-2
4-2-12	塩水噴霧 Salt Spray	<p>コネクタを嵌合させ、35±2 °C にて 5±1% 重量比の塩水を 48±4時間 噴霧し 試験後常温で水洗いした後、室温で乾燥させる。 (JIS C5028/MIL-STD-202 試験法101)</p> <p>Mate connectors and expose to the following salt mist conditions. Upon completon of the exposure period, salt deposits shall be removed by a gentle wash or dip in running water which the specified measurements shall be performed.</p> <p>NaCl solution concentration:5±1% Spray time :48±4hours Ambient temperature :35±2 °C (JIS C5028/MIL-STD-202 Method101)</p>	外観 Appearance	目視にて著しいサビが無いこと By visual linspection without noticeable rust.
			接触抵抗 Contact Resistance	100 milliohm maximum
4-2-13	亜硫酸ガス SO ₂ Gas	<p>コネクタを嵌合させ、40±2 °C にて 50±5ppm の亜硫酸ガスに 24時間 放置する。</p> <p>Mate connectors and expose to 50±5ppm SO₂ Gas, ambient temperature 40±2 °C for 24 hours.</p>	外観 Appearance	異常なきこと No Damage
			接触抵抗 Contact Resistance	100 milliohm maximum

B	REVISE ON PC ONLY	TITLE: USB SERIES MINI-A TO MINI-B	-LEAD FREE-	製品仕様書	
	REVISED				THIS DOCUMENT CONTAINS INFORMATION THAT IS PROPRIETARY TO INC. AND MUST NOT BE USED WITHOUT WRITTEN PERMISSION
	J2005-1485 2004/11/18 N.AIDA				
REV.	DESCRIPTION	DOCUMENT NUMBER PS-56579-015	FILENAME PS56579015.LWP	SHEET 8 OF 15	
ES-4000-3996 REV. A SHEET 4 95/MAR/10 EC U5-0926 DCBRD03.LWP				W to B 3 EN-37-1(019)	



PRODUCT SPECIFICATION



LANGUAGE

JAPANESE
ENGLISH

項目 Item		条件 Test Condition	規格 Requirement	
4-2-14	硫化水素ガス H ₂ S Gas	コネクタを嵌合させ、35±2℃にて 相対湿度 80%、3±1ppm の硫化水素ガス に 96時間 放置する。 Mate connectors and expose to 3±1ppm H ₂ S Gas, ambient temperature 35±2℃, humidity approx 80% for 96 hours.	外観 Appearance	異常なきこと No Damage
			接触抵抗 Contact Resistance	100 milliohm maximum
4-2-15	非移行性 Migration	2枚のPS板(50x50x3)の間に20~30mm 間隔で60mmの長さの試料を2本置き、 これを2枚のガラス板に挟み、500gの オモリを乗せ暴露試験を行う。 (第9項参照) 20~30mm to for 2 sheets of Polystyrene migration boards(50x50x3) two data of the length of the role of 60mm are put in an interval and this putting it to 2 sheets of glass plates 500g of are loaded do a disclosure test (refer to 9 clause) 温度 Temperature : 60℃ 時間 Duration : 48h	P S 板に著しい移行跡が無い事 There shall not be remarkable conduct in a polystyrene migration board.	
4-2-16	半田付け性 Solderability	端子先端より 0.5mm の位置まで、 245±3℃ の半田に 3±0.5秒 浸す。 (EIA-364-52 Category 2) Dip soldertails into the molten solder [held at 245±3 degree centigrade] up to 0.5mm from the bottom of the housing for 3±0.5 seconds. (EIA-364-52 Category 2)	濡れ性 Solder Wetting	浸漬面積の95% minimum 95% of immersed area must show no voids, pin holes

REVISE ON PC ONLY

B

REVISED
J2005-1485
2004/11/18
N.AIDA

REV.

DESCRIPTION

TITLE: USB SERIES MINI-A TO MINI-B

-LEAD FREE-

製品仕様書

THIS DOCUMENT CONTAINS INFORMATION THAT IS PROPRIETARY TO
INC. AND MUST NOT BE USED WITHOUT WRITTEN PERMISSION

DOCUMENT NUMBER

PS-56579-015

FILENAME

PS56579015.LWP

SHEET

9 OF 15



PRODUCT SPECIFICATION



LANGUAGE

JAPANESE
ENGLISH

項目 Item	条件 Test Condition	規格 Requirement
4-2-17 半田耐熱性 Resistance to Soldering heat	<p>下記の他は、JIS C 0050 (方法1A または2) に準拠。 For procedures other than specified below, refer to IEC Pub. 68-2-20. Test Tb Method 1A or 2</p> <p><u>ディップ</u> Solder bath method 温度 : 260±5℃ 時間 : 10±1秒 Solder temperature :260±5℃ Immersion time:10±1 sec. 浸漬深さ : 基板面まで Thickness of printed wiring board プリント基板の厚さ : 0.8mm Thickness of P.C.B : 0.8mm</p> <p><u>手半田</u> Solder iron method 温度 : 370~400℃ 時間 : 最大5秒 Solder temperature :370-400℃ Immersion time: 5 sec. MAX.</p> <p>但し、端子に異状のないこと。 However,excessive pressure shall not be applied to the terminal.</p>	<p>外観の変形および端子などの著しいガタがなく、電気的性能を満足すること。 Without deformation of case or excessive looseness of the terminals(pin). Electrical characteristics shall be satisfied</p>
	<p>第8項のリフロー条件にて実施する。 Reference reflow condition at 8clause.</p>	

() : 参考規格 Reference Standard.
{ } : 参考単位 Reference Unit.

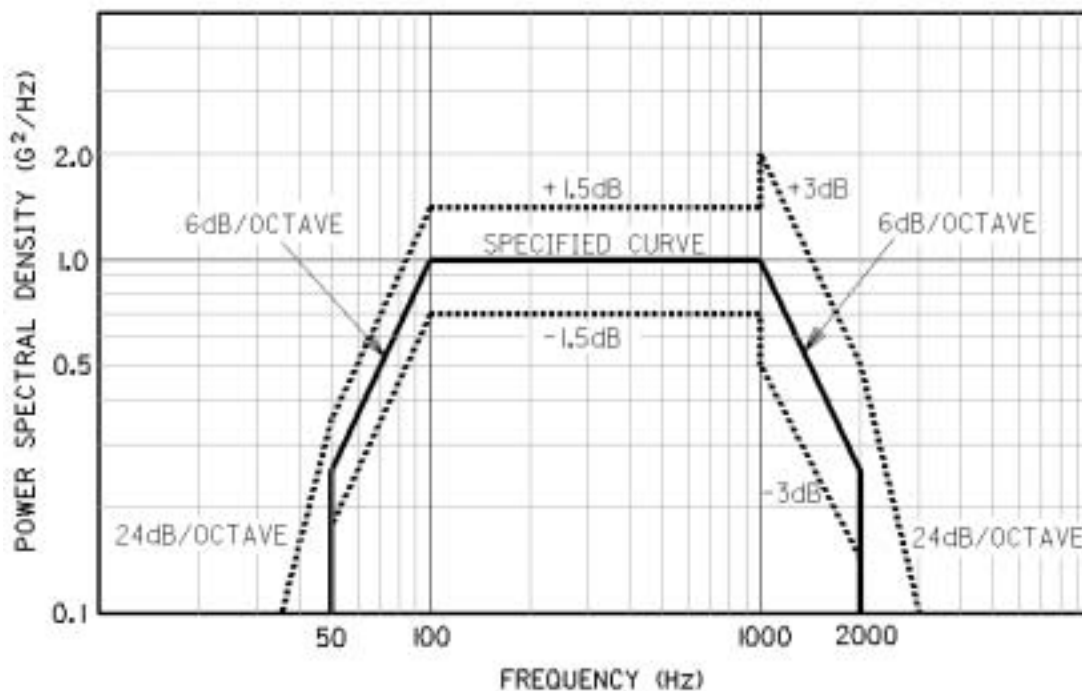
【5. 外観形状、寸法及び材質 PRODUCT SHAPE, DIMENSIONS AND MATERIALS】

図面参照 Refer to the drawing.

REVISE ON PC ONLY		TITLE: USB SERIES MINI-A TO MINI-B	
B	REVISED	-LEAD FREE- 製品仕様書	
	J2005-1485		
	2004/11/18	THIS DOCUMENT CONTAINS INFORMATION THAT IS PROPRIETARY TO INC. AND MUST NOT BE USED WITHOUT WRITTEN PERMISSION	
	N.AIDA		
REV.	DESCRIPTION		
DOCUMENT NUMBER		FILENAME	SHEET
PS-56579-015		PS56579015.LWP	10 OF 15
ES-4000-3996 REV. A SHEET 4 95/MAR/10 EC U5-0926 DCBRD03.LWP			W to B 3
EN-37-1(019)			



【 6. 振動条件 VIBRATION CONDITION 】

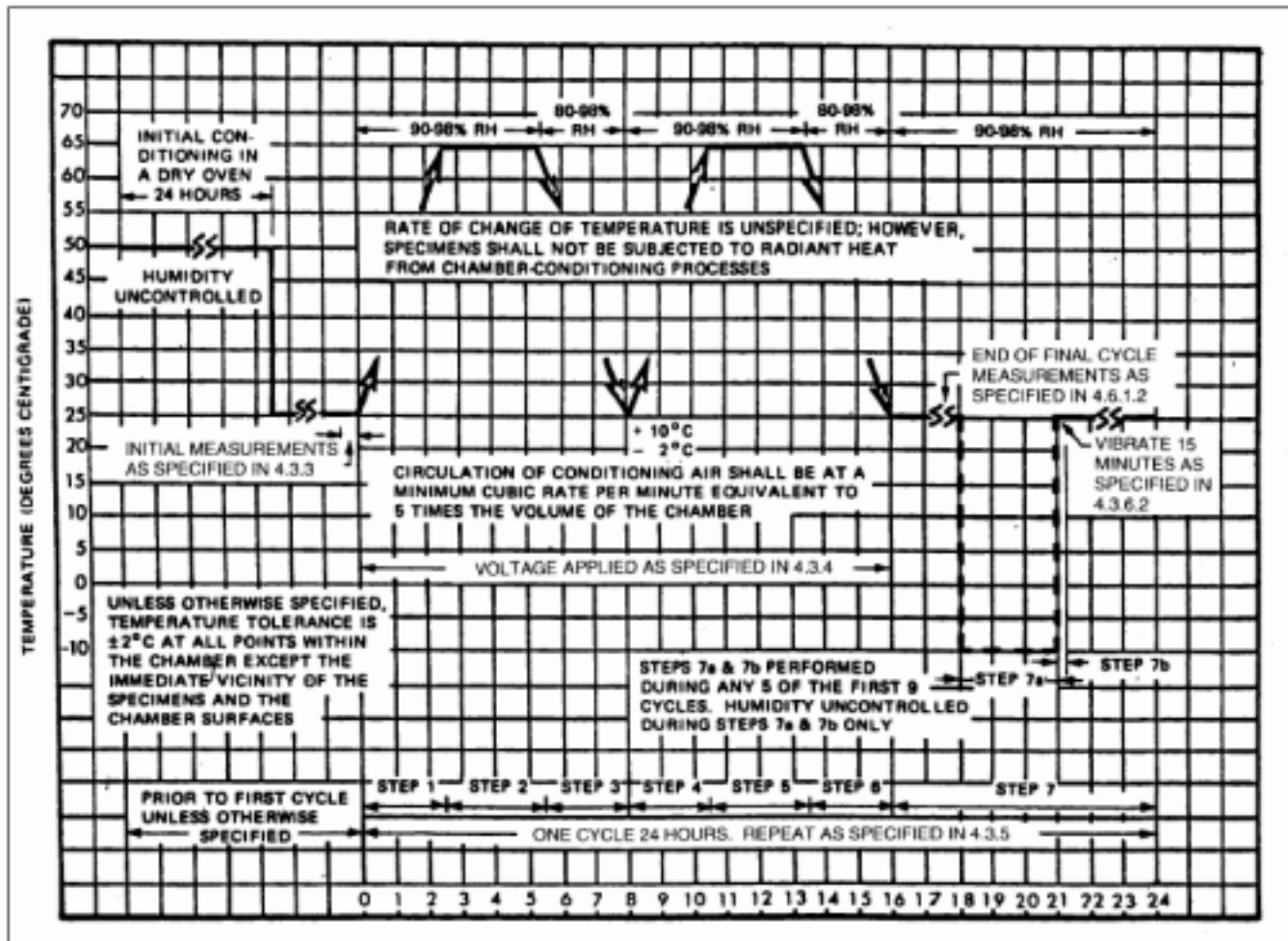


Power spectral density, G ² /Hz	Overall rms G minimum
0.02	5.35

B	REVISE ON PC ONLY REVISED J2005-1485 2004/11/18 N.AIDA	TITLE: USB SERIES MINI-A TO MINI-B	製品仕様書
	REV. DESCRIPTION	-LEAD FREE-	
DOCUMENT NUMBER PS-56579-015		FILENAME PS56579015.LWP	SHEET 11 OF 15
ES-4000-3996 REV. A SHEET 4 95/MAR/10 EC U5-0926 DCBRD03.LWP			W to B 3 EN-37-1(019)



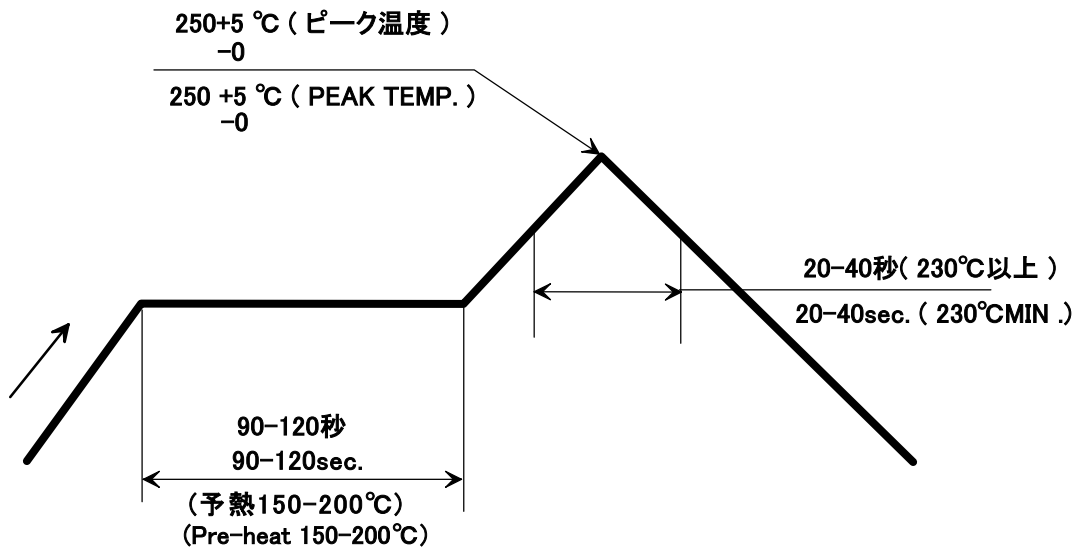
【7. 耐湿性条件 HUMIDITY CONDITION】



B	REVISE ON PC ONLY REVISED J2005-1485 2004/11/18 N.AIDA	TITLE: USB SERIES MINI-A TO MINI-B	
	REV. DESCRIPTION	-LEAD FREE- 製品仕様書	
DOCUMENT NUMBER PS-56579-015		THIS DOCUMENT CONTAINS INFORMATION THAT IS PROPRIETARY TO INC. AND MUST NOT BE USED WITHOUT WRITTEN PERMISSION	
DOCUMENT NUMBER PS-56579-015		FILENAME PS56579015.LWP	SHEET 12 OF 15
ES-4000-3996 REV. A SHEET 4 95/MAR/10 EC U5-0926 DCBRD03.LWP			W to B 3 EN-37-1(019)



【8. リフロー条件 REFLOW CONDITION】



温度条件グラフ
 (温度は基板パターン面)
TEMPERATURE CONDITION GRAPH
 (TEMPERATURE ON BOARD PATTERN SIDE)

注記 ; 本リフロー条件に関しては、リフロー装置及び基板などにより条件が異なりますので、事前にリフロー評価の確認をお願い致します。

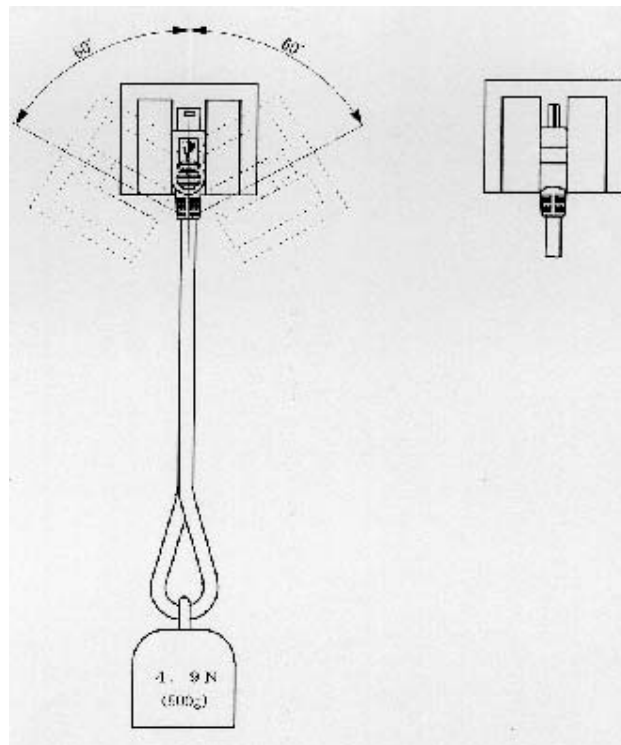
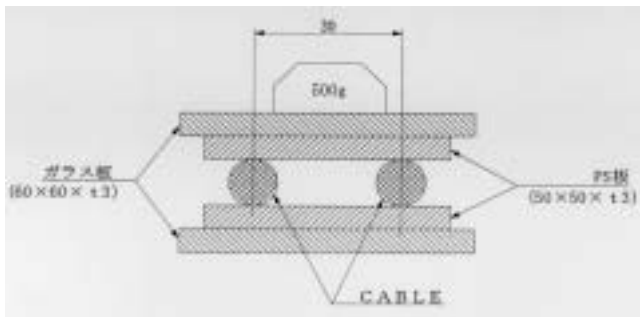
Notes ; Please check the reflow soldering condition by your own devices beforehand.
 Because the condition changes by the soldering devices, p.c. boards, and so on.

B	REVISE ON PC ONLY	TITLE: USB SERIES MINI-A TO MINI-B	-LEAD FREE-	製品仕様書
	REVISED J2005-1485 2004/11/18 N.AIDA			
REV.	DESCRIPTION	DOCUMENT NUMBER	FILENAME	SHEET
		PS-56579-015	PS56579015.LWP	13 OF 15
ES-4000-3996 REV. A SHEET 4 95/MAR/10 EC U5-0926 DCBRD03.LWP				W to B 3 EN-37-1(019)



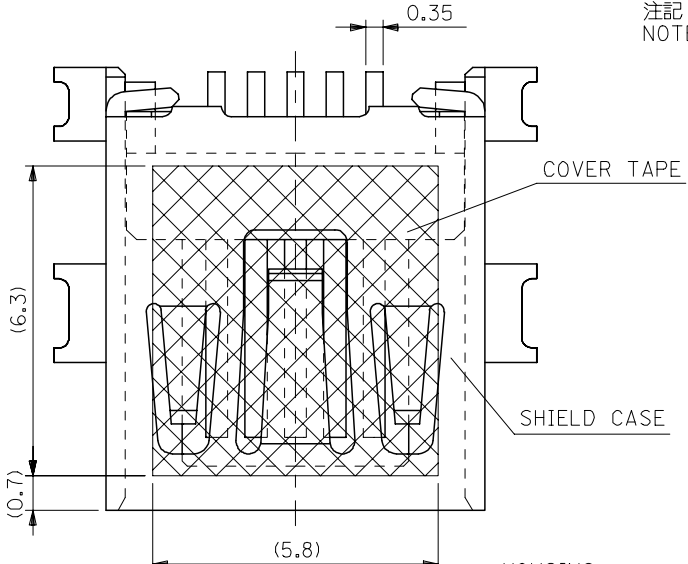
【9. 非移行性試験条件 MIGRATION CONDITION】

【10. 耐屈曲性試験条件 FLEXING TEST CONDITION】



B	REVISE ON PC ONLY REVISED J2005-1485 2004/11/18 N.AIDA	TITLE: USB SERIES MINI-A TO MINI-B		
	REV. DESCRIPTION	-LEAD FREE-	製品仕様書	
DOCUMENT NUMBER PS-56579-015		THIS DOCUMENT CONTAINS INFORMATION THAT IS PROPRIETARY TO INC. AND MUST NOT BE USED WITHOUT WRITTEN PERMISSION		
ES-4000-3996 REV. A SHEET 4 95/MAR/10 EC U5-0926 DCBRD03.LWP		FILENAME PS56579015.LWP	SHEET 14 OF 15	W to B 3 EN-37-1(019)

10 9 8 7 6 5 4 3 2 1



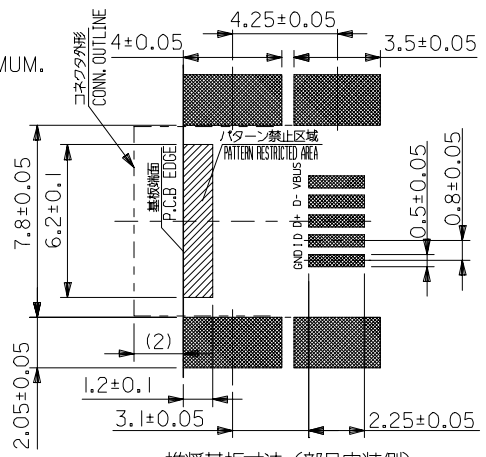
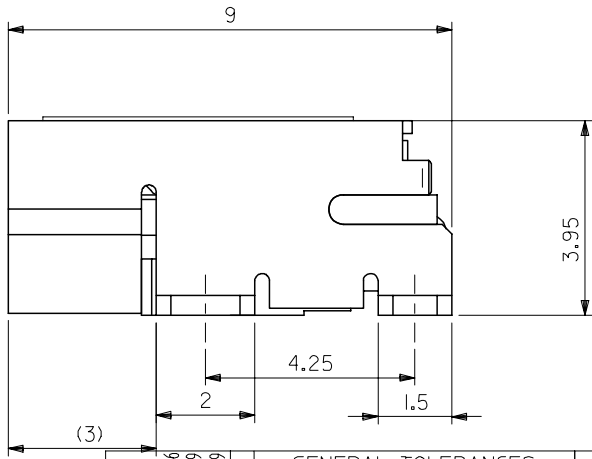
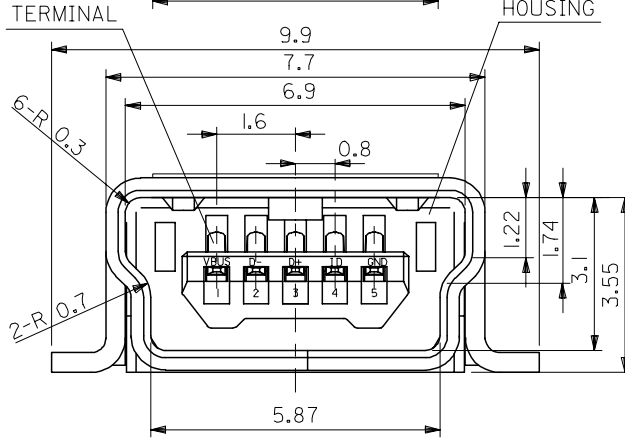
注記 1. 材質
NOTES MATERIAL

ハウジング: ポリフタルアミド ガラス充填, 黒色, UL 94V-0
HOUSING: POLYPHTHAL AMIDE GLASS FILLED, BLACK, UL 94V-0
ターミナル: 銅合金 (t=0.2)
TERMINAL: COPPER ALLOY (t=0.2)
シールド ケース: 銅合金 (t=0.4)
SHIELD CASE: COPPER ALLOY (t=0.4)
カバー テープ: ポリイミド (t=0.08)
COVER TAPE: POLYIMIDE (t=0.08)

2. メッキ仕様
PLATING

ターミナル
TERMINAL
接点部: 金メッキ 0.75µm MIN.
CONTACT AREA: GOLD 0.75 MICROMETER MINIMUM.
半田付け部: 錫メッキ 無光沢 1.0µm MIN.
SOLDER TAIL AREA: MATTE TIN 1.0 MICROMETER MINIMUM.
下地部: ニッケルメッキ 4.0µm MIN.
UNDER PLATING: NICKEL 4.0 MICROMETER MINIMUM.
シールド ケース
SHIELD CASE
: 錫メッキ 半光沢 1.0µm MIN.
: SEMI-MATTE TIN 1.0 MICROMETER MINIMUM.
下地部: ニッケルメッキ 4.0µm MIN.
UNDER PLATING: NICKEL 4.0 MICROMETER MINIMUM.

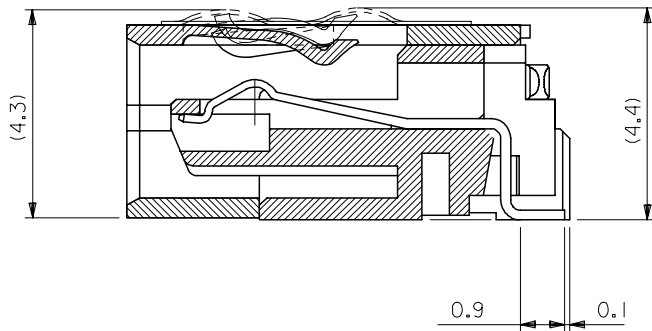
3. テール、ネール平坦度は0.1mm MAX.
TAIL, NAIL COPLANARITY 0.1mm MAX.
4. 本製品は54819-0571の鉛フリー品である。
THIS PRODUCT IS LEAD FREE OF 54819-0571.



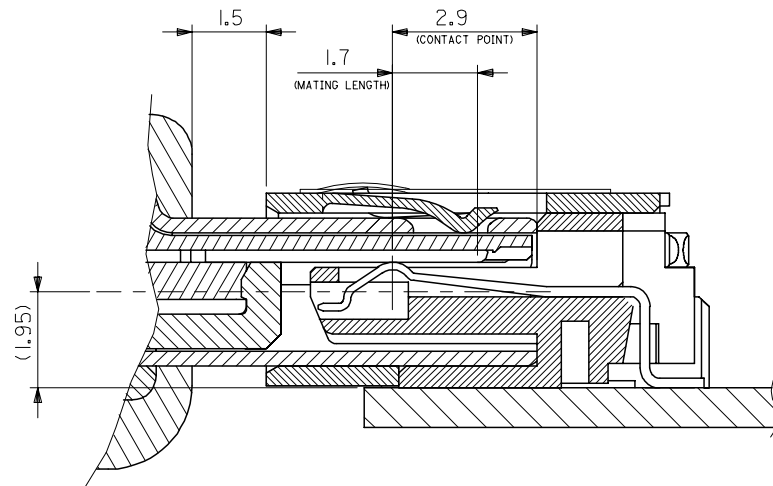
推奨基板寸法 (部品実装側)
RECOMMENDED P.C.B. PATTERN LAYOUT (PART MOUNT SIDE)

54819-0579
MATERIAL NO.

REVISED EC NO: J2006-3494 DRW: KSAI T001 2006/05/16 CHK: D. TANAKA 2006/05/19 APPR: NUKITA 2006/05/19	DESCRIPTION	GENERAL TOLERANCES (UNLESS SPECIFIED)		DIMENSION STYLE	SCALE	DESIGN UNITS	THIRD ANGLE PROJECTION	
				MM ONLY	10:1	METRIC		
		10 UNDER	±0.2	DRAWN BY	DATE	TITLE		
		10 OVER 30 UNDER	±0.25	H. KAWABATA	2004/05/21	USB SERIES MINI-B RECEPTACLE ASS'Y FOR SMT -LEAD FREE-		
30 OVER	±0.3	CHECKED BY	DATE	MOLEX INCORPORATED				
		K. TOJO	2004/05/21	MATERIAL NO.				
		APPROVED BY	DATE	DOCUMENT NO.				
		M. SASAO	2004/05/21	SD-54819-027				
		ANGULAR ±3 °		SEE CHART		SHEET NO.		
		DRAFT WHERE APPLICABLE MUST REMAIN WITHIN DIMENSIONS		SIZE		1 OF 2		
				A3		THIS DRAWING CONTAINS INFORMATION THAT IS PROPRIETARY TO MOLEX INCORPORATED AND SHOULD NOT BE USED WITHOUT WRITTEN PERMISSION		



SECTION



MATING

MATERIAL 材料	SEE NOTES
FINISH 仕上げ	SEE NOTES

REVISED	DESCRIPTION
EC NO: J2006-3494	2006/05/16
DRW:KSAIT001	2006/05/19
CHKD:MTANAKA	2006/05/19
APPR:NUKITA	2006/05/19

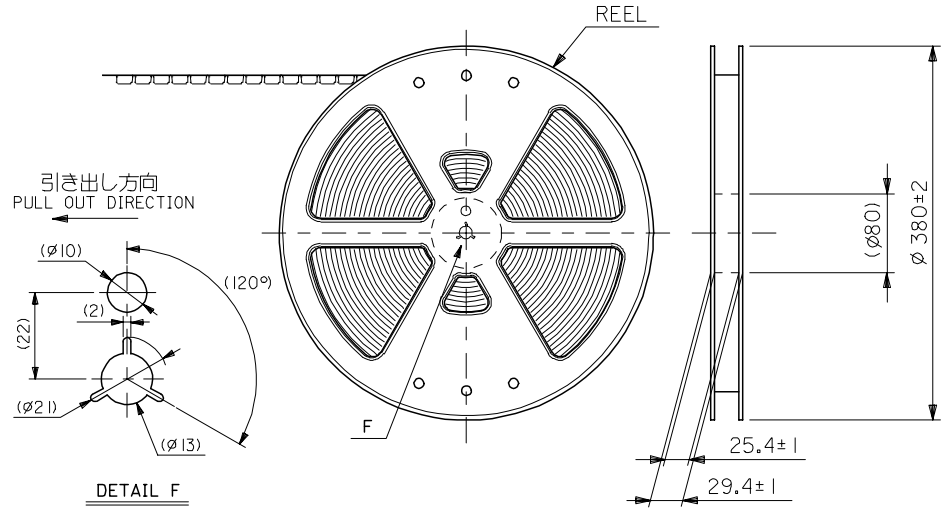
GENERAL TOLERANCES (UNLESS SPECIFIED)	
10 UNDER	±0.2
10 ^{OVER} 30 UNDER	±0.25
30 ^{OVER}	±0.3
ANGULAR	±3 °
DRAFT WHERE APPLICABLE MUST REMAIN WITHIN DIMENSIONS	

DIMENSION STYLE MM ONLY	
DRAWN BY	DATE
H. KAWABATA	2004/05/21
CHECKED BY	DATE
K. TOJO	2004/05/21
APPROVED BY	DATE
M. SASAO	2004/05/21
MATERIAL NO.	
SEE CHART	
SIZE	
A3	

SCALE	DESIGN UNITS	MODEL NO.	54819-***79
10:1	METRIC	THIRD ANGLE PROJECTION	
TITLE			
USB SERIES MINI-B RECEPTACLE ASS'Y FOR SMT -LEAD FREE-			
APPROVED BY		MOLEX INCORPORATED	
M. SASAO		MOLEX	
DOCUMENT NO.		SHEET NO.	
SD-54819-027		2 OF 2	
THIS DRAWING CONTAINS INFORMATION THAT IS PROPRIETARY TO MOLEX INCORPORATED AND SHOULD NOT BE USED WITHOUT WRITTEN PERMISSION			

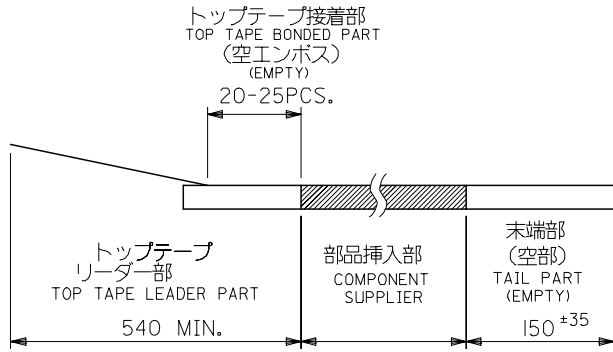
10 9 8 7 6 5 4 3 2 1

F
E
D
C
B
A

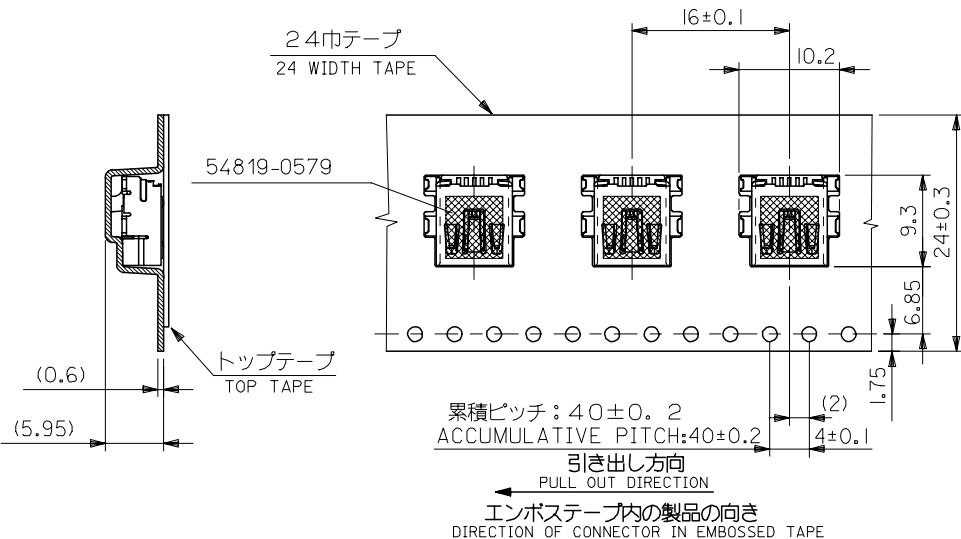


NOTES

- 54819-0579の詳細はSD-54819-027参照
IN THE PACKAGE PART NO.54819-0579 DETAILED, SEE SD-54819-027
- 梱包数量: 800 個/リール
NUMBER OF CONNECTORS: 800 PCS/REEL
- リードテープ長さ
LEAD TAPE LENGTH



- トップテープの剥離強度: 0.1~ 1.3 N { 10~130gf }
(剥離方向は下図参照) キャリアテープ幅: 24mm
CARRIER TAPE WIDTH
PEEL-OFF FORCE OF TOP TAPE: 0.1~1.3 N { 10~130gf }
(PEELING DIRECTION AS SHOWN IN FOLLOWING FIG.)
尚、本規格値は、出荷時に適用。
THIS REQUIREMENT SHOULD BE APPLIED AT SHIPMENT
(但し、輸送時に剥離が発生しない事。)
(PEEL OFF SHOULD NOT BE ALLOWED, DURING TRANSPORTATION)
-



- 材料
MATERIAL
キャリアテープ: ポリプロピレン
CARRIER TAPE: POLYPROPYLENE
トップテープ: ポリエステル, ポリエチレン
TOP TAPE: POLYESTER, POLYETHYLENE
リール: ポリスチレン
REEL: POLYSTYRENE
- 本製品は 54819-0578 の鉛フリー品である。
THIS PRODUCT IS LEAD FREE OF 54819-0578.

54819-0572
MATERIAL NO.

REVISED EC NO: J2006-0378 DRWN: YANAGI MOTO 2005/08/03 CHKD: TANAKA 2005/08/03 APPR: NUKITA 2005/08/17	GENERAL TOLERANCES (UNLESS SPECIFIED)		DIMENSION STYLE MM ONLY		MODEL NO.	54819-**-72	SCALE	2:1	DESIGN UNITS	METRIC	THIRD ANGLE PROJECTION
	10 UNDER	±0.2	DRAWN BY	H. KAWABATA	DATE	2004/05/21	TITLE USB SERIES MINI-B REC.HS'G EMBOSSED ASS'Y -LEAD FREE-				
	10 OVER 30 UNDER	±0.25	CHECKED BY	K. TOJO	DATE	2004/05/21	MOLEX INCORPORATED				
	30 OVER	±0.3	APPROVED BY	M. SASAO	DATE	2004/05/21	DOCUMENT NO. SD-54819-028				
1	ANGULAR	±3 °	DRAFT WHERE APPLICABLE MUST REMAIN WITHIN DIMENSIONS		MATERIAL NO.	SEE CHART		DOCUMENT NO.	SD-54819-028		SHEET NO. 1 OF 1
<p>THIS DRAWING CONTAINS INFORMATION THAT IS PROPRIETARY TO MOLEX INCORPORATED AND SHOULD NOT BE USED WITHOUT WRITTEN PERMISSION</p>											