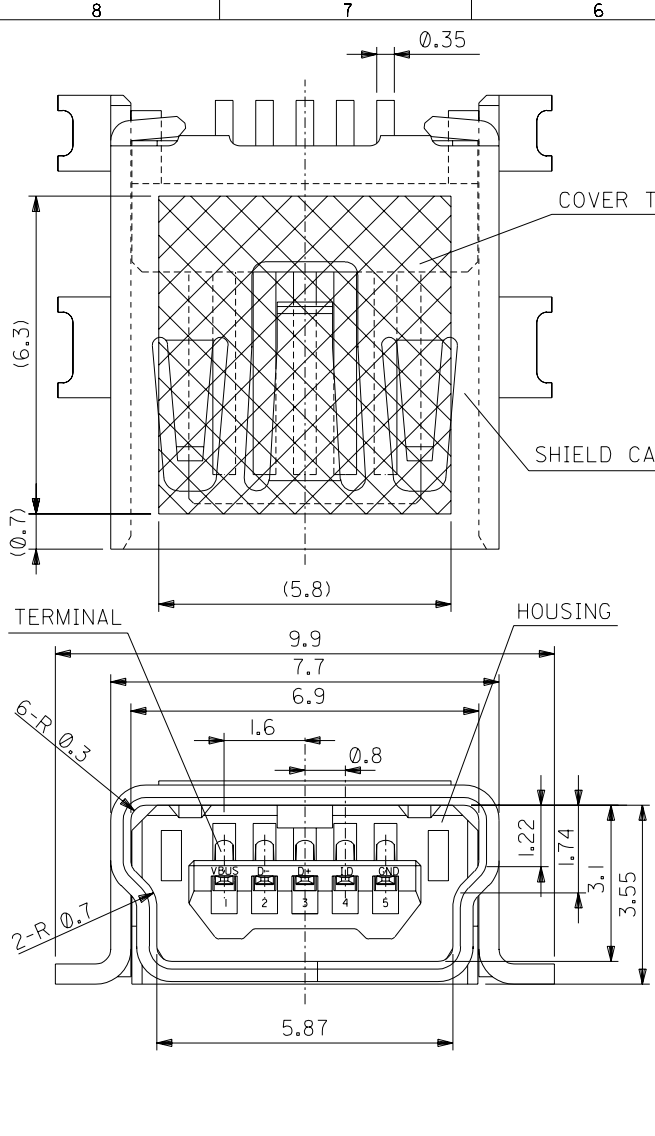


DWG. NO. SD-54819-027

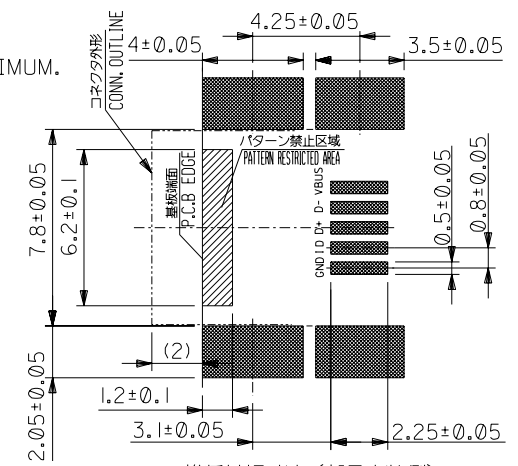
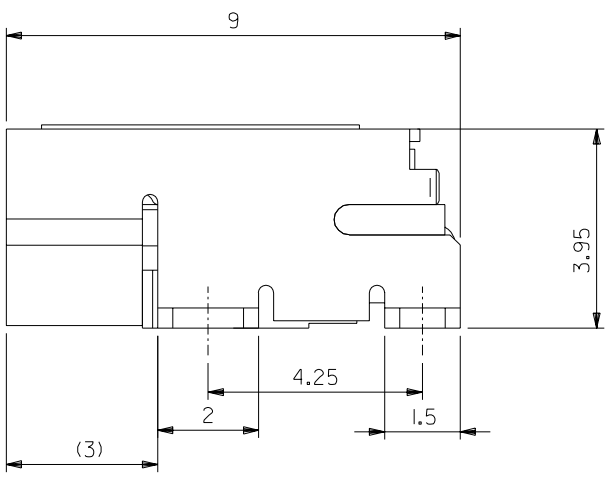


注記 1. 材質
 NOTES MATERIAL
 ハウジング: ポリフタルアミド ガラス充填, 黒色, UL 94V-0
 HOUSING: POLYPHTHAL AMIDE GLASS FILLED, BLACK, UL94V-0
 ターミナル: 銅合金 (t=0.2)
 TERMINAL: COPPER ALLOY (t=0.2)
 シールド ケース: 銅合金 (t=0.4)
 SHIELD CASE: COPPER ALLOY (t=0.4)
 カバー テープ: ポリイミド (t=0.08)
 COVER TAPE: POLYIMIDE (t=0.08)

2. メッキ仕様
 PLATING
 ターミナル
 TERMINAL
 接点部: 金メッキ 0.75μm MIN.
 CONTACT AREA: GOLD 0.75 MICROMETER MINIMUM.
 半田付け部: 錫メッキ 1.0μm MIN.
 SOLDER TAIL AREA: TIN 1.0 MICROMETER MINIMUM.
 下地部: ニッケルメッキ 4.0μm MIN.
 UNDER PLATING: NICKEL 4.0 MICROMETER MINIMUM.
 シールド ケース
 SHIELD CASE
 : 錫メッキ 1.0μm MIN.
 : TIN 1.0 MICROMETER MINIMUM.
 下地部: ニッケルメッキ 4.0μm MIN.
 UNDER PLATING: NICKEL 4.0 MICROMETER MINIMUM.

3. テール、ネール平坦度は0.1mm MAX.
 TAIL, NAIL COPLANARITY 0.1mm MAX.
 4. 本製品は54819-0571の鉛フリー品である。
 THIS PRODUCT IS LEAD FREE OF 54819-0571.

164 NO. DRWN: CH'K: APPR:	163 NO. DRWN: CH'K: APPR:	162 NO. DRWN: CH'K: APPR:	161 NO. DRWN: CH'K: APPR:	RELEASED 160 NO. J2004-4374 DRWN: H. KAWABATA '04/05/21 CH'K: K. TOJO '04/05/21 APPR: M. SASAO '04/05/21	MATERIAL 材料 SEE NOTES	GENERAL TOLERANCES: (UNLESS SPECIFIED) 一般公差
					FINISH 仕上げ SEE NOTES	10 UNDER 未満 ±0.2 10 OVER 以上 30 UNDER 未満 ±0.25 30 OVER 以上 ±0.3
					WIRE RANGE 適用線径範囲 #	ANGLE 角度 ±3°
					INS. RANGE 被覆外径 #	



推奨基板寸法 (部品実装側)
 RECOMMENDED P.C.B. PATTERN LAYOUT (PART MOUNT SIDE)

MODEL NO.	54819-**-79	DIMENSIONS:	<input type="checkbox"/> mm <input type="checkbox"/> INCH <input checked="" type="checkbox"/> mm ONLY	SHT	REV
		<input checked="" type="checkbox"/> FIRST ANGLE PROJECTION		MATERIAL NO. 54819-0579	
SCALE	10 : 1	DESIGN UNITS	<input checked="" type="checkbox"/> mm <input type="checkbox"/> INCH	TITLE: USB SERIES MINI-B RECEPTACLE ASS'Y FOR SMT -LEAD FREE-	
DRAWN BY & DATE		H. KAWABATA '04/05/21		MOLEX MOLEX INCORPORATED	
CHECKED BY & DATE		K. TOJO '04/05/21		MATERIAL NO. SEE CHART	
APPROVED BY & DATE		H. Saito '04/05/21		DRAWING NO. SD-54819-027	
CAD FILENAME		SD-54819-027.S01		SHEET NO. 1 OF 2	
THIS DRAWING CONTAINS INFORMATION THAT IS PROPRIETARY TO MOLEX INCORPORATED AND SHOULD NOT BE USED WITHOUT WRITTEN PERMISSION.					
					SIZE B

DWG. NO. SD-54819-027

F

D

V

C

B

DO NOT SCALE DRAWING

8 7 6 5 4 3 2 1

F

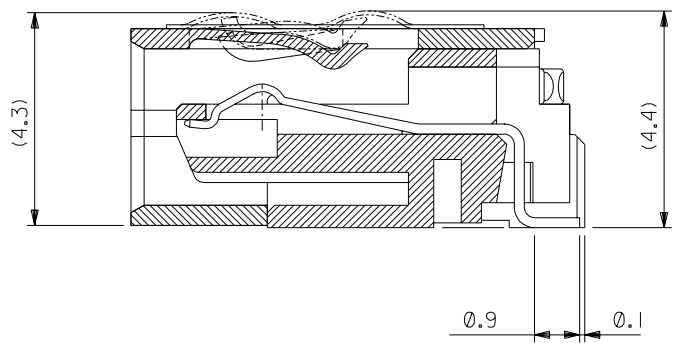
E

D

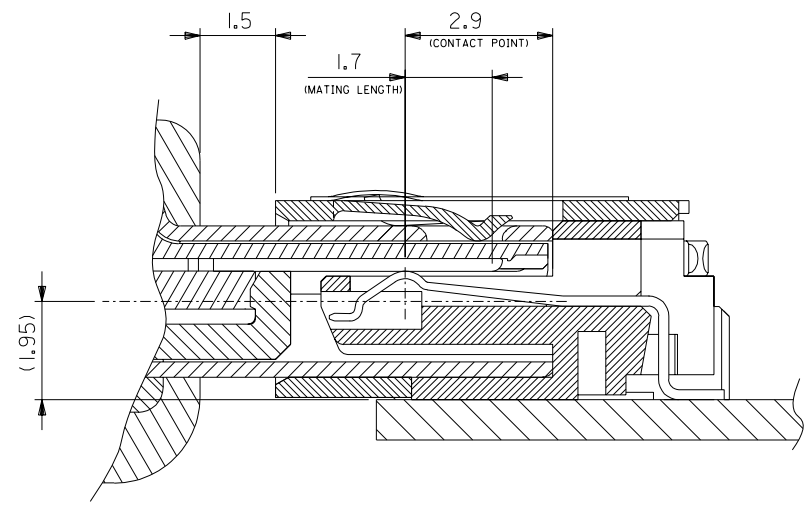
C

B

A



SECTION

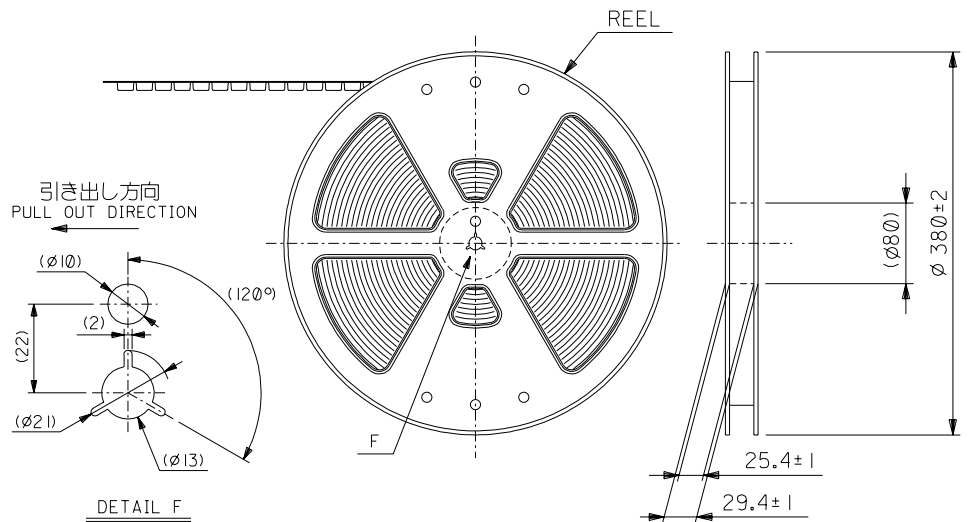


MATING

634 NO. DRWN: CH'K: APPR:	633 NO. DRWN: CH'K: APPR:	632 NO. DRWN: CH'K: APPR:	631 NO. DRWN: CH'K: APPR:	630 NO. DRWN: CH'K: APPR:	SEE SHEET 1	MATERIAL 材料	GENERAL TOLERANCES: (UNLESS SPECIFIED) 一般公差	SCALE 10 : 1	MODEL NO. DESIGN UNITS 54819-***79 mm INCH	DIMENSIONS: mm INCH mm ONLY	SHT	REV	
						SEE NOTES	10 UNDER 未滿	±0.2	DRAWN BY & DATE H.KAWABATA '04/05/21	PROJ ANGLE PROJECTION	INCH	INCH	mm
						FINISH 仕上付	10 OVER 30 UNDER 以上 未滿	±0.25	CHECKED BY & DATE K.TOJO '04/05/21	TITLE: USB SERIES MINI-B RECEPTACLE ASS'Y FOR SMT			
						SEE NOTES	30 OVER 以上	±0.3	APPROVED BY & DATE M. Saito '04/05/21	MOLEX INCORPORATED			
						WIRE RANGE 適用電線範圍	#	ANGLE 角度	±3°	CAD FILENAME SD-54819-027.S02	MATERIAL NO. SEE CHART	DRAWING NO. SD-54819-027	SHEET NO. 2
						INS. RANGE 被覆外径	#	THIS DRAWING CONTAINS INFORMATION THAT IS PROPRIETARY TO MOLEX INCORPORATED AND SHOULD NOT BE USED WITHOUT WRITTEN PERMISSION.					SIZE B

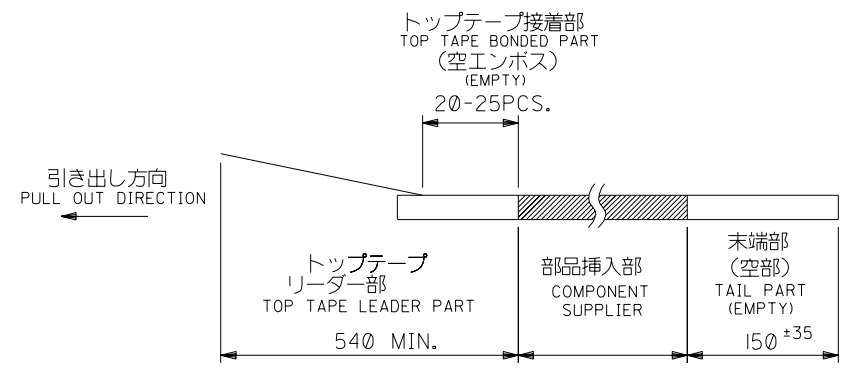
8 7 6 5 4 3 2 1 EN-02J(097) MXJ-54

DWG. NO. SD-54819-028

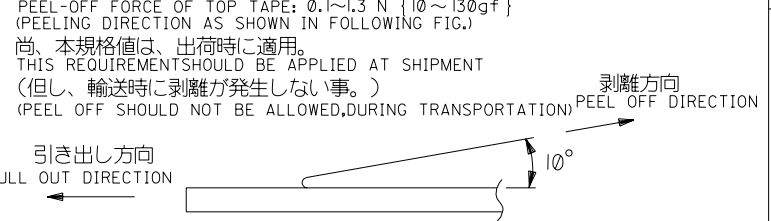


NOTES

- 54819-0579の詳細はSD-54819-027参照
IN THE PACKAGE PART NO.54819-0579 DETAILED, SEE SD-54819-027
- 梱包数量: 800 個/リール
NUMBER OF CONNECTORS: 800 PCS/REEL
- リードテープ長さ
LEAD TAPE LENGTH



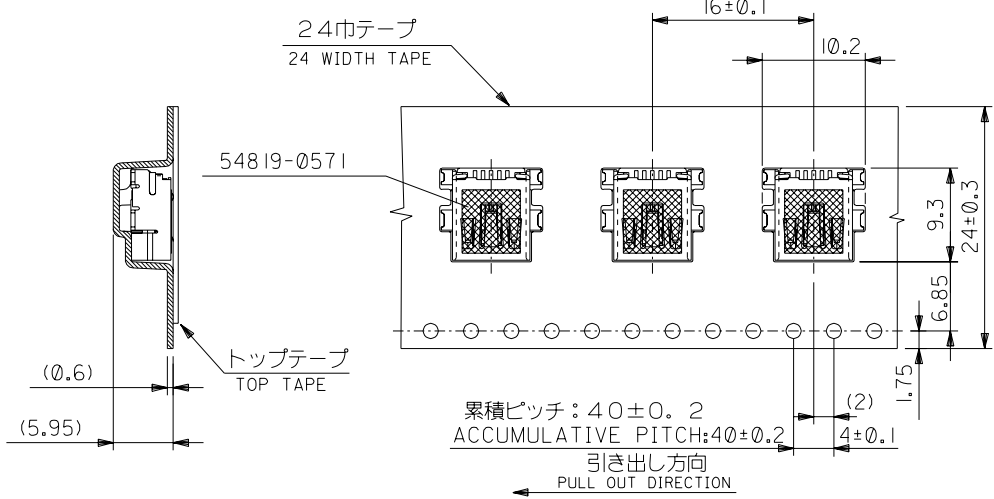
- トップテープの剥離強度: 0.1~ 1.3 N { 10~130gf }
(剥離方向は下図参照) キャリアテープ幅: 2.4 mm
PEEL-OFF FORCE OF TOP TAPE: 0.1~1.3 N { 10~130gf }
(PEELING DIRECTION AS SHOWN IN FOLLOWING FIG.)
CARRIER TAPE WIDTH



- 材料
MATERIAL
キャリアテープ: ポリプロピレン
CARRIER TAPE: POLYPROPYLENE
トップテープ: ポリエステル, ポリエチレン
TOP TAPE: POLYESTER, POLYETHYLENE
リール: ポリスチレン
REEL: POLYSTYRENE

- 本製品は 54819-0578 の鉛フリー品である。
THIS PRODUCT IS LEAD FREE OF 54819-0578.

54819-0572
MATERIAL NO.



累積ピッチ: 40±0.2
ACCUMULATIVE PITCH: 40±0.2

エンボステープ内の製品の向き
DIRECTION OF CONNECTOR IN EMBOSSED TAPE

DO NOT SCALE DRAWING

64 NO. DRWN: CH'K: APPR: 63 NO. DRWN: CH'K: APPR: 62 NO. DRWN: CH'K: APPR: 61 NO. DRWN: CH'K: APPR:	RELEASED 60 NO. J2004-4374 DRWN: H. KAWABATA '04/05/21 CH'K: M. SASAO '04/05/21 APPR: K. TOJO '04/05/21	MATERIAL 材料 SEE NOTES	GENERAL TOLERANCES: (UNLESS SPECIFIED) 一般公差	SCALE 2 : 1	MODEL NO. 54819-028.S01	54819-0572	DIMENSIONS: <input type="checkbox"/> mm <input type="checkbox"/> INCH <input checked="" type="checkbox"/> mm ONLY	SHT	REV
		FINISH 仕上げ —	10 UNDER 未満 ±0.2	DESIGN UNITS <input checked="" type="checkbox"/> mm <input type="checkbox"/> INCH	DESIGN UNITS <input checked="" type="checkbox"/> mm <input type="checkbox"/> INCH	54819-0572	MM ONLY	BEYOND ANGLE PROJECTION	BEYOND ANGLE PROJECTION
		WIRE RANGE 適用電線範囲 —	10 OVER 以上 ±0.25	DRAWN BY & DATE H. KAWABATA '04/05/21	TITLE: USB SERIES MINI-B REC. HS'G EMBOSSED ASS'Y -LEAD FREE-				
		INS. RANGE 被覆外径 —	30 UNDER 未満 ±0.3	CHECKED BY & DATE K. TOJO '04/05/21	APPROVED BY & DATE H. Saito '04/05/21	MATERIAL NO. SEE CHART	DRAWING NO. SD-54819-028	SHEET NO. 1 OF 1	
			ANGLE 角度 ±3°	CAD FILENAME SD-54819-028.S01	MATERIAL NO. SEE CHART	DRAWING NO. SD-54819-028	SHEET NO. 1 OF 1		