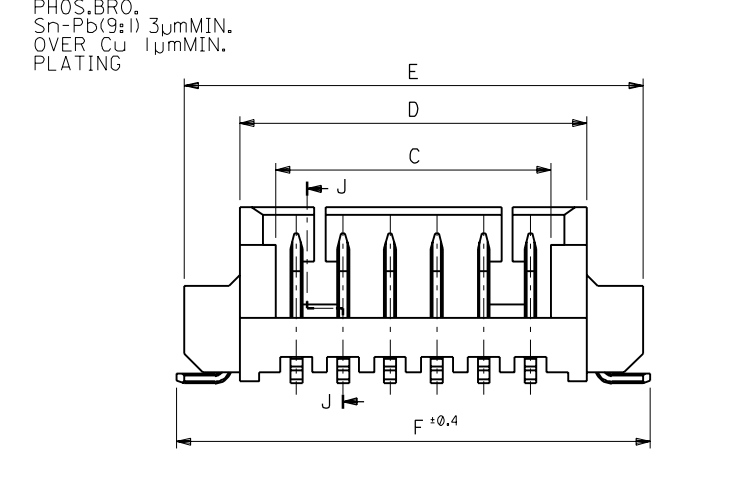
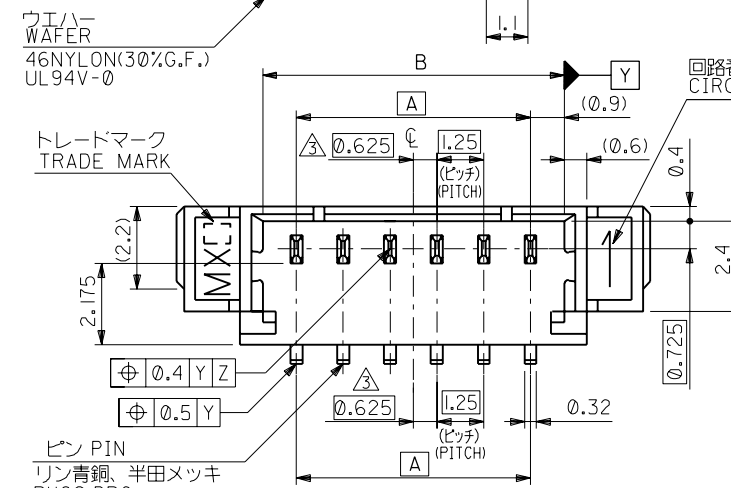
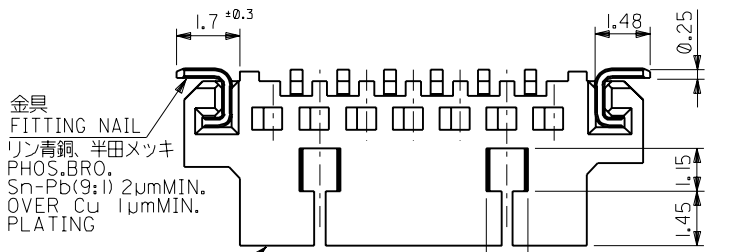


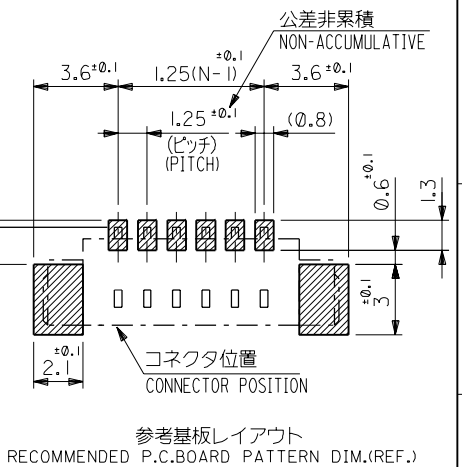
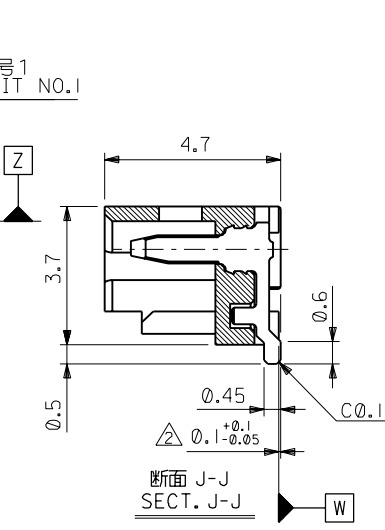
DWG. NO. SD-53398-\*\*-10

DIMENSIONS IN METRIC DO NOT SCALE DRAWING



注記 NOTES

- 嵌合相手: 51021 シリーズ MATE WITH : 51021 SERIES
- 水平面上においての、ウエハー底面 [W] とソルダーテール及びフィッティングネイル底面とのズレ量を示す。  
MISALIGNMENT OF SOLDER TAIL & FITTING NAIL FROM [W]
- 偶数極のみ適用。APPLY EVEN CIRCUIT PRODUCTS.
- ロック窓は、2, 3極は1ヶ所、4極以上は2ヶ所とする。  
LOCKING WINDOW : ONE PLACE FOR 2&3 CKTS.  
TWO PLACES FOR MORE THAN 4 CKTS.



23.9	23.5	20.5	18.6	19.3	17.5	53398-1510	15
22.65	22.25	19.25	17.35	18.05	16.25	↑ -1410	14
21.4	21	18	16.1	16.8	15	↑ -1310	13
20.15	19.75	16.75	14.85	15.55	13.75	↑ -1210	12
18.9	18.5	15.5	13.6	14.3	12.5	↑ -1110	11
17.65	17.25	14.25	12.35	13.05	11.25	↑ -1010	10
16.4	16	13	11.1	11.8	10	↑ -0910	9
15.15	14.75	11.75	9.85	10.55	8.75	↑ -0810	8
13.9	13.5	10.5	8.6	9.3	7.5	↑ -0710	7
12.65	12.25	9.25	7.35	8.05	6.25	↑ -0610	6
11.4	11	8	6.1	6.8	5	↑ -0510	5
10.15	9.75	6.75	4.85	5.55	3.75	↑ -0410	4
8.9	8.5	5.5	3.6	4.3	2.5	↑ -0310	3
7.65	7.25	4.25	2.35	3.05	1.25	↑ -0210	2
F	E	D	C	B	A	ENG. NO.	極数 NO. OF CKTS.

角度 ANGLE	±3°
30以上 OVER	±0.3
10以上 30未滿 UNDER	±0.25
10未滿 UNDER	±0.2

記号 LTR	変更内容 REVISION RECORD	DR. CHK.	日付 DATE

F	変更 REVISD	WC2000-0636	K.K. M.F.	00/3/30
E	変更 REVISD	WC800048	H.J. M.F.	97/7/5
D	変更 REVISD	U31030	H.H. M.F.	93/10/13
C	変更 REVISD	U30753	K.T. H.H.	93/7/29
B	変更 REVISD	U30610	K.T. H.H.	93/6/18
A	変更 REVISD	U30230	K.T. H.H.	93/3/10
0	新規作成 RELEASED	U20942	K.T. H.H.	92/10/12

材料 MATERIAL 図中参照 SEE DRAWING

仕上げ FINISH —

適用電線範囲 WIRE RANGE —

被覆外径 INS. RANGE —

DRAWN BY '92/10/12 K.TOJO

CHK'D BY '00/3/30 T.YAMAGUCHI

APP'D BY '00/3/30 M.FUKUSHIMA

尺度 SCALE —

REVISE ONLY ON CAD SYSTEM

TITLE 名称

1.25 WIRE TO BOARD CONN. WAFER ASS'Y FOR SMT (ST.)

DWG. NO. SD-53398-\*\*-10

REV F

DWG. NO. SD-53398-\*\*-10

E

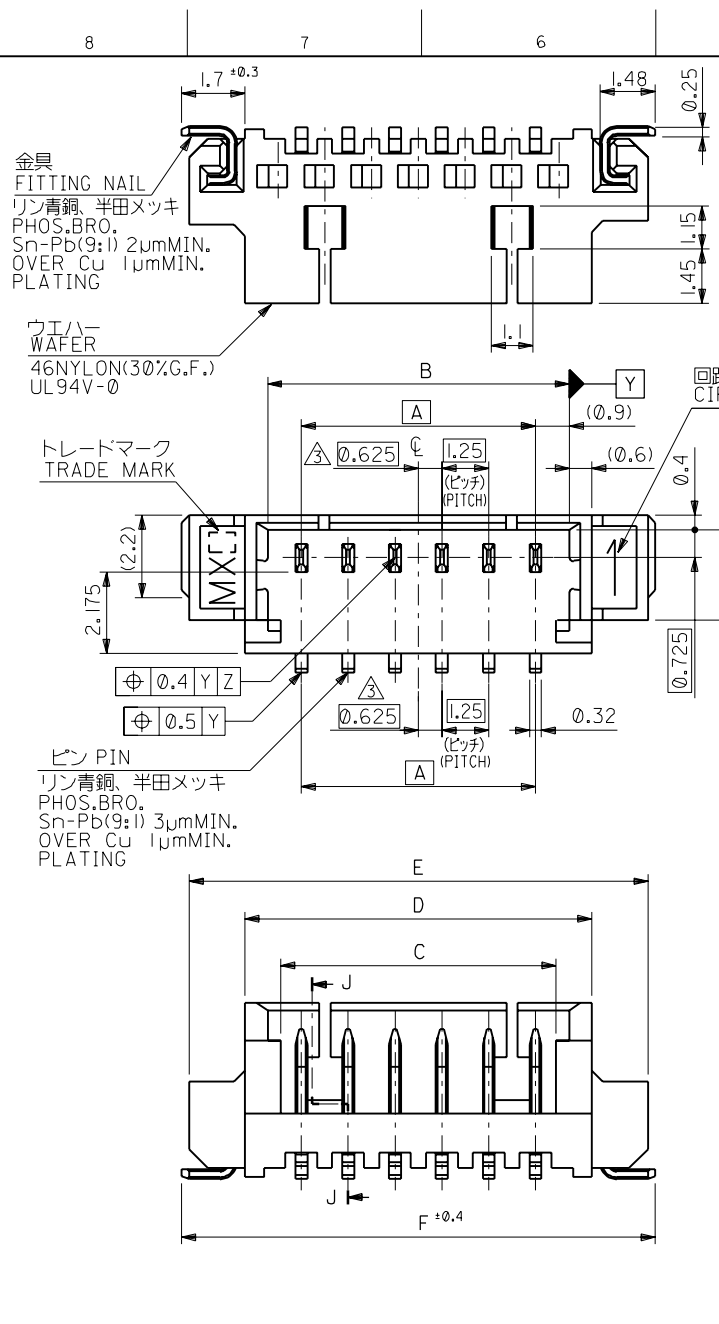
D

C

B

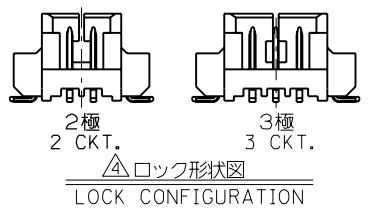
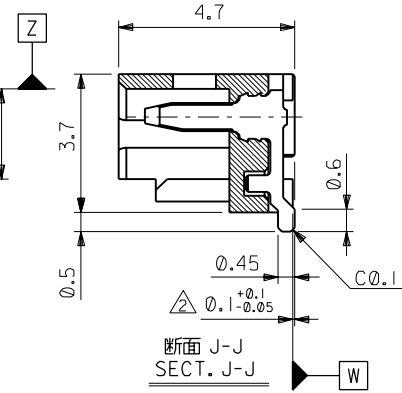
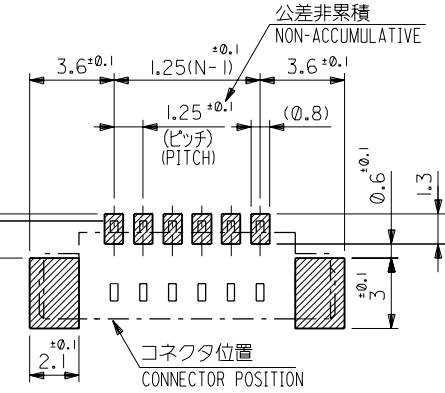
A

MM DIMENSIONS IN METRIC DO NOT SCALE DRAWING



注記 NOTES

- 1. 嵌合相手: 51021 シリーズ MATE WITH : 51021 SERIES
- △ 水平面上においての、ウェハー底面 [W] とソルダーテール及びフィッティングネイル底面とのズレ量を示す。  
MISALIGNMENT OF SOLDER TAIL & FITTING NAIL FROM [W]
- △ 偶数極のみ適用。APPLY EVEN CIRCUIT PRODUCTS.
- △ ロック窓は、2、3極は1ヶ所、4極以上は2ヶ所とする。  
LOCKING WINDOW : ONE PLACE FOR 2&3 CKTS.  
TWO PLACES FOR MORE THAN 4 CKTS.



23.9	23.5	20.5	18.6	19.3	17.5	53398-1510	15
22.65	22.25	19.25	17.35	18.05	16.25	-1410	14
21.4	21	18	16.1	16.8	15	-1310	13
20.15	19.75	16.75	14.85	15.55	13.75	-1210	12
18.9	18.5	15.5	13.6	14.3	12.5	-1110	11
17.65	17.25	14.25	12.35	13.05	11.25	-1010	10
16.4	16	13	11.1	11.8	10	-0910	9
15.15	14.75	11.75	9.85	10.55	8.75	-0810	8
13.9	13.5	10.5	8.6	9.3	7.5	-0710	7
12.65	12.25	9.25	7.35	8.05	6.25	-0610	6
11.4	11	8	6.1	6.8	5	-0510	5
10.15	9.75	6.75	4.85	5.55	3.75	-0410	4
8.9	8.5	5.5	3.6	4.3	2.5	-0310	3
7.65	7.25	4.25	2.35	3.05	1.25	53398-0210	2
F	E	D	C	B	A	ENG. NO.	極数 NO. OF CKTS.

F	変更 REVISED	(J2000-0636)	K.K.	M.F.	00/3/30	材料 MATERIAL 図中参照 SEE DRAWING	molex MOLEX-JAPAN CO.,LTD. 日本モレックス株式会社
E	変更 REVISED	(J2000-08)	H.H.	M.F.	91/7/6		
D	変更 REVISED	(J31034)	H.H.	M.F.	93/10/18		
C	変更 REVISED	(J30753)	K.T.	H.H.	93/7/29		
B	変更 REVISED	(J30610)	K.T.	H.H.	93/6/18		
A	変更 REVISED	(J30230)	K.T.	H.H.	93/3/12		
0	新規作成 RELEASED	(J20942)	K.T.	H.H.	92/10/12		
一般公差 GENERAL TOLERANCES		記号 LTR	変更内容 REVISION RECORD	DR. CHKR.	日付 DATE	材料 MATERIAL	図中参照 SEE DRAWING

角度 ANGLE	+3°	
30 以上 OVER	+0.3	
10 以上 OVER	30 未満 UNDER	+0.25
10 未満 UNDER	+0.2	

REVISE ONLY ON CAD SYSTEM

TITLE 名称  
1.25 WIRE TO BOARD CONN.  
WAFER ASS'Y FOR SMT (ST.)

DWG. NO. SD-53398-\*\*-10

REV F

THIS DRAWING CONTAINS INFORMATION THAT IS PROPRIETARY TO MOLEX(JAPAN) AND SHOULD NOT BE USED WITHOUT WRITTEN PERMISSION  
本図面は日本モレックス(株)の所有する情報を含むもので 当社の許可なく複製を禁止する。  
EN-01C(032)MXJ-32

8

7

6

5

4

3

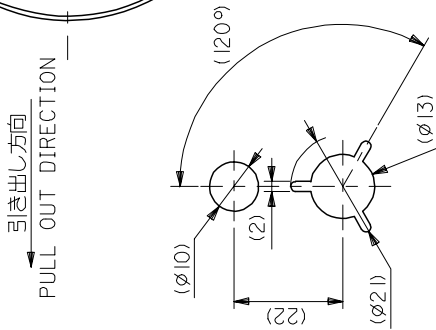
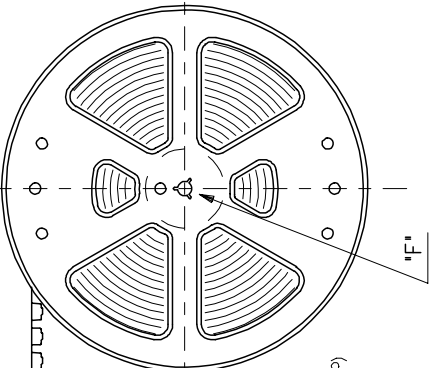
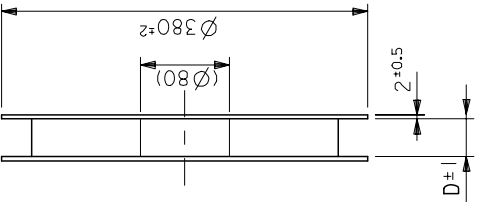
2

1

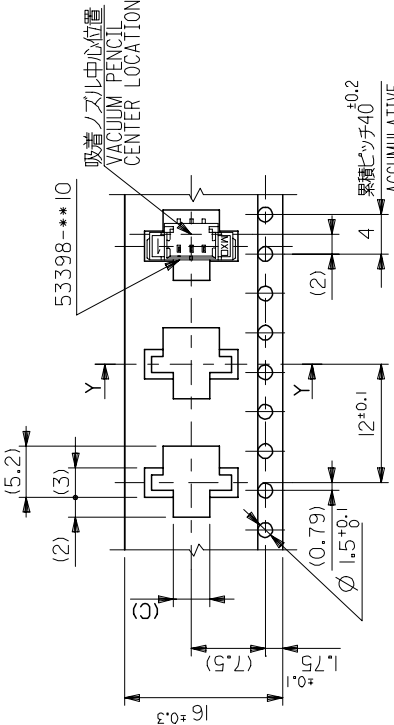
53398.S12

NOTES

1. 梱包数量: 1,000個/リール  
NUMBER OF CONNECTOR: 1000PCS/REEL
2. リードテープ長さ  
LEAD TAPE LENGTH

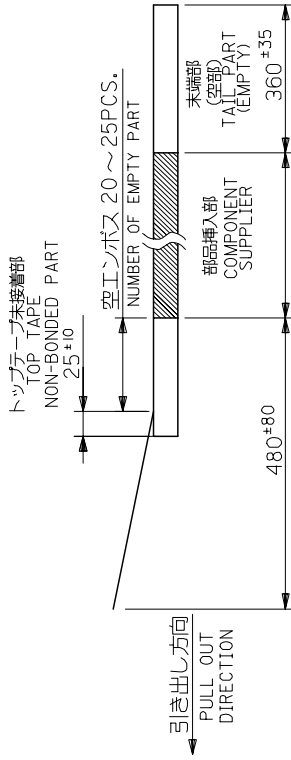


DETAIL "F"



PULL OUT DIRECTION

1.6幅テープ  
(TAPE WIDTH: 16)



3. トップテープの剥離強度: 0.6±0.35N(60±35gf) (剥離方向は下図参照)  
PEELING OFF FORCE OF TOP TAPE: 0.6±0.35N(60±35gf)  
(PEELING DIRECTION IS SHOWN IN FOLLOWING FIG.)

<剥離速度: 300mm/min (参考) >  
PEELING SPEED: 300mm/min (REFERENCE)

引き出し方向  
PULL OUT DIRECTION

4. 53398-\*\*10 の詳細寸法については図面SD-53398-\*\*10 を参照下さい。  
RE DETAILED DIMENSIONS, SEE SD-53398-\*\*10.

5. 材料 (MATERIAL)  
キャリアテープ (CARRIER TAPE): ポリプロピレン (POLYPROPYLENE)  
トップテープ (TOP TAPE): PET, PE, PEF  
リール (REEL): ポリスチレン (PS) <リサイクル材含む>  
POLYSTYRENE (PS) <RECYCLE MATERIAL CONTAINED>

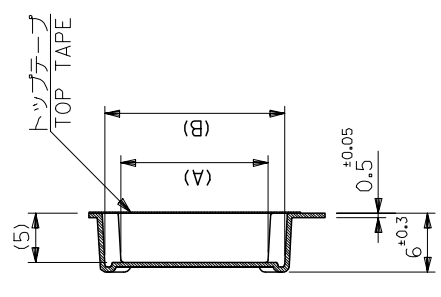
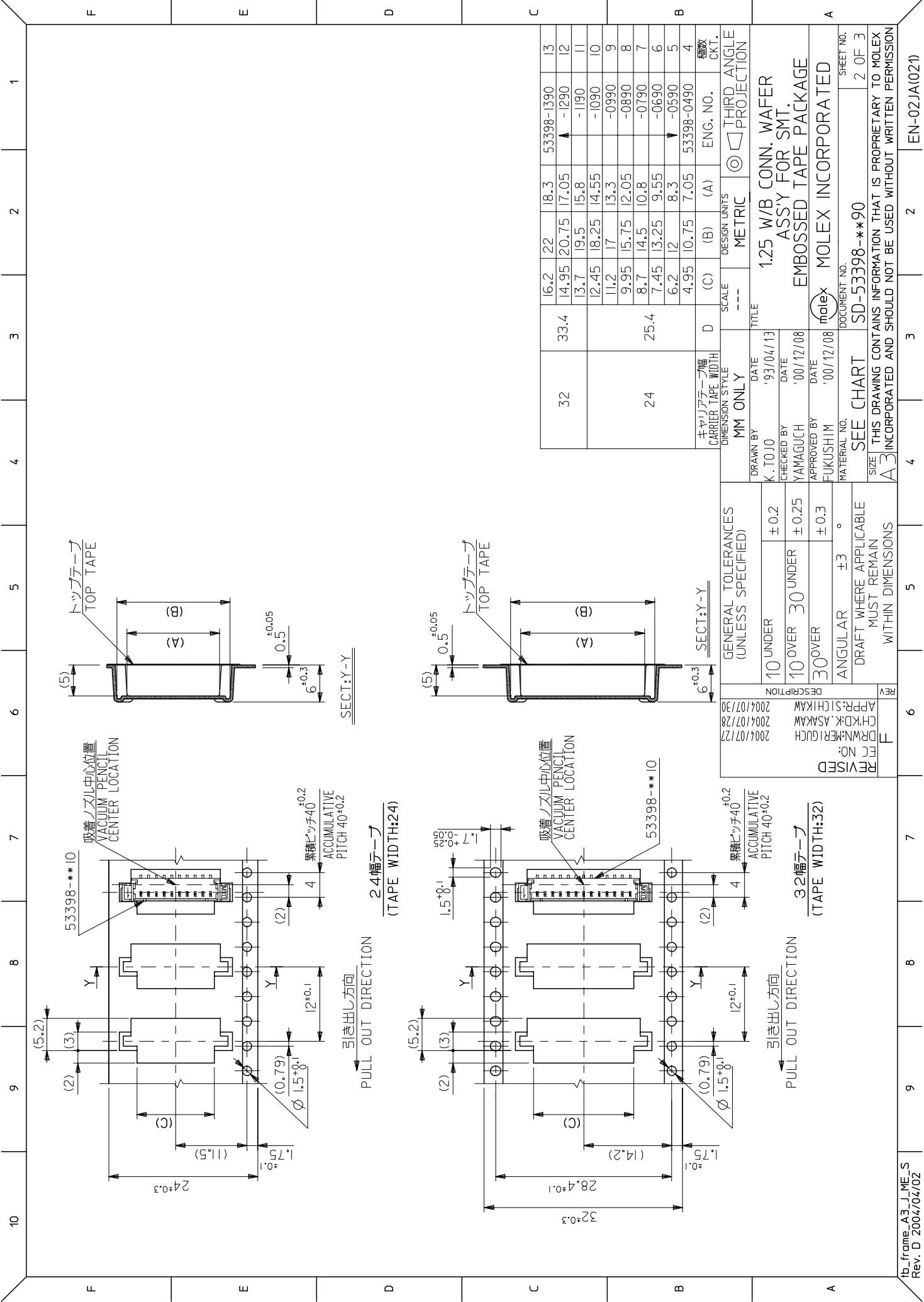
16	17.4	3.7	9.5	5.8	53398-0390	3
キャリアテープ幅 CARRIER TAPE WIDTH	D	2.45	8.25	4.55	53398-0290	2
MM ONLY	SCALE	---	---	---	---	---

DRAWN BY: K. TOJO '93/04/13  
CHECKED BY: YAMAGUCHI '00/12/08  
APPROVED BY: FUKUSHIMI '00/12/08  
MATERIAL NO. DOCUMENT NO. SD-53398-\*\*90

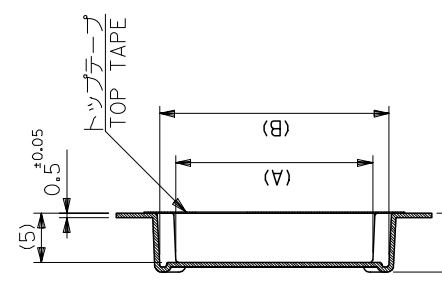
1.25 W/B CONN. WAFER  
ASS'Y FOR SMT.  
EMBOSSED TAPE PACKAGE

GENERAL TOLERANCES (UNLESS SPECIFIED)	10 UNDER ±0.2	10 OVER 30 UNDER ±0.25	30 OVER ±0.3	ANGULAR ±3 °
DRAFT WHERE APPLICABLE MUST REMAIN WITHIN DIMENSIONS				

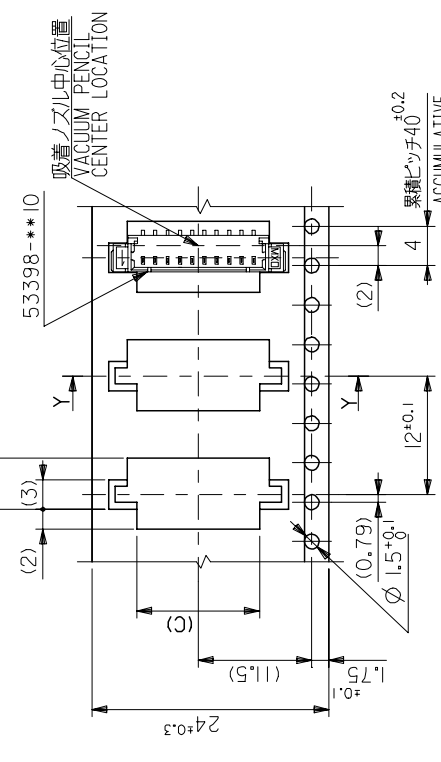
REVISED  
FC NO.  
DRAWN: KERRI GUCH  
CHK'D: ASAKAWA  
APP'R: S. CHIKAWA  
2004/10/28  
2004/10/28



SECT:Y-Y

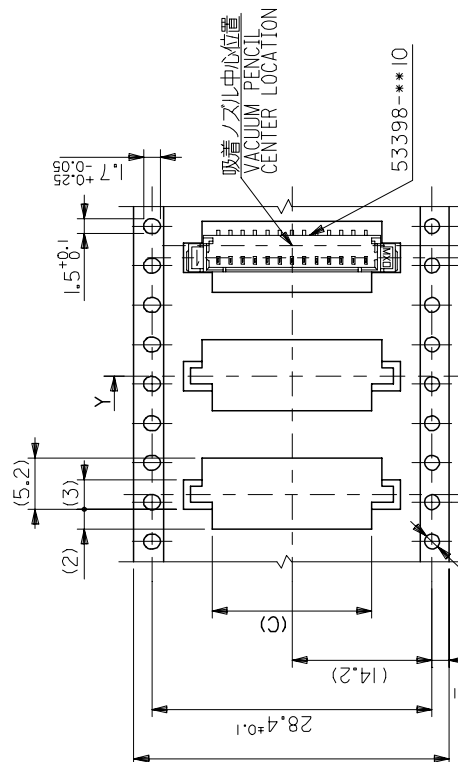


SECT:Y-Y



24ピンテープ  
(TAPE WIDTH:24)

引き出し方向  
PULL OUT DIRECTION

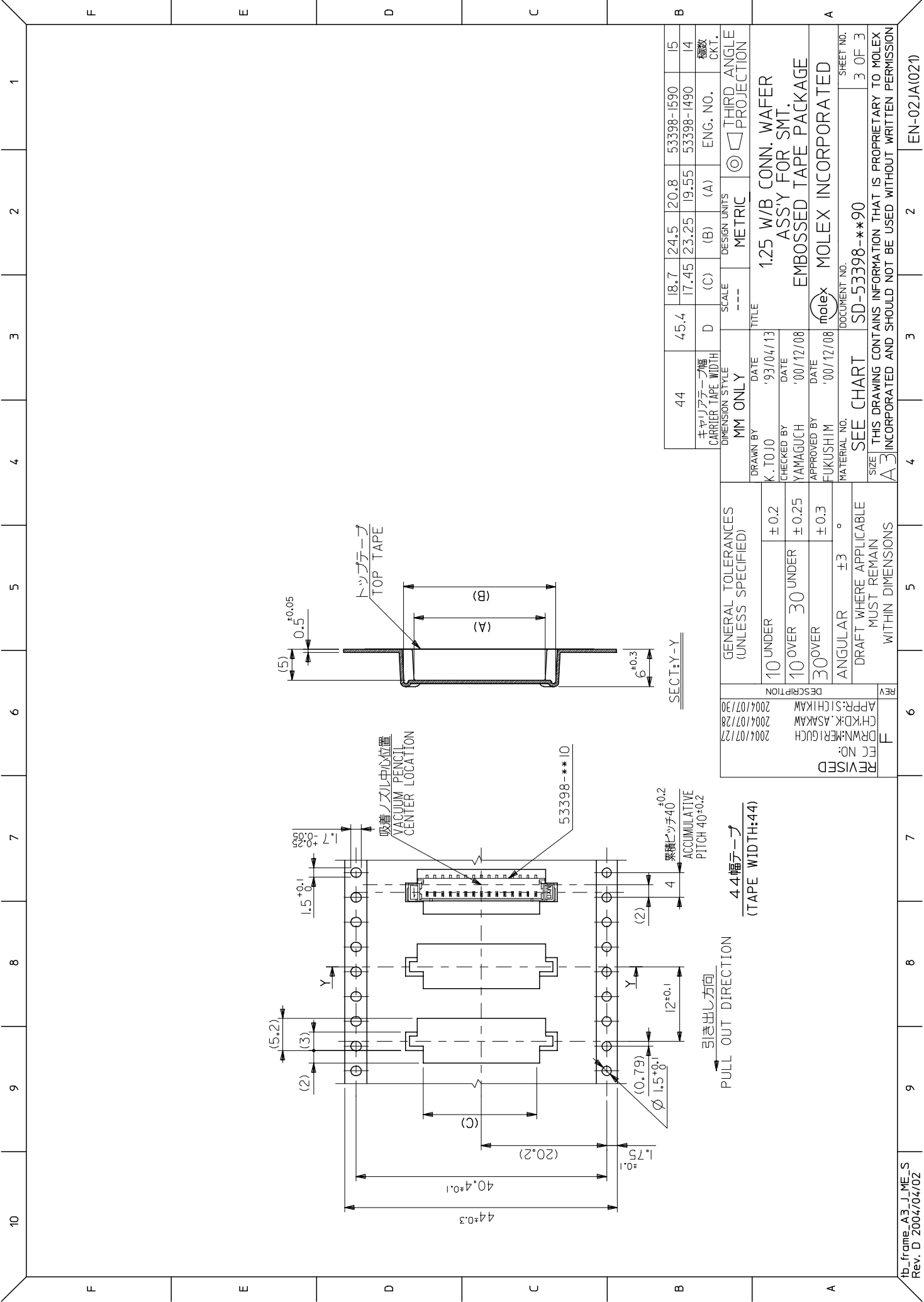


32ピンテープ  
(TAPE WIDTH:32)

引き出し方向  
PULL OUT DIRECTION

32	33.4	16.2	22	18.3	53398-1390	13
		14.95	20.75	17.05	-1290	12
		13.7	19.5	15.8	-1190	11
		12.45	18.25	14.55	-1090	10
		11.2	17	13.3	-0990	9
		9.95	15.75	12.05	-0890	8
		8.7	14.5	10.8	-0790	7
		7.45	13.25	9.55	-0690	6
		6.2	12	8.3	-0590	5
		4.95	10.75	7.05	53398-0490	4

キャリアテープ幅 CARRIER TAPE WIDTH	D	(C)	(B)	(A)	ENG. NO.	機敏 CKT.
SCALE	---	---	---	---	---	---
DESIGN UNITS	MM ONLY	METRIC	METRIC	METRIC	METRIC	THIRD ANGLE PROJECTION
TITLE	1.25 W/B CONN. WAFER ASS'Y FOR SMT. EMBOSSSED TAPE PACKAGE					
DRAWN BY	DATE	DOCUMENT NO.				
K.TOJO	'93/04/13	MOLEX INCORPORATED				
CHECKED BY	DATE	SHEET NO.				
YAMAGUCHI	'00/12/08	2 OF 3				
APPROVED BY	DATE	SIZE				
FUKUSHIM	'00/12/08	A3 THIS DRAWING CONTAINS INFORMATION THAT IS PROPRIETARY TO MOLEX INCORPORATED AND SHOULD NOT BE USED WITHOUT WRITTEN PERMISSION				
MATERIAL NO.	SEE CHART	REV				
SD-53398-**-90		F				
DESCRIPTION		REV				
APPS:CHIKAW		F				
CHKD:K.ASKAW		F				
DRWN:K.FRIKUCH		F				
FC NO.		F				
REVISED		F				



PULL OUT DIRECTION  
 44幅テープ  
 (TAPE WIDTH:44)

REV	DESCRIPTION
F	REVISED
E	FC NO.
D	DRWNG:MERI GUCH
C	CHKD:K. ASAKAW
B	APPR:SI:CHIKAW
A	2004/07/28
	2004/07/28
	2004/07/28

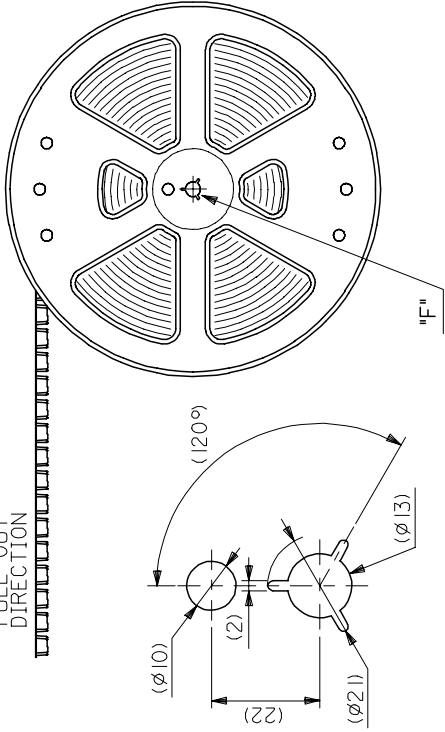
GENERAL TOLERANCES (UNLESS SPECIFIED)	
10 UNDER	$\pm 0.2$
10 OVER	$\pm 0.25$
30 OVER	$\pm 0.3$
ANGULAR	$\pm 3^\circ$
DRAFT WHERE APPLICABLE MUST REMAIN WITHIN DIMENSIONS	

DRAWN BY		DATE		TITLE	
K. TOJO		'93/04/13		1.25 W/B CONN. WAFER ASS'Y FOR SMT.	
CHECKED BY		DATE		TITLE	
YAMAGUCHI		'00/12/08		EMBOSSSED TAPE PACKAGE	
APPROVED BY		DATE		TITLE	
FUKUSHIM		'00/12/08		EMBOSSSED TAPE PACKAGE	
MATERIAL NO.		DOCUMENT NO.		SHEET NO.	
SEE CHART		SD-53398-**-90		3 OF 3	
SIZE THIS DRAWING CONTAINS INFORMATION THAT IS PROPRIETARY TO MOLEX INCORPORATED AND SHOULD NOT BE USED WITHOUT WRITTEN PERMISSION					
A3					

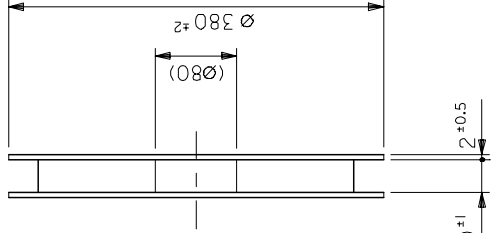
44	18.7	24.5	20.8	53398-1590	15
キャリアテープ幅 CARRIER TAPE WIDTH	17.45	23.25	19.55	53398-1490	14
MM ONLY	SCALE	DESIGN UNITS	METRIC	THIRD ANGLE PROJECTION	
	---	---			



引き出し方向  
PULL OUT DIRECTION



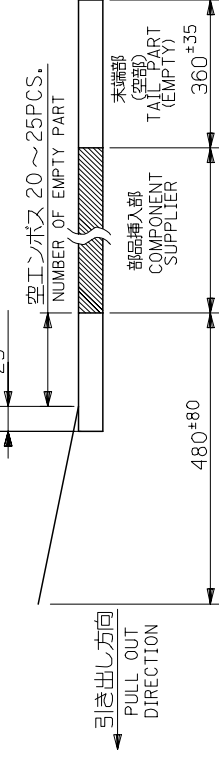
DETAIL "F"



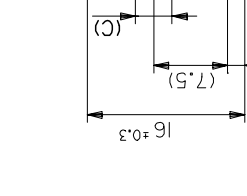
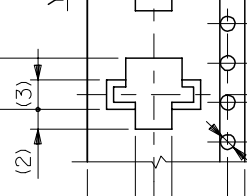
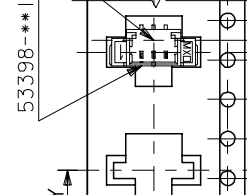
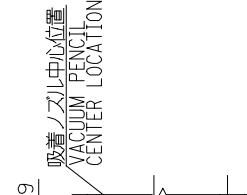
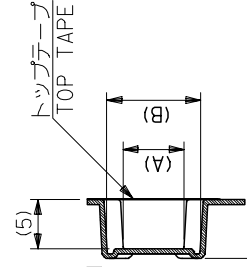
NOTES

1. 梱包数量: 1000個/リール  
NUMBER OF CONNECTOR: 1000PCS/REEL
2. リードテープ長さ  
LEAD TAPE LENGTH

トップテープ未接着部  
TOP TAPE  
NON-BONDED PART  
2.5±1.0



3. トップテープの剥離強度: 0.6±0.35N(60±35gf) (剥離方向は下図参照)  
PEELING OFF FORCE OF TOP TAPE: 0.6±0.35N(60±35gf)  
(PEELING DIRECTION IS SHOWN IN FOLLOWING FIG.)  
<剥離速度: 300mm/min (参考)>  
PEELING SPEED: 300mm/min (REFERENCE)



引き出し方向  
PULL OUT DIRECTION

16幅テープ  
(TAPE WIDTH: 16)

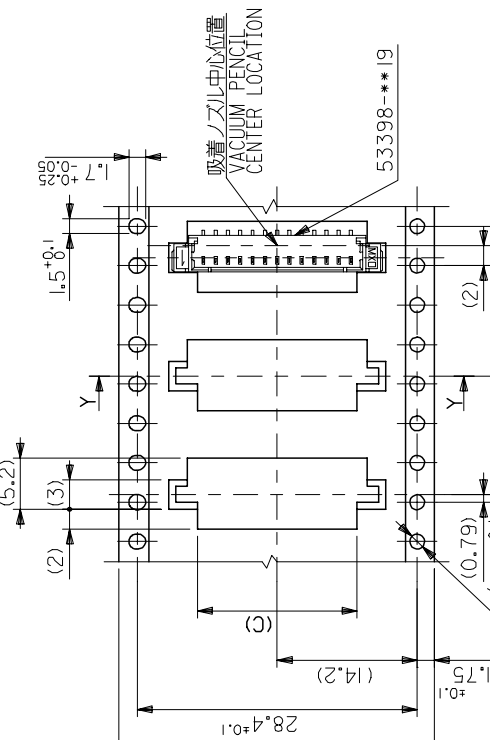
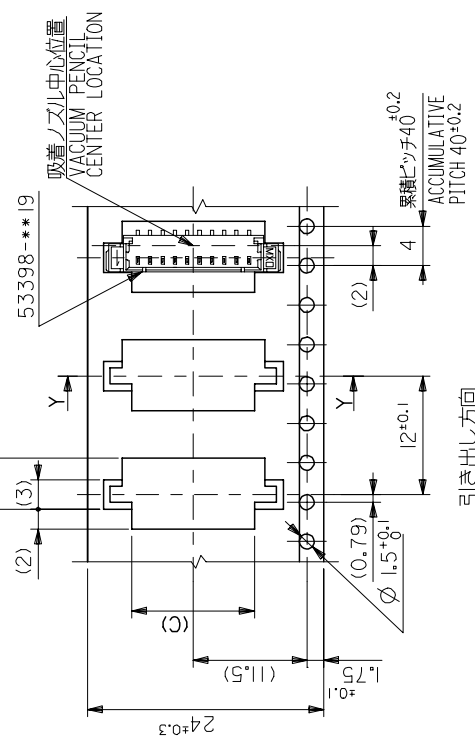
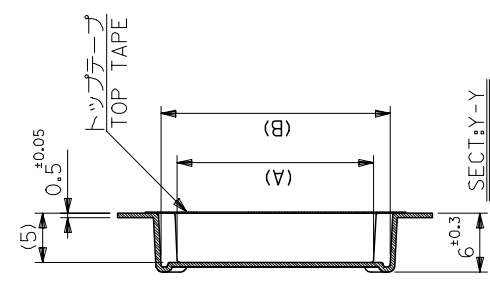
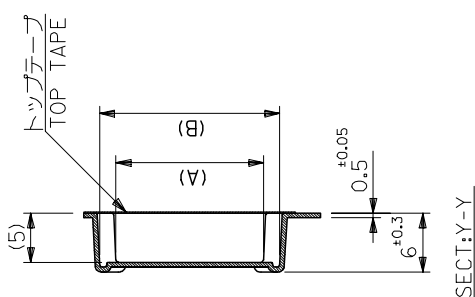
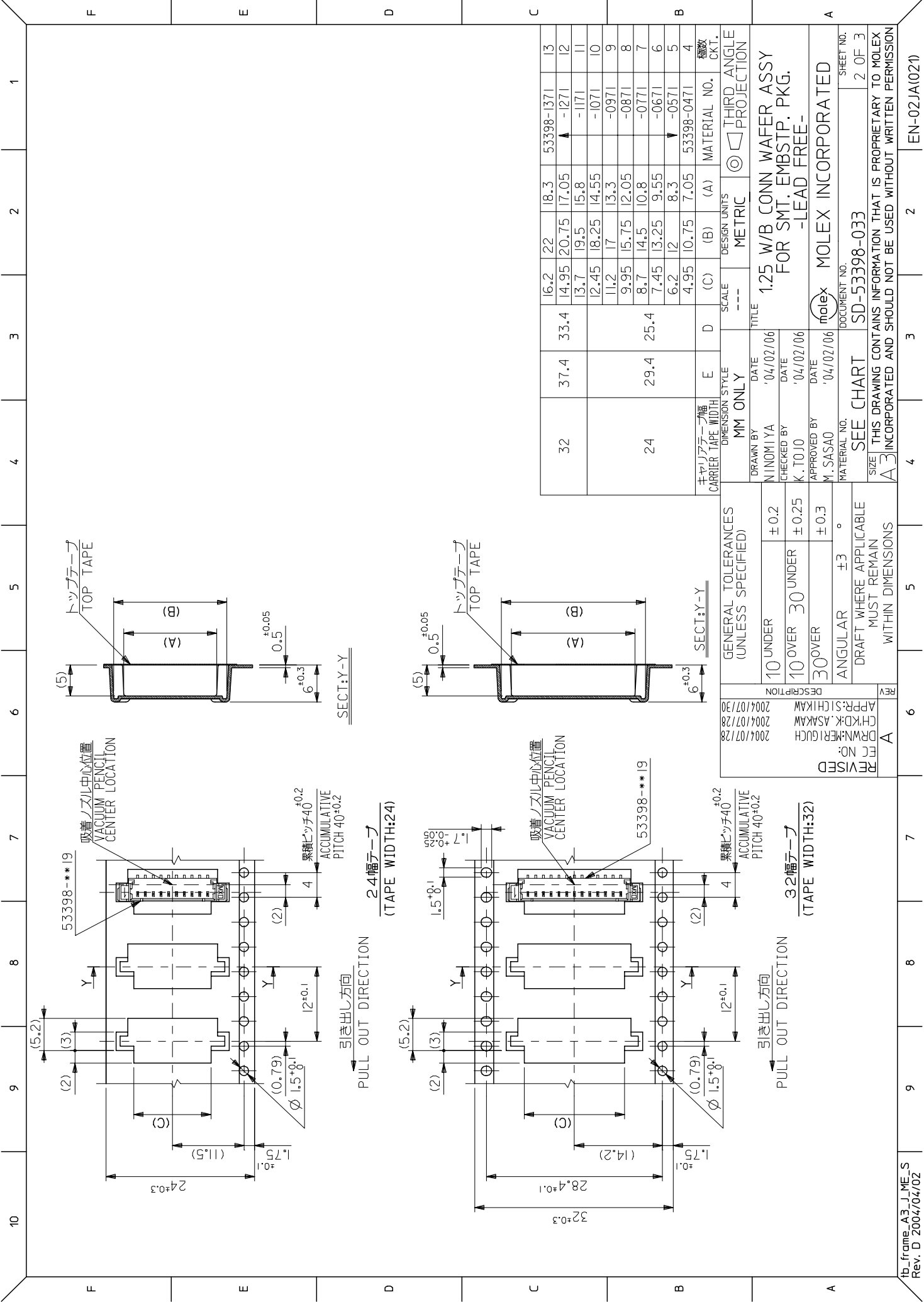
キャリアテープ幅 CARRIER TAPE WIDTH	21.4	17.4	3.7	9.5	5.8	53398-0371	3
MM ONLY	SCALE	DESIGN UNITS	METRIC	THIRD ANGLE PROJECTION			
2.45	8.25	4.55	53398-0271	2			
E	D	(C)	(B)	(A)	MATERIAL NO.	種数 CKT.	
DRAWN BY NINOMIYA		DATE '04/02/06		TITLE 1.25 W/B CONN WAFER ASSY FOR SMT. EMBSTP. PKG. -LEAD FREE-			
CHECKED BY K. TOJO		DATE '04/02/06					
APPROVED BY M. SASAO		DATE '04/02/06					
MATERIAL NO.		DOCUMENT NO.		MOLEX INCORPORATED		SHEET NO. 1 OF 3	
SEE CHART		SD-53398-033					
SIZE THIS DRAWING CONTAINS INFORMATION THAT IS PROPRIETARY TO MOLEX INCORPORATED AND SHOULD NOT BE USED WITHOUT WRITTEN PERMISSION							

GENERAL TOLERANCES (UNLESS SPECIFIED)
10 UNDER ±0.2
10 OVER 30 UNDER ±0.25
30 OVER ±0.3
ANGULAR ±3°
DRAFT WHERE APPLICABLE MUST REMAIN WITHIN DIMENSIONS

REV	DESCRIPTION
A	REVISED
	EC NO.
	DRWNG: KFR1GUCH
	CHKD: K. ASAKAW
	APP: S. CHIKAW
	2004/107/28
	2004/107/30

引き出し方向  
PULL OUT DIRECTION

16幅テープ  
(TAPE WIDTH: 16)



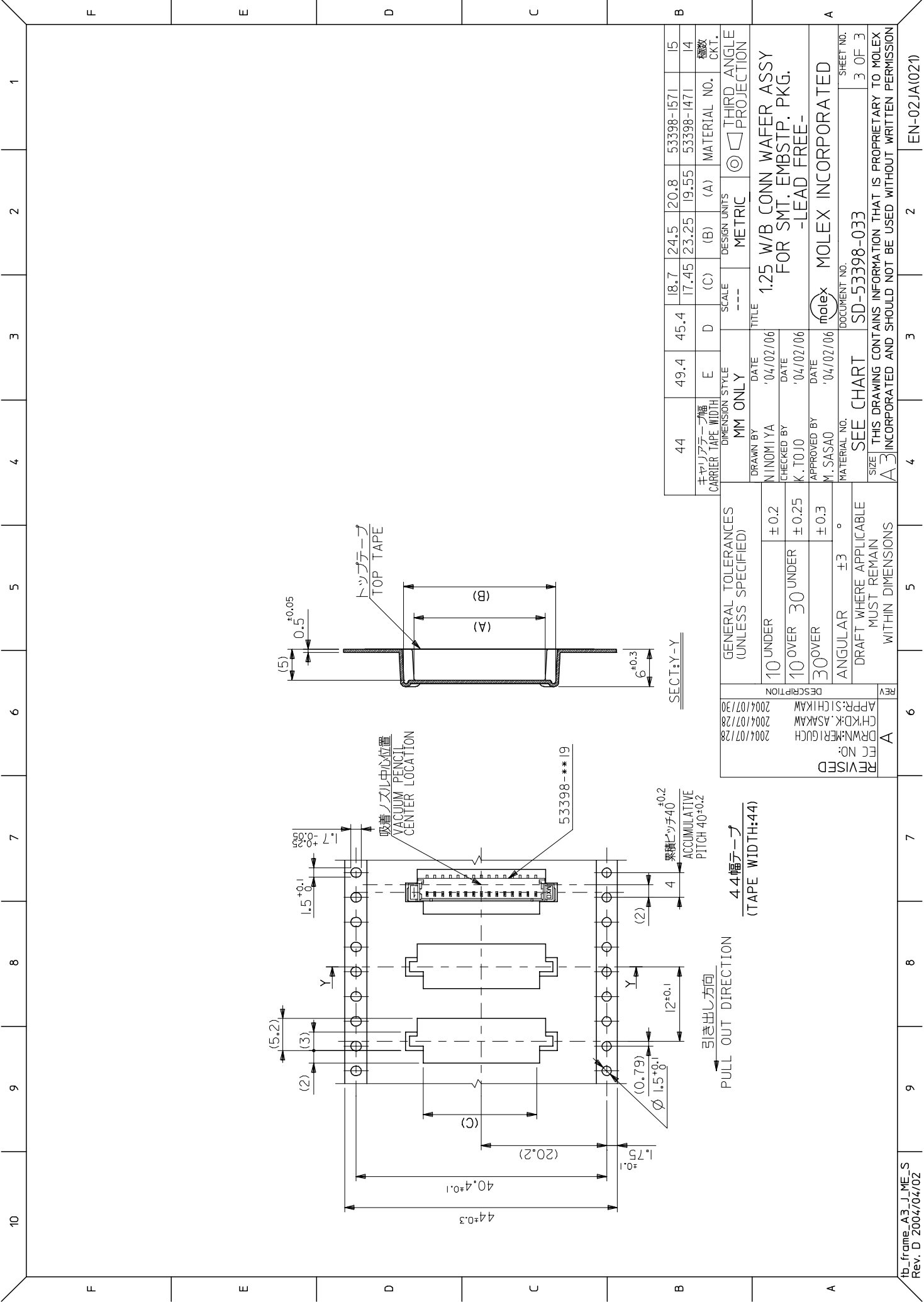
GENERAL TOLERANCES (UNLESS SPECIFIED)		
10 UNDER	±0.2	
10 OVER	30 UNDER	±0.25
30 OVER	±0.3	
ANGULAR	±3 °	
DRAFT WHERE APPLICABLE MUST REMAIN WITHIN DIMENSIONS		

REV	DESCRIPTION
A	REVISED
	PC NO.
	DRWNG:KFR1GUCH
	CHKD:K.ASKAW
	APP:SI:CHIKAW
	2004/107/28
	2004/107/30

SCALE	---	DESIGN UNITS	METRIC	THIRD ANGLE PROJECTION
TITLE	1.25 W/B CONN WAFER ASSY FOR SMT. EMBSTP. PKG. -LEAD FREE-			
DRAWN BY	NINOMIYA	DATE	'04/02/06	
CHECKED BY	K.TOJO	DATE	'04/02/06	
APPROVED BY	M. SASAO	DATE	'04/02/06	
MATERIAL NO.	DOCUMENT NO.	MOLEX INCORPORATED		
SEE CHART	SD-53398-033	SHEET NO. 2 OF 3		
THIS DRAWING CONTAINS INFORMATION THAT IS PROPRIETARY TO MOLEX INCORPORATED AND SHOULD NOT BE USED WITHOUT WRITTEN PERMISSION				

DIMENSION	STYLE	SCALE	DESIGN UNITS	THIRD ANGLE PROJECTION
MM ONLY	---	METRIC		
32	37.4	33.4	16.2 22 18.3 53398-1371	13
			14.95 20.75 17.05	12
			13.7 19.5 15.8	11
			12.45 18.25 14.55	10
			11.2 17 13.3	9
			9.95 15.75 12.05	8
			8.7 14.5 10.8	7
			7.45 13.25 9.55	6
			6.2 12 8.3	5
			4.95 10.75 7.05	4
キャリアテープ幅	E	D	(A)	機軸
CARRIER TAPE WIDTH			(A)	CKT.





PULL OUT DIRECTION  
引抜き出し方向

44幅テープ  
(TAPE WIDTH:44)

REV	DESCRIPTION
A	REVISED
	FC NO.
	DRWNG:MERI1GUCH
	CHKD:K. ASAKAW
	APPR:SIKIKAW
	2004/07/28
	2004/07/28
	2004/07/30

GENERAL TOLERANCES (UNLESS SPECIFIED)		
10 UNDER	±0.2	
10 OVER	30 UNDER	±0.25
30 OVER	±0.3	
ANGULAR	±3 °	
DRAFT WHERE APPLICABLE MUST REMAIN WITHIN DIMENSIONS		

44	49.4	45.4	18.7	24.5	20.8	53398-1571	I5
キャリアテープ幅 CARRIER TAPE WIDTH	E	D	(C)	(B)	(A)	MATERIAL NO.	機軸 CKT.
DIMENSION STYLE		SCALE	DESIGN UNITS		THIRD ANGLE PROJECTION		
MM ONLY		---	METRIC				
DRAWN BY	DATE	TITLE					
NINOMIYA	'04/02/06	1.25 W/B CONN WAFER ASSY FOR SMT. EMBSTP. PKG. -LEAD FREE-					
CHECKED BY	DATE	DOCUMENT NO.					
K. TOJO	'04/02/06	MOLEX INCORPORATED					
APPROVED BY	DATE	SHEET NO.					
M. SASAO	'04/02/06	3 OF 3					
MATERIAL NO.	DOCUMENT NO.	SD-53398-033					
SEE CHART	THIS DRAWING CONTAINS INFORMATION THAT IS PROPRIETARY TO MOLEX INCORPORATED AND SHOULD NOT BE USED WITHOUT WRITTEN PERMISSION						