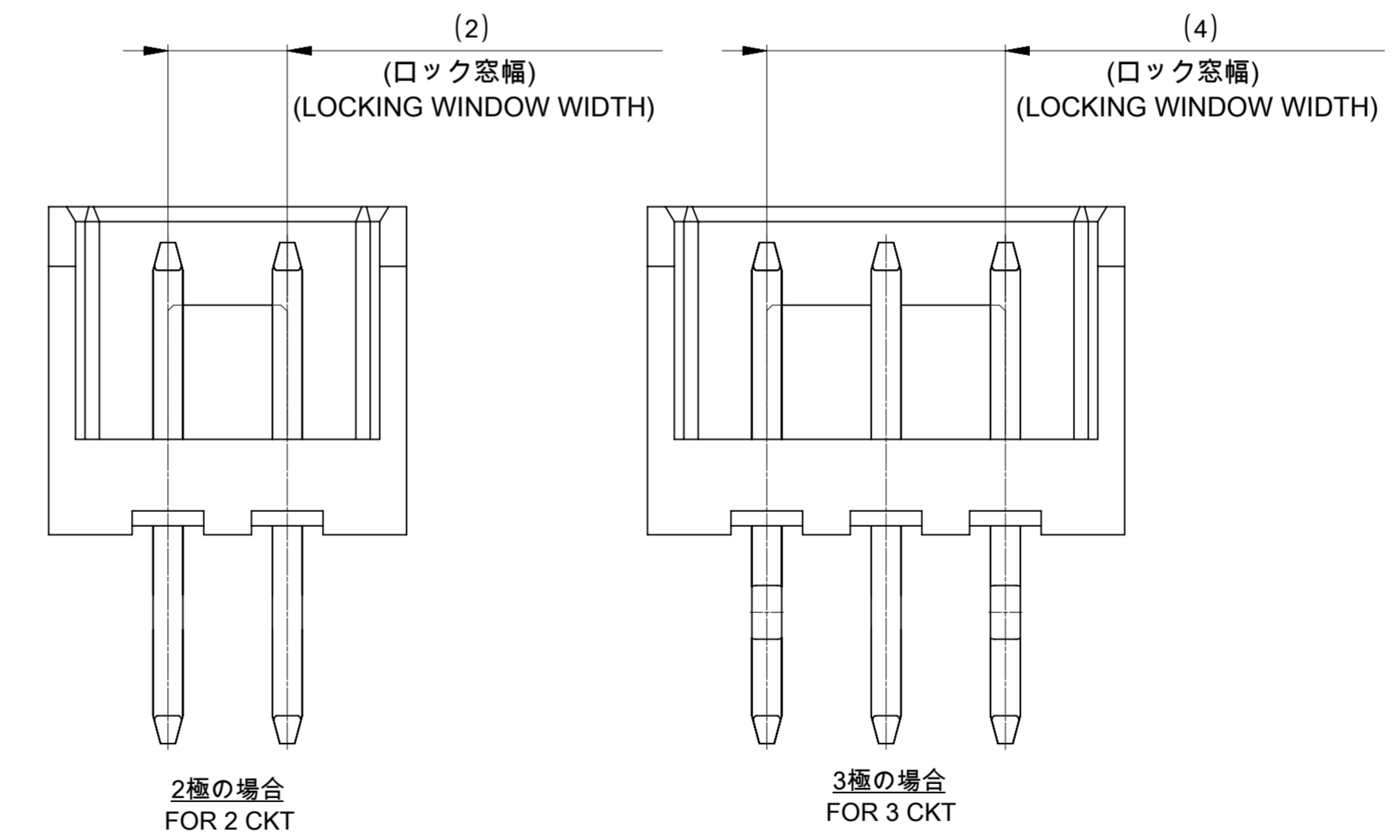
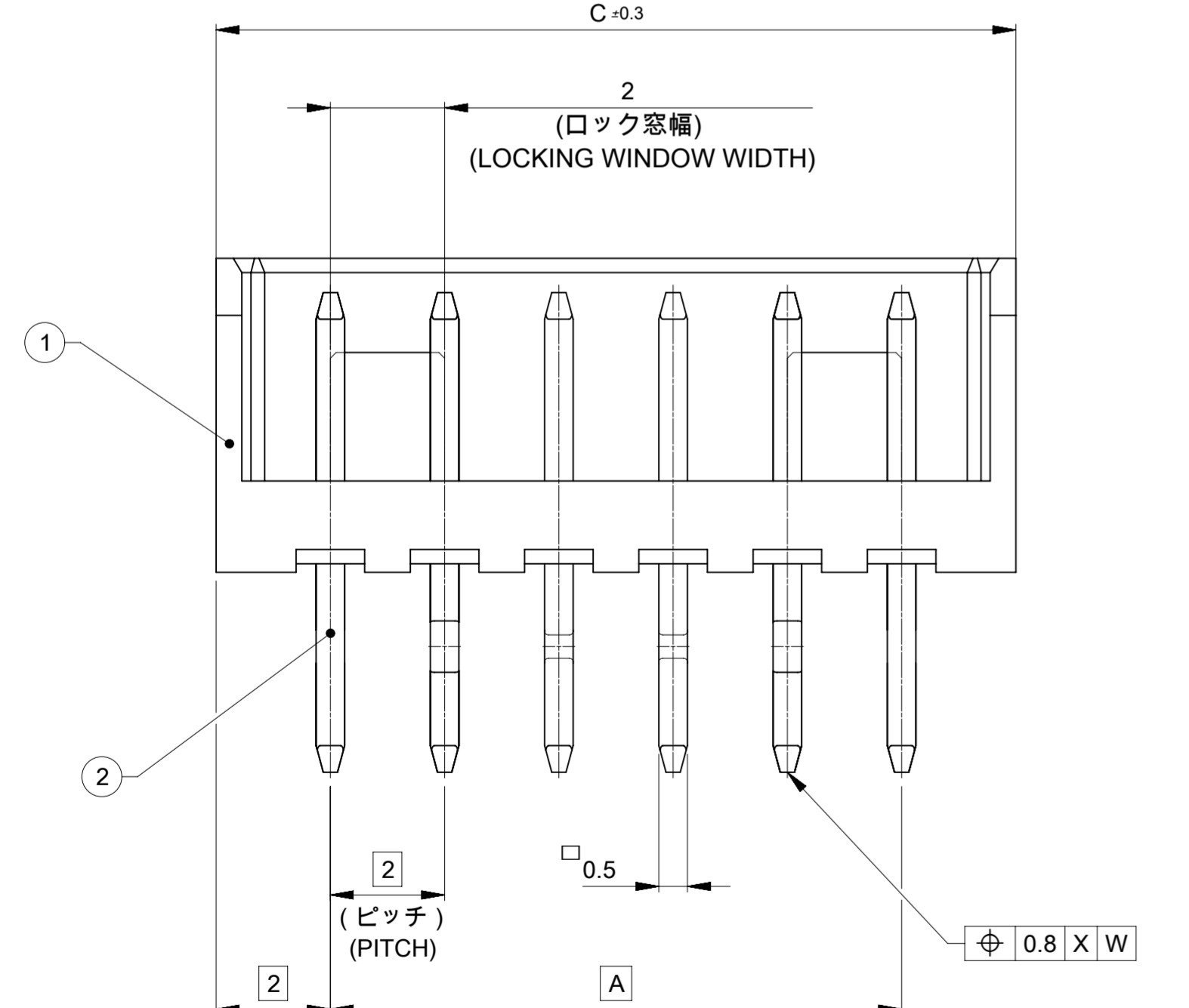
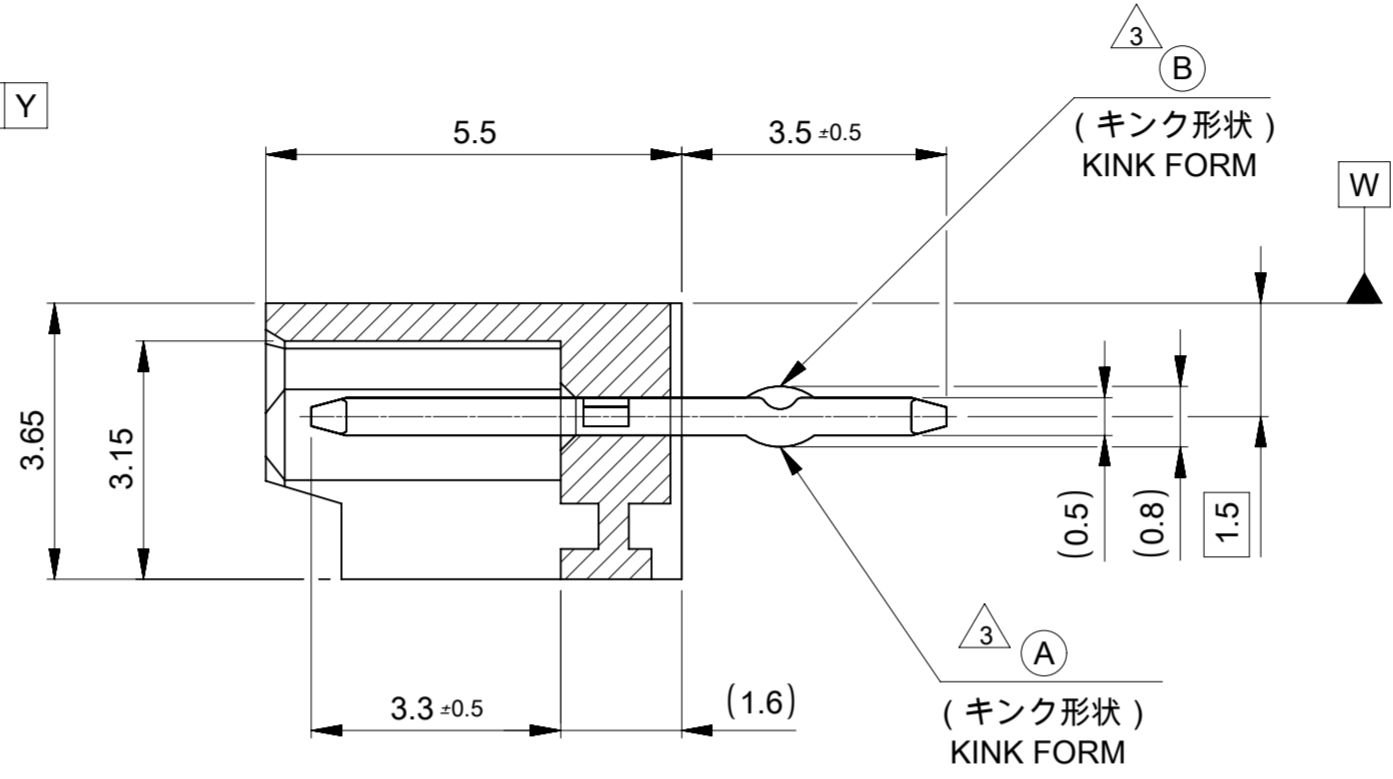


5. 基板取付穴寸法 (参考) (t = 1.6)  
RECOMMENDED P.C. BOARD HOLE DIMENSION (REFERENCE)



NOTES

- 材料及仕上げ (めっき仕様) : TABLE 1参照  
MATERIAL AND FINISHES: SEE TABLE 1
- 適用製品及び各種仕様書はSHEET 2をご参考ください。  
PLEASE REFER TO SHEET 2 FOR APPLICABLE PRODUCTS AND VARIOUS SPECIFICATIONS.
- キंकは下記表の位置及び形状に付加のこと。2極はキंक無し。  
KINK TO BE APPLIED AS FOLLOWS, 2 CIRCUIT HAS NO KINK.
- 本製品は錫めっき品です。金めっきは5026030000-SD/PSD/000を御参照ください。  
THIS PRODUCT IS A TIN PLATING, PLEASE REFER TO 5026030000-SD/PSD/000 FOR GOLD PLATING.
- PART-PCB間の実装には極性はありません。極数番号は記載していません。  
PART-TO-PCB MOUNTING IS NOT POLARIZED: NO CIRCUIT NUMBERING IS REQUIRED.

極数 CKT	回路番号 CIRCUIT NO							
	1	2	3	4	5	N-2	N-1	N
6極以上 MORE THAN 6 CKT	-	(A)	(B)	-	-	(B)	(A)	-
5極 5CKT	(A)	(B)	-	(B)	(A)			
4極 4CKT	(A)	(B)	(B)	(A)				
3極 3CKT	(A)	(B)	(A)					

32	31.1	28	532531570	15
30	29.1	26	532531470	14
28	27.1	24	532531370	13
26	25.1	22	532531270	12
24	23.1	20	532531170	11
22	21.1	18	532531070	10
20	19.1	16	532530970	9
18	17.1	14	532530870	8
16	15.1	12	532530770	7
14	13.1	10	532530670	6
12	11.1	8	532530570	5
10	9.1	6	532530470	4
8	7.1	4	532530370	3
6	5.1	2	532530270	2
C	B	A	トレイ TRAY	極数 CKT
			材料番号 MATERIAL NO	

THIS DRAWING CONTAINS INFORMATION THAT IS PROPRIETARY TO MOLEX ELECTRONIC TECHNOLOGIES, LLC AND SHOULD NOT BE USED WITHOUT WRITTEN PERMISSION

DIMENSION UNITS	SCALE	CURRENT REV	DESC:
mm	NTS	2019/09/24	REDRAWN AND REVISED
GENERAL TOLERANCES (UNLESS SPECIFIED)			
ANGULAR TOL	± 3.0°	EC NO: 636761	
4 PLACES	± 0.2	DRWN:	HUSSIN
3 PLACES	± 0.2	CHK'D:	SAKIYAMA
2 PLACES	± 0.2	APPR:	KOMURAKAMI
1 PLACE	± 0.2	INITIAL REVISION:	
0 PLACES	± 0.2	DRWN:	HUSSIN
DRAFT WHERE APPLICABLE MUST REMAIN WITHIN DIMENSIONS			
THIRD ANGLE PROJECTION	DRAWING	SERIES	53253

**molex**

MICRO-LATCH 2.0 WTB  
VERTICAL HEADER ASSY

PRODUCT CUSTOMER DRAWING

DOCUMENT NUMBER: 532530000-SD  
DOC TYPE: PSD  
DOC PART: 000  
REVISION: A

MATERIAL NUMBER: GENERAL  
CUSTOMER: GENERAL  
SHEET NUMBER: 1 OF 2

NO	部品 PART	材質 MATERIAL
①	ハウジング HOUSING	ポリアミド(PA)、UL94V-0、色: ナチュラル (ベージュ) POLYAMIDE(PA), UL94V-0, COLOR: NATURAL (BEIGE)
②	ターミナル TERMINAL	黄銅 BRASS
		下地めっき UNDER PLATING めっき PLATING
		ニッケルめっき : 0.5 micro-meters MIN NICKEL PLATING: 0.5 micro-meters MIN
		リフロー処理 (前めっき) REFLOW TREATMENT (PRE-PLATING)

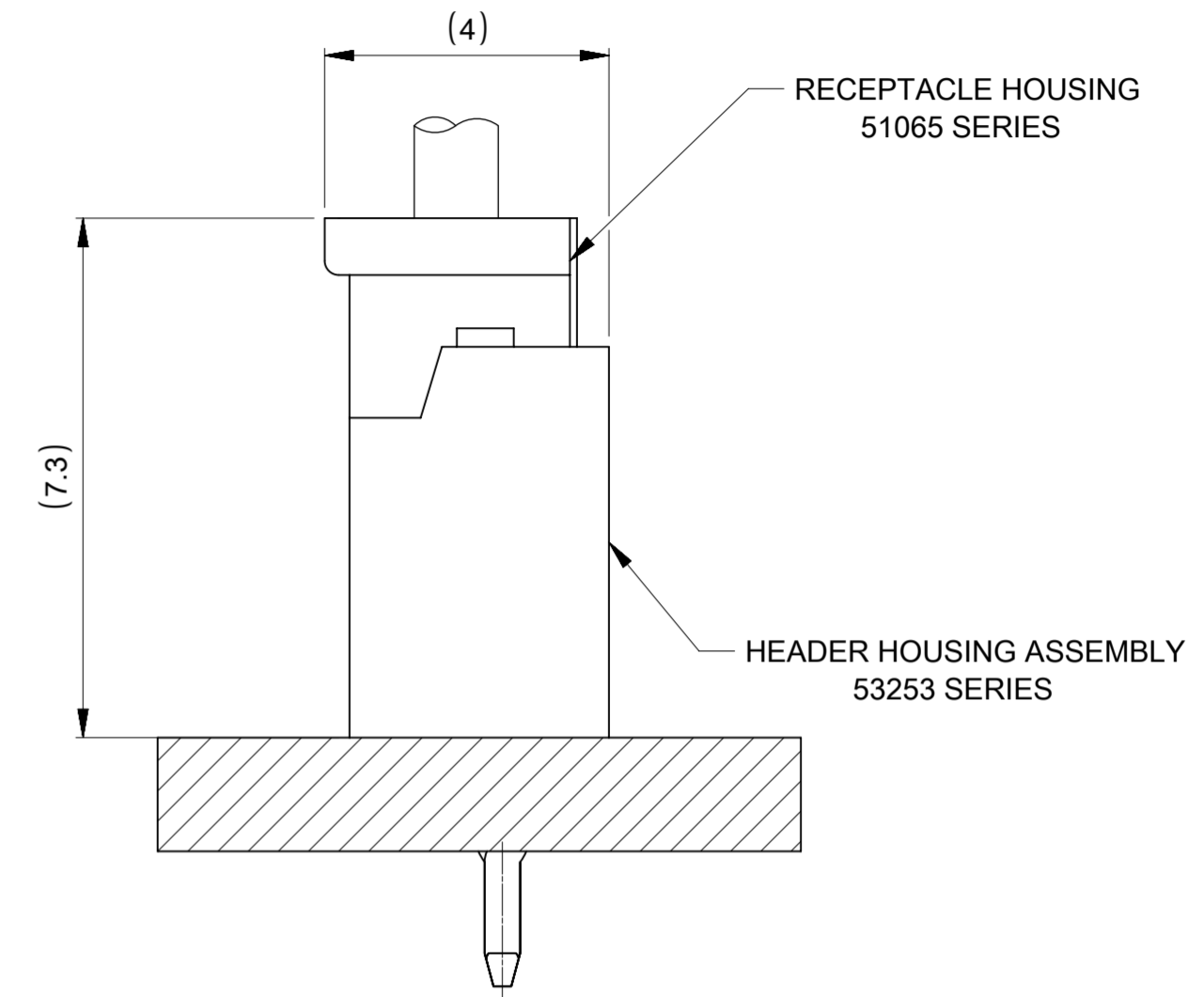
DOCUMENT STATUS	P1	RELEASE DATE	2020/05/01	01:51:29
-----------------	----	--------------	------------	----------

△ 適用製品及び各種仕様書  
**APPLICABLE PRODUCTS AND VARIOUS SPECIFICATIONS**

梱包仕様書 PACKING SPECIFICATION	PART NUMBER	SPECIFICATION NUMBER
	53253**70	SPK-53253-001

適用ハウジング APPLICABLE HOUSING	SINGLE TYPE
シリーズ番号 SERIES NO	51065
製品仕様書 PRODUCT SPECIFICATION	510650000-PS/PS/000

適用端子 APPLICABLE TERMINAL	PART NUMBER	PLATING TYPE	WIRE SIZE (AWG)
	502128*00	TIN	#24-30
	503728*00		#22-26



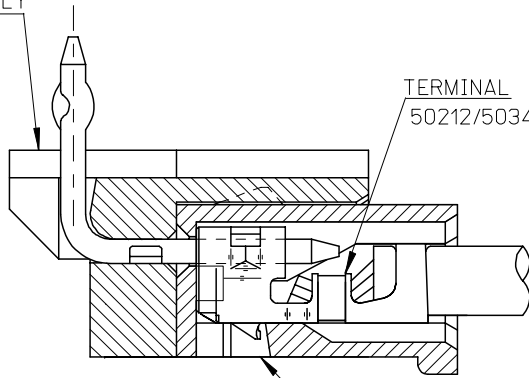
51065シリーズ/53253シリーズ 嵌合状態図 参考  
 51065 SERIES/ 53253 SERIES MATED DRAWING (REF)

THIS DRAWING CONTAINS INFORMATION THAT IS PROPRIETARY TO MOLEX ELECTRONIC TECHNOLOGIES, LLC AND SHOULD NOT BE USED WITHOUT WRITTEN PERMISSION											
DIMENSION UNITS	SCALE	CURRENT REV DESC: REDRAWN AND REVISED				<b>molex</b>					
mm	NTS										
GENERAL TOLERANCES (UNLESS SPECIFIED)						MICRO-LATCH 2.0 WT VERTICAL HEADER ASSY					
ANGULAR TOL	± 3.0°	EC NO: 636761				PRODUCT CUSTOMER DRAWING					
4 PLACES	± 0.2	DRWN: HHUSSIN		2019/09/24		DOCUMENT NUMBER					
3 PLACES	± 0.2	CHK'D: SAKIYAMA		2020/04/30							
2 PLACES	± 0.2	APPR: KOMURAKAMI		2020/05/01		532530000-SD		DOC TYPE	DOC PART	REVISION	
1 PLACE	± 0.2	INITIAL REVISION:						PSD	000	A	
0 PLACES	± 0.2	DRWN: HHUSSIN		2019/09/24		MATERIAL NUMBER		CUSTOMER		SHEET NUMBER	
DRAFT WHERE APPLICABLE MUST REMAIN WITHIN DIMENSIONS		APPR: KOMURAKAMI		2020/05/01							
		THIRD ANGLE PROJECTION	DRAWING	SERIES	53253	GENERAL		2 OF 2			

10 9 8 7 6 5 4 3 2 1

F

HEADER HOUSING ASSEMBLY  
53254SERIES



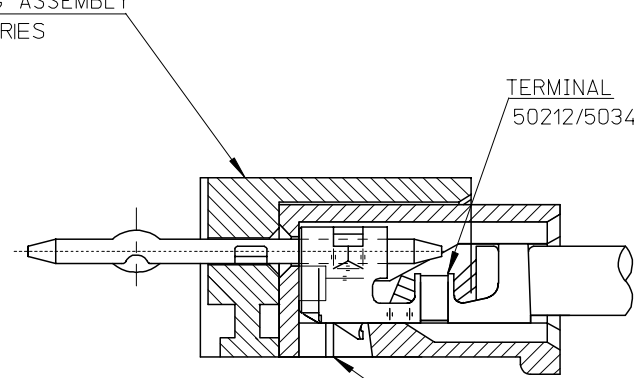
TERMINAL  
50212/50346 SERIES

RECEPTACLE HOUSING  
51065 SERIES

51065シリーズ/53254シリーズ 嵌合状態図 参考  
51065 SERIES/53254 SERIES MATED DRAWING (REF.)

F

HEADER HOUSING ASSEMBLY  
53253SERIES



TERMINAL  
50212/50346 SERIES

RECEPTACLE HOUSING  
51065 SERIES

51065シリーズ/53253シリーズ 嵌合状態図 参考  
51065 SERIES/53253 SERIES MATED DRAWING (REF.)

E

E

D

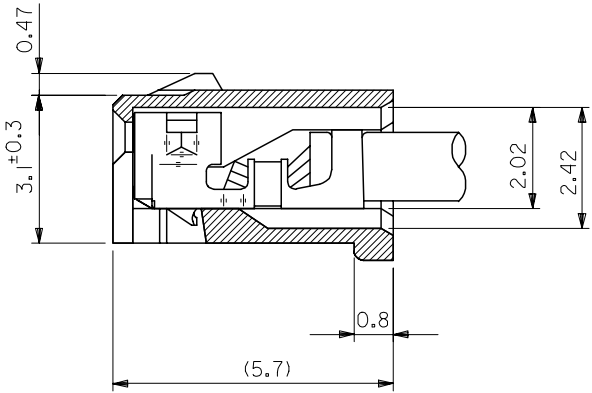
D

C

C

B

B



ターミナル装着状態図  
TERMINAL ASS'Y DWG.

RELEASED EC NO: J2008-2041 DRWN: AOYAGI 2007/11/21 CHKD: THARUYAMA 2007/11/22 APPR: NUKITA 2007/11/22	GENERAL TOLERANCES (UNLESS SPECIFIED)		DIMENSION STYLE MM ONLY	SCALE 10:1	DESIGN UNITS METRIC	THIRD ANGLE PROJECTION
	10 UNDER	±0.2	DRAWN BY Y. AOYAGI	DATE 2007/11/13	TITLE NEW 2.0 W/B CONN. 51065/53253OR51065/53254	
	10 OVER 30 UNDER	±0.25	CHECKED BY N. UKITA	DATE 2007/11/13	MOLEX INCORPORATED	
	30 OVER	±0.3	APPROVED BY N. UKITA	DATE 2007/11/13		
	ANGULAR	±1 °	MATERIAL NO.	SEE TABLE	DOCUMENT NO. SD-51065-006	SHEET NO. 1 OF 1
0	DRAFT WHERE APPLICABLE MUST REMAIN WITHIN DIMENSIONS		SIZE A3	THIS DRAWING CONTAINS INFORMATION THAT IS PROPRIETARY TO MOLEX INCORPORATED AND SHOULD NOT BE USED WITHOUT WRITTEN PERMISSION		

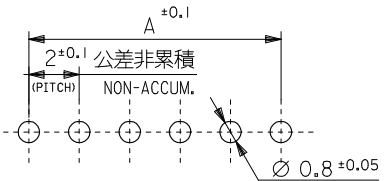
注記 NOTES

1. 嵌合相手：51065 シリーズ  
MATE WITH : 51065 SERIES
2. 材質 MATERIAL  
ウエハー：ポリアミド、UL94V-0 色：ナチュラル(白)  
WAFER : POLYAMIDE, UL94V-0 COLOR:NATURAL (WHITE)  
ピン：黄銅、錫メッキ  
PIN : BRASS, TIN(Sn) PLATING
3. キングは下記表の位置及び形状に付加のこと。2極はキング無し。  
KINK TO BE APPLIED AS FOLLOWS,  
2 CIRCUIT HAS NO KINK.

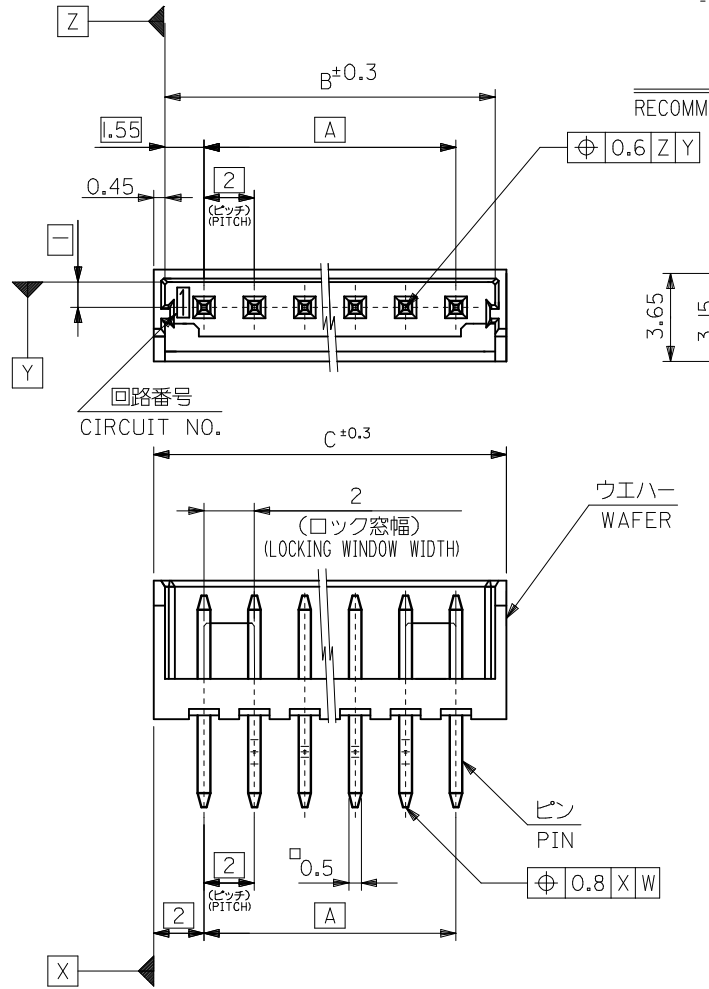
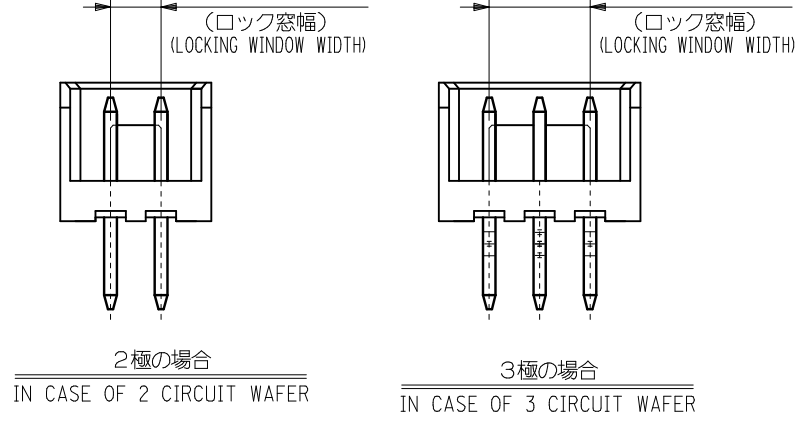
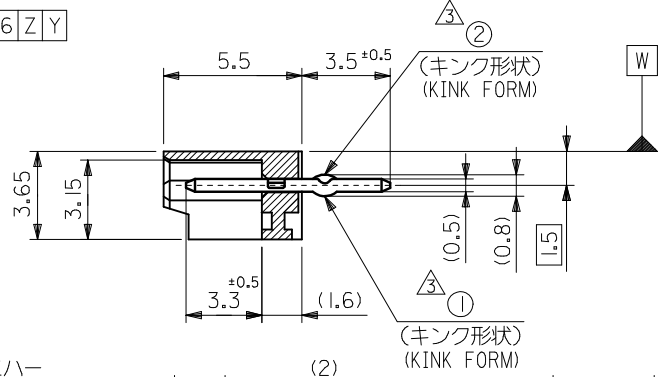
回路番号 Circuit No.	極数 Ckt							
	1	2	3	4	5	N-2	N-1	N
6 極以上 MORE THAN 6 Ckt	—	①	②	—	—	②	①	—
5 極 5 Ckt	①	②	—	②	①			
4 極 4 Ckt	①	②	②	①				
3 極 3 Ckt	①	②	①					

4. 本製品は、53253\*\*10の鉛フリー品です。  
THIS PRODUCT IS LEAD FREE OF 53253\*\*10.
5. 梱包仕様 PACKAGING  
53253\*\*70 トレー TRAY  
53253\*\*50 ポリ袋 POLYBAG

32	31.1	28	532531550	53253 1570	15
30	29.1	26	1450	1470	14
28	27.1	24	1350	1370	13
26	25.1	22	1250	1270	12
24	23.1	20	1150	1170	11
22	21.1	18	1050	1070	10
20	19.1	16	0950	0970	9
18	17.1	14	0850	0870	8
16	15.1	12	0750	0770	7
14	13.1	10	0650	0670	6
12	11.1	8	0550	0570	5
10	9.1	6	0450	0470	4
8	7.1	4		0370	3
6	5.1	2	532530250	53253 0270	2
C	B	A	MATERIAL NO.	MATERIAL NO.	極数
			MODEL NO.	53253**70/**50	



基板取付穴寸法 (参考) (t=1.6)  
RECOMMENDED P.C. BOARD HOLE DIM. (REFERENCE)



REVISED EC NO: J2016-0718 DRWN: SSIHMONISHI 2016/01/18 CHKD: MURAKAMI 2016/01/18 APPR: KANEKO 2016/02/16	GENERAL TOLERANCES (UNLESS SPECIFIED)		DIMENSION STYLE MM ONLY		SCALE 5:1	DESIGN UNITS METRIC	THIRD ANGLE PROJECTION
	10 UNDER	$\pm 0.2$	DRAWN BY T. TSUBOI	DATE '04/01/15	TITLE NEW 2.0 WIRE TO BOARD CONN. WAFER ASSY (ST.) -LEAD FREE-		
	10 OVER 30 UNDER	$\pm 0.25$	CHECKED BY S. MARUYAMA	DATE '04/01/15	<b>molex</b> SD-53253-001 SHEET NO. 1 OF 1		
	30 OVER	$\pm 0.3$	APPROVED BY M. SASAO	DATE '04/01/15			
	ANGULAR $\pm 3^\circ$	MATERIAL NO. SEE CHART		DOCUMENT NO. SD-53253-001		SHEET NO. 1 OF 1	
	DRAFT WHERE APPLICABLE MUST REMAIN WITHIN DIMENSIONS	THIS DRAWING CONTAINS INFORMATION THAT IS PROPRIETARY TO MOLEX INCORPORATED AND SHOULD NOT BE USED WITHOUT WRITTEN PERMISSION					