

嵌合図
MATED CONNECTORS

NOTES

1. 嵌合相手: 502380-****
MATE WITH: 502380-****
2. 端子テール部 及び ネイルの平坦度: 0.1MAX.
TAIL AND NAIL COPLANARITY TO BE 0.1 MAX.
3. 極数/2=偶数に適用。
APPLY FOR CKT. SIZE / 2 = EVEN.
4. 端子テール部 及び ネイルに錫めっきを使用しているため、
外観に摺動痕が付く場合が御座います。
THE WOUND OF FRICTION MIGHT ADHERE TO EXTERNALS
BECAUSE THE TIN PLATING IS USED FOR THA TAIL AND NAIL.
5. 本製品のプラスチック部に黒点等が確認される場合や
色合いが異なる場合がありますが、製品性能に影響はありません。
THERE IS NO INFLUENCE IN THE PRODUCT PERFORMANCE THOUGH
THE BLACK SPOT ETC. MIGHT BE CONFIRMED TO THE PLASTIC PART
OF THIS PRODUCT AND THE SHADE MIGHT BE DIFFERENT.
6. ELV及びRoHS適合品
ELV AND RoHS COMPLIANT

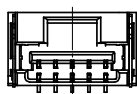
3.4	7.5	11	12.1	502382-0772	502382-0708	502382-0770	502382-0709	7
3.4	6.25	9.75	10.85	502382-0672	502382-0608	502382-0670	502382-0609	6
3.4	5	8.5	9.6	502382-0572	502382-0508	502382-0570	502382-0509	5
3.4	3.75	7.25	8.35	502382-0472	502382-0408	502382-0470	502382-0409	4
2.7	2.5	6	7.1	502382-0372	502382-0308	502382-0370	502382-0309	3
2.3	1.25	4.75	5.85	502382-0272	502382-0208	502382-0270	502382-0209	2
D	C	B	A	EMBOSSD TAPE PACKAGE オーダー番号ORDER No. MATERIAL NO.		EMBOSSD TAPE PACKAGE オーダー番号ORDER No. MATERIAL NO.		極数 (CKT. NO.)
				WITH CAPTON TAPE		WITHOUT CAPTON TAPE		

番号 NO.	部品 PART	材質 MATERIAL
①	ハウジング HOUSING	耐熱性樹脂 UL94V-0 色: ナチュラル HEATPROOF RESIN UL94V-0 COLOR:NATURAL
②	ターミナル TERMINAL	銅合金 COPPER ALLOY 錫めっき: 1.0 micro-meter MIN. TIN (TAIL AREA)
		ニッケルめっき(下地): 1.0 micro-meter MIN. NICKEL (UNDER PLATING)
③	ネイル NAIL	銅合金 COPPER ALLOY 錫めっき: 1.0 micro-meter MIN. TIN
		ニッケルめっき(下地): 1.0 micro-meter MIN. NICKEL (UNDER PLATING)

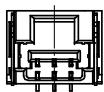
REVISED EC NO: J2008-3785 DRW:KASETO 2008/04/30 CHK:D.KASAKAWA 2008/05/07 APPR: S.ICHIKAWA 2008/05/07 REV	GENERAL TOLERANCES (UNLESS SPECIFIED)		DIMENSION STYLE MM ONLY		SCALE 5:1	DESIGN UNITS METRIC	THIRD ANGLE PROJECTION	
	10 UNDER	±0.2	DRAWN BY DATE T. MIYAZAKI 2006/08/28		TITLE 1.25 W/B CONN. SINGLE S/T REC. ASS'Y 2-7CKT.			
	10 OVER 30 UNDER	±0.25	CHECKED BY DATE K. ASAKAWA 2006/08/28					
	30 OVER	±0.3	APPROVED BY DATE YO. ITO 2006/08/28		MOLEX INCORPORATED			
	ANGULAR	±3	MATERIAL NO.					
DRAFT WHERE APPLICABLE MUST REMAIN WITHIN DIMENSIONS			SEE TABLE		SD-502382-001		1 OF 2	
SIZE A3 THIS DRAWING CONTAINS INFORMATION THAT IS PROPRIETARY TO MOLEX INCORPORATED AND SHOULD NOT BE USED WITHOUT WRITTEN PERMISSION								



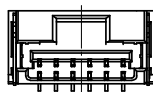
2 CKT.



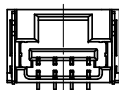
5 CKT.



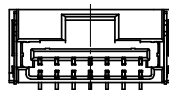
3 CKT.



6 CKT.

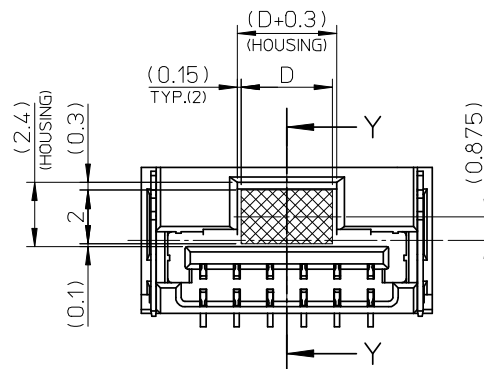


4 CKT.

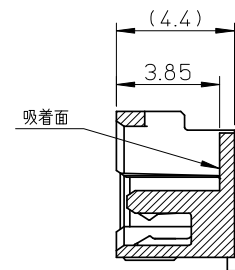


7 CKT.

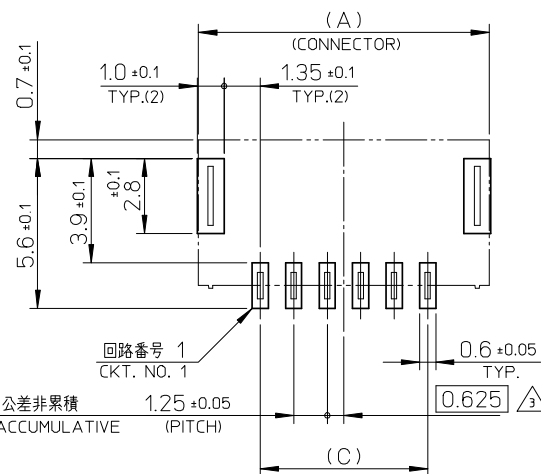
極数の種類
KIND OF CKT. NO. (FRONT VIEW)



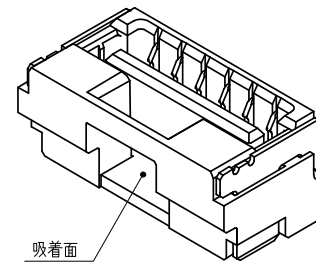
吸着範囲
VACUUM AREA



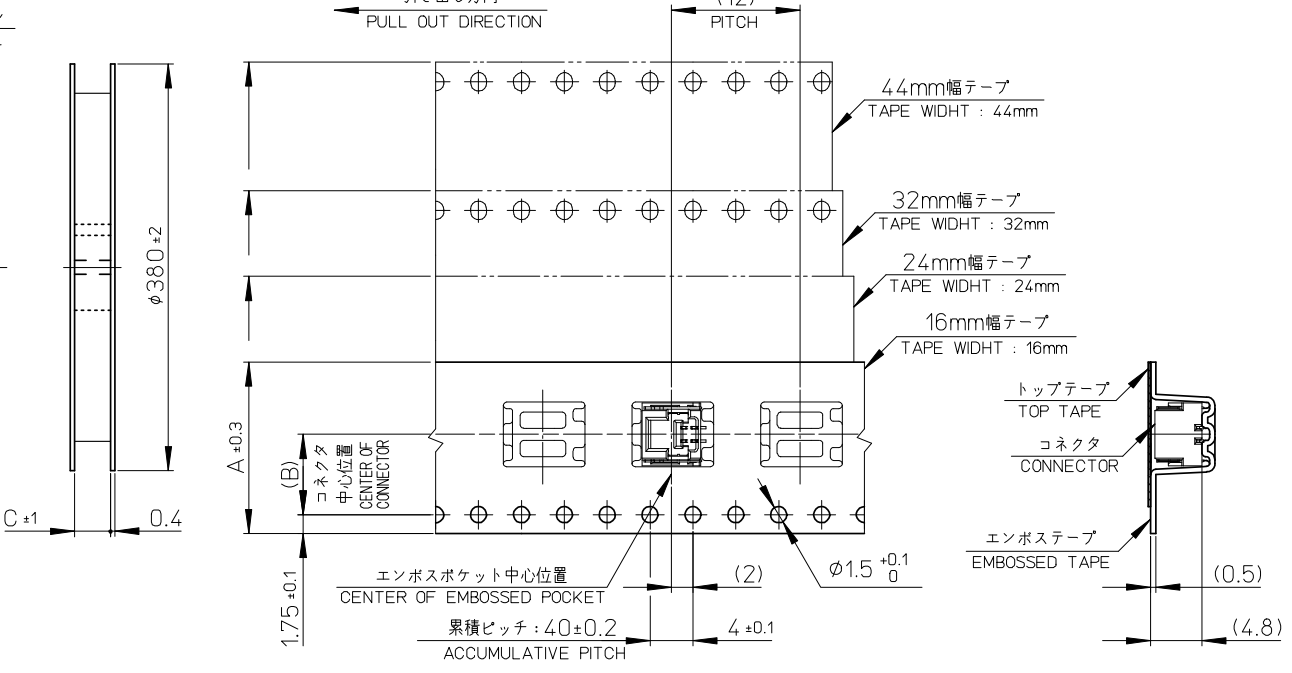
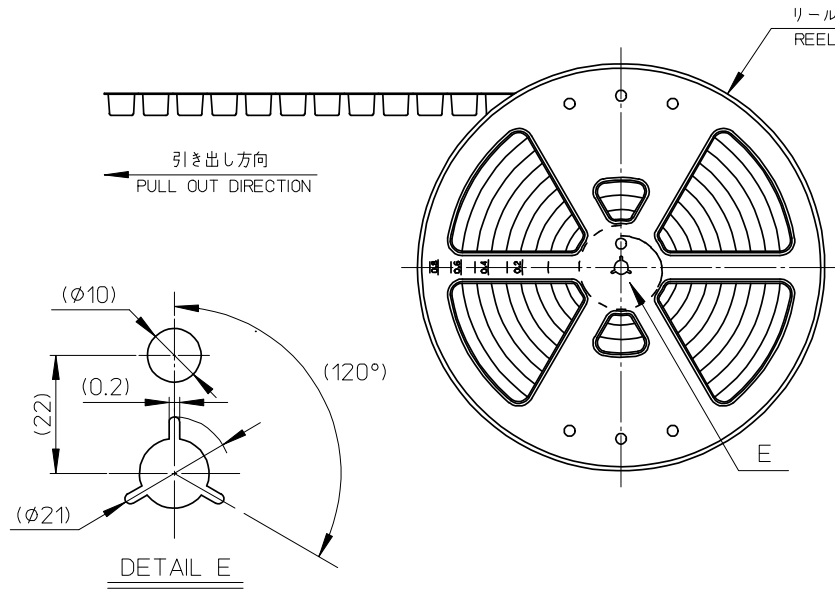
SECTION Y-Y



基板パターンレイアウト (参考)
RECOMMENDED P.C.B. PATTERN LAYOUT (REF.)

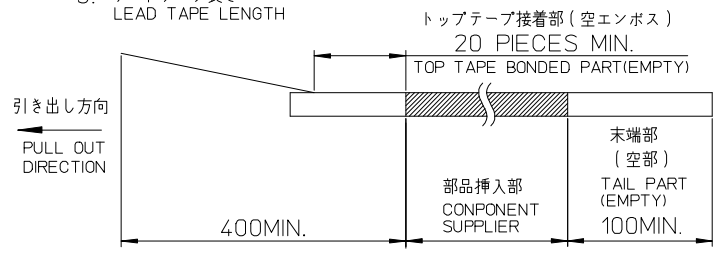


REVISED EC NO: J2008-3785 DRWN:KSETO 2008/04/30 CHKD:KASAKAWA 2008/05/07 APPR: SICHIKAWA 2008/05/07	GENERAL TOLERANCES (UNLESS SPECIFIED)		DIMENSION STYLE MM ONLY		SCALE 5:1	DESIGN UNITS METRIC	THIRD ANGLE PROJECTION
	10 UNDER	±0.2	DRAWN BY T. MIYAZAKI	DATE 2006/08/28	TITLE 1.25 W/B CONN. SINGLE S/T REC. ASS'Y 2-7CKT.		
	10 OVER 30 UNDER	±0.25	CHECKED BY K. ASAKAWA	DATE 2006/08/28	MOLEX INCORPORATED		
	30 OVER	±0.3	APPROVED BY YO. ITO	DATE 2006/08/28	MATERIAL NO.	DOCUMENT NO. SD-502382-001	SHEET NO. 2 OF 2
	ANGULAR	±3 °	SEE TABLE		THIS DRAWING CONTAINS INFORMATION THAT IS PROPRIETARY TO MOLEX INCORPORATED AND SHOULD NOT BE USED WITHOUT WRITTEN PERMISSION		
DRAFT WHERE APPLICABLE MUST REMAIN WITHIN DIMENSIONS							



NOTES

- 製品詳細寸法については、SD-502382-001, -002 を参照下さい。
PLEASE REFER TO SD-502382-001, -002 FOR THE DETAILED DIMENSION OF THE CONNECTOR.
- 梱包数量 : 1400個
NUMBER OF CONNECTIONS : 1400 PIECES/REEL.
- リードテープ長さ
LEAD TAPE LENGTH



- 材料
MATERIAL
キャリアテープ : ポリスチレン
CARRIER TAPE : POLYSTYRENE
トップテープ : ポリエステル, ポリエチレン, ポリエチレンテレフタレート
TOP TAPE : POLYESTER, POLYETHYLENE, POLYETHYLENE TEREPHTHALATE
リール : ポリスチレン <リサイクル材を含む>
REEL : POLYSTYRENE <RECYCLE MATERIAL CONTAINED>
- ELV 及び RoHS 適合品
ELV AND RoHS COMPLIANT

45.5	20.2	44	502382-1508	502382-1572	502382-1509	502382-1570	502382-***7*	15	
45.5	20.2	44	502382-1408	502382-1472	502382-1409	502382-1470		14	
33.5	14.2	32	502382-1308	502382-1372	502382-1309	502382-1370		13	
33.5	14.2	32	502382-1208	502382-1272	502382-1209	502382-1270		12	
33.5	14.2	32	502382-1108	502382-1172	502382-1109	502382-1170		11	
33.5	14.2	32	502382-1008	502382-1072	502382-1009	502382-1070		10	
25.5	11.5	24	502382-0908	502382-0972	502382-0909	502382-0970		9	
25.5	11.5	24	502382-0808	502382-0872	502382-0809	502382-0870		8	
25.5	11.5	24	502382-0708	502382-0772	502382-0709	502382-0770		7	
25.5	11.5	24	502382-0608	502382-0672	502382-0609	502382-0670		6	
25.5	11.5	24	502382-0508	502382-0572	502382-0509	502382-0570		5	
25.5	11.5	24	502382-0408	502382-0472	502382-0409	502382-0470		4	
17.5	7.5	16	502382-0308	502382-0372	502382-0309	502382-0370		3	
17.5	7.5	16	502382-0208	502382-0272	502382-0209	502382-0270		2	
C	B	エンボステープ幅 A WIDTH OF TAPE	コネクタ CONNECTOR	製品番号 MATERIAL NO.	コネクタ CONNECTOR	製品番号 MATERIAL NO.		モデル番号 MODEL NO.	極数 (KT. NO.)
			WITH CAPTON TAPE		WITHOUT CAPTON TAPE				

REVISED EC NO: J2008-3866 DRWN:KSETO 2008/05/12 CHKD:KASAKAWA 2008/05/12 APPR: SICHIKAWA 2008/05/12	GENERAL TOLERANCES (UNLESS SPECIFIED)		DIMENSION STYLE MM ONLY		SCALE ---	DESIGN UNITS METRIC	THIRD ANGLE PROJECTION	
	10 UNDER	±0.2	DRAWN BY T. MIYAZAKI	DATE 2006/10/16	TITLE 1.25 W/B CONN. SINGLE S/T REC. EMBTP PKG			
	10 OVER 30 UNDER	±0.25	CHECKED BY K. ASAKAWA	DATE 2006/10/16	APPROVED BY YO. ITO			
	30 OVER	±0.3	APPROVED BY DATE 2006/10/16		MOLEX INCORPORATED			
	ANGULAR	±3 °	MATERIAL NO. SEE TABLE		DOCUMENT NO. SD-502382-003		SHEET NO. 1 OF 1	
DRAFT WHERE APPLICABLE MUST REMAIN WITHIN DIMENSIONS		THIS DRAWING CONTAINS INFORMATION THAT IS PROPRIETARY TO MOLEX INCORPORATED AND SHOULD NOT BE USED WITHOUT WRITTEN PERMISSION						