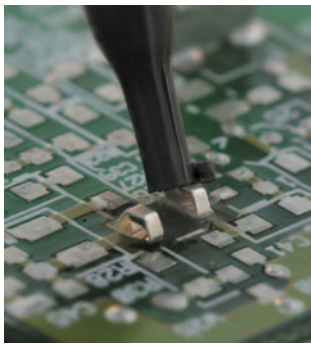


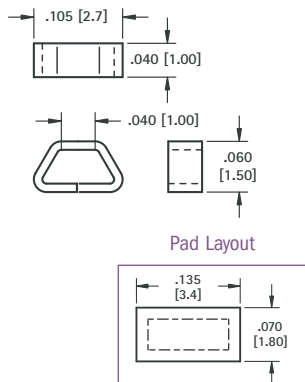
(SMT) SURFACE MOUNT TEST POINTS ON TAPE & REEL



MINIATURE

- Ultra low profile, ideally suited for advanced surface mount printed circuit board applications
- Designed for long life and durability
- Manufactured using flat wire to provide a large mounting surface area
- Ideal for use with miniature probes, clips, and hooks
- Efficient, safe, board level testing

SUPPLIED ON TAPE AND REEL



SPECIFICATIONS

Contact Material:

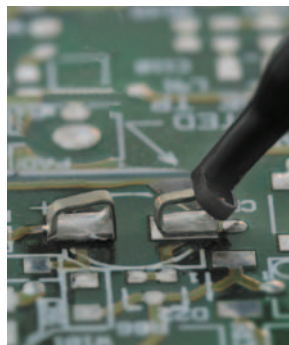
.010 (.25) thick Phosphor Bronze

Contact Finish: Silver Plate

Tape Material: 8mm wide; 4mm pitch; conductive polycarbonate carrier tape meets ANSI/EIA-481 standard

CAT. NO. 5015 - 1000 pieces per reel

CAT. NO. 5017 - 5000 pieces per reel



COMPACT

- Unique design provides exceptional strength and durability
- Simplifies testing on dense SMT circuit boards
- Ideal for use with most standard probes, clips and hooks
- Efficient, safe, board level testing

SUPPLIED ON TAPE AND REEL

SPECIFICATIONS

Contact Material:

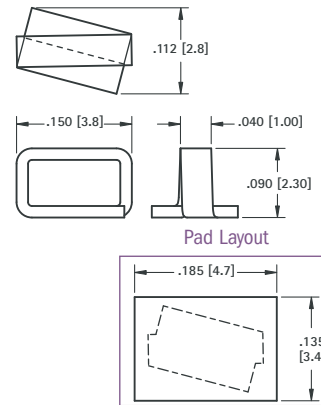
.015 (.38) thick Phosphor Bronze

Contact Finish: Silver Plate

Tape Material: 12mm wide; 4mm pitch; conductive polycarbonate carrier tape meets ANSI/EIA-481 standard

CAT. NO. 5016 - 1000 pieces per reel

CAT. NO. 5018 - 5000 pieces per reel

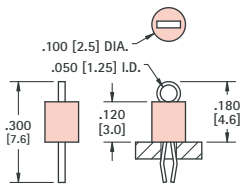


(THM) THRU HOLE MOUNT TEST POINTS - COLOR KEYED

- Color keyed for visibility and quick identification
- Economical choice for PC test point terminations
- Snap-fit mounting provides positive retention for wave soldering
- Wire form loop for safe, non-slip testing
- Space saving, ultra low and low profile designs
- High profile design for difficult to reach applications
- Suitable for high density packaging on .062 (1.57) and .093 (2.36) PC boards
- Practical replacement for wire-wrap posts and turrets
- Secure grip for J hooks, EZ hooks, grabbers, alligator clips, tips or probes
- LCP base ideal for reflow soldering
- Ideal for reliable production testing and field service troubleshooting



MINIATURE



SPECIFICATIONS

Terminal:

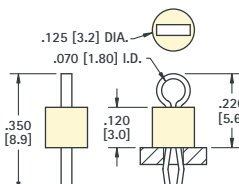
.010 (.25) x .020 (.51) thick Phosphor Bronze Wire, Silver Plate

Base: PBT, UL Rated 94V-0

Mtg. Hole: .040 (1.0) Diameter

CAT. NO.	BASE COLOR	CAT. NO.	BASE COLOR
5000	RED	5115	BROWN
5001	BLACK	5116	GREEN
5002	WHITE	5117	BLUE
5003	ORANGE	5118	GREY
5004	YELLOW	5119	PURPLE

COMPACT



SPECIFICATIONS

Terminal:

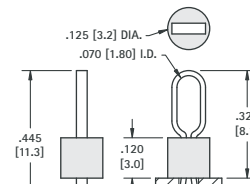
.015 (.38) x .032 (.81) thick Phosphor Bronze Wire, Silver Plate

Base: PBT, UL Rated 94V-0

Mtg. Hole: .063 (1.6) Diameter

CAT. NO.	BASE COLOR	CAT. NO.	BASE COLOR
5005	RED	5120	BROWN
5006	BLACK	5121	GREEN
5007	WHITE	5122	BLUE
5008	ORANGE	5123	GREY
5009	YELLOW	5124	PURPLE

MULTIPURPOSE



SPECIFICATIONS

Terminal:

.015 (.38) x .032 (.81) thick Phosphor Bronze Wire, Silver Plate

Base: PBT, UL Rated 94V-0

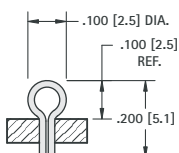
Mtg. Hole: .063 (1.6) Diameter

CAT. NO.	BASE COLOR	CAT. NO.	BASE COLOR
5010	RED	5125	BROWN
5011	BLACK	5126	GREEN
5012	WHITE	5127	BLUE
5013	ORANGE	5128	GREY
5014	YELLOW	5129	PURPLE

ULTRA LOW PROFILE

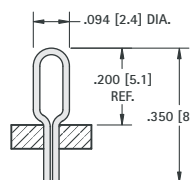
WITHOUT BASE

SHOWN AS INSTALLED INTO .040 [1.02] DIA. MOUNTING HOLE



CAT. NO.	BASE COLOR
5021	NONE

MATERIAL: .017 (.43) Diameter Phosphor Bronze, Silver Plate
Mtg. Hole: .040 (1.0) Diameter



SHOWN AS INSTALLED INTO .040 [1.02] DIA. MOUNTING HOLE

CAT. NO.	BASE COLOR
5020	NONE