

5-1814832-1 Product Details

[Share](#) [Print](#) [Email](#)



5-1814832-1

TE Internal Number: 5-1814832-1
✔ Active

[View 3D PDF](#)

SMA/QMA RF Connectors

✔ Always EU RoHS/ELV Compliant (Statement of Compliance)

Product Highlights:

- Applies To Printed Circuit Board
- Connector - RF
- RF Connector Type = SMA
- Jack
- Without Snap-Lock

[View all Features](#)

Quick Links

- ▶ [Pricing & Availability](#)
- ▶ [Search for Tooling](#)
- ▶ [Product Feature Selector](#)
- ▶ [Contact Us About This Product](#)

[Add to My Part List](#) [Request Sample](#) [Find Similar Products](#) [Buy Product](#)

Documentation & Additional Information

Product Drawings:

- [SMA STRAIGHT PCB SOCKET DIE CAST](#) (PDF, English)

Catalog Pages/Data Sheets:

- None Available

Product Specifications:

- None Available

Application Specifications:

- None Available

Instruction Sheets:

- None Available

CAD Files: [\(CAD Format & Compression Information\)](#)

- [2D Drawing](#) (DXF, Version B)
- [3D Model](#) (IGES, Version B)
- [3D Model](#) (STEP, Version B)

[List all Documents](#)

Related Products:

- [Tooling](#)

Product Features (Please use the Product Drawing for all design activity)

Product Type Features:

- [Product Type](#) = Connector - RF
- RF Connector Type = SMA
- [Gender](#) = Jack
- [PCB Mounting Orientation](#) = Vertical
- Grade = Commercial
- Dielectric Material = PTFE

Mechanical Attachment:

- [Panel Mount Retention](#) = Without

Electrical Characteristics:

- Impedance (Ω) = 50
- Frequency = DC - 3 GHz

Dimensions:

- [Length \(mm \[in\]\)](#) = 13.50 [0.532]

Body Features:

- [Body Style](#) = Straight
- [Body Material](#) = Zinc Alloy
- [Body Finish](#) = Gold

Contact Features:

- [Center Contact](#) = With
- Center Contact Material = Phosphor Bronze
- Center Contact Plating = Gold

Configuration Features:

- [Snap-Lock](#) = Without

Industry Standards:

- Government/Industry Qualification = No
- [RoHS/ELV Compliance](#) = RoHS compliant, ELV compliant
- [Lead Free Solder Processes](#) = Wave solder capable to 240°C, Wave solder capable to 260°C, Wave solder capable to 265°C
- [RoHS/ELV Compliance History](#) = Always was RoHS compliant

Conditions for Usage:

- [Applies To](#) = Printed Circuit Board

Packaging Features:

- [Packaging Quantity](#) = 1

Other:

- [Brand](#) = TE Connectivity

Corporate Information

- [About TE](#)
- [Investors](#)
- [News Room](#)
- [Supplier Portal](#)

Quick Links

- [Distributor Inventory](#)
- [Product Cross Reference](#)
- [Documents & Drawings](#)
- [Product Compliance Support Center](#)

Customer Support

- [Email or Chat With Us](#)
- [Find a Phone Number](#)
- [Knowledge Base](#)
- [Manage Your Account](#)

THIS DRAWING IS UNPUBLISHED.

RELEASED FOR PUBLICATION JULY, 2006.

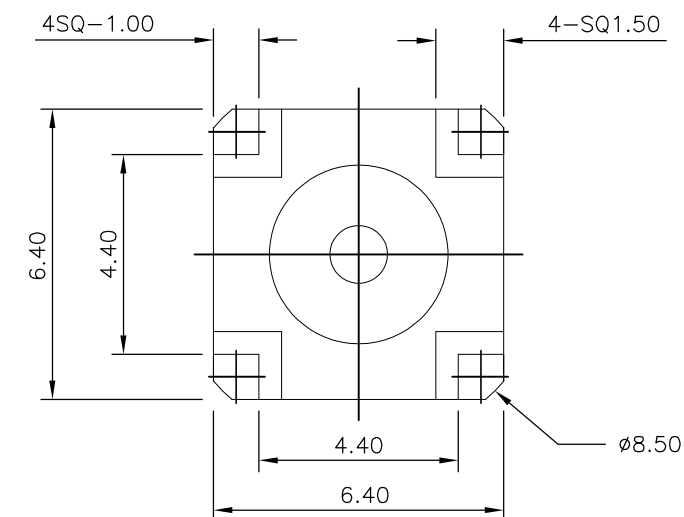
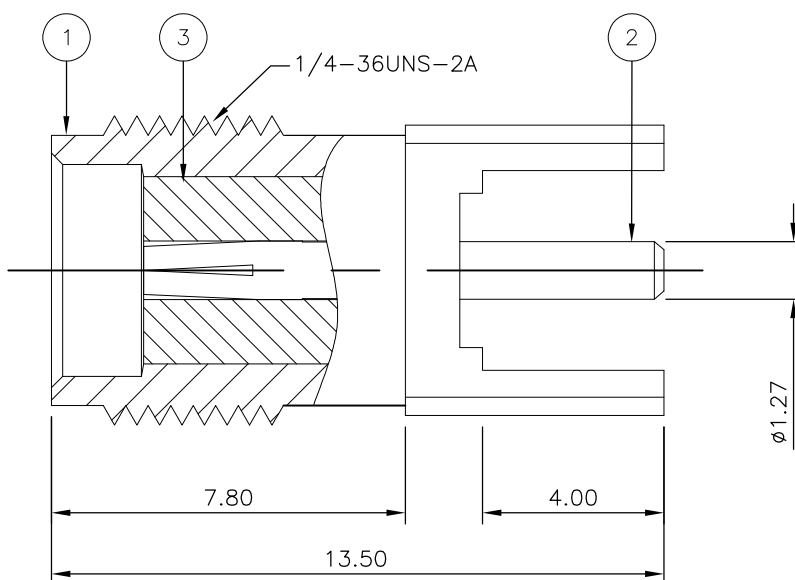
© COPYRIGHT 2006 By -

ALL RIGHTS RESERVED.

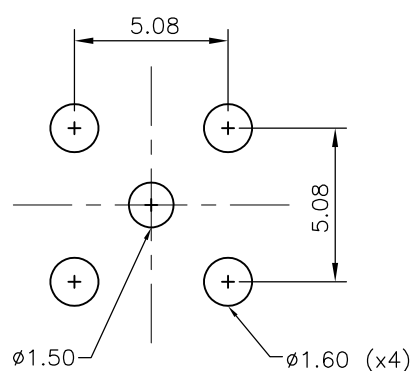
LOC	DIST	REVISIONS			
P	LTR	DESCRIPTION	DATE	DWN	APVD
E	B	B1	REVISED PER ECO-11-005033	31MAR11	RK HMR

NOTES

- 1 SINGLE PACK IN ACCORDANCE WITH AMP SPEC 107-3275
- 2 100 TRAY PACK IN ACCORDANCE WITH AMP SPEC 107-3275
- 3 Au PLATING



RECOMMENDED PCB LAYOUT WITH MOUNTING POSTS



QTY	PLC	DESCRIPTION	MATERIAL	DESCRIPTION	ITEM
1	1	PTFE		INSULATOR	3
1	1	PHOSPHOR BRONZE	3	SOCKET	2
1	1	ZINC ALLOY	3	BODY	1
5	15				

THIS DRAWING IS A CONTROLLED DOCUMENT.		DWN ANSON MA 19FEB09	STE TE Connectivity		
DIMENSIONS: mm		CHK RITA ZUO 19FEB09			
TOLERANCES UNLESS OTHERWISE SPECIFIED:		APVD BOB ZHAO 19FEB09	NAME SMA STRAIGHT PCB SOCKET DIE CAST		
0 PLC ± -		PRODUCT SPEC 108-112000	SIZE CAGE CODE DRAWING NO RESTRICTED TO		
1 PLC ± -		APPLICATION SPEC	A3 00779 C-1814832		
2 PLC ± 0.2		MATERIAL SEE TABLE	SCALE NTS SHEET 1 OF 1 REV B1		
3 PLC ± -		FINISH -	CUSTOMER DRAWING		
4 PLC ± -					
ANGLES ± -					