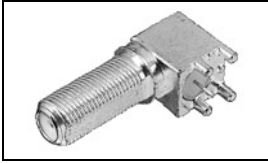


5-1634552-1 Product Details

[Share](#) [Print](#) [Email](#)



5-1634552-1

TE Internal Number: 5-1634552-1

 Active

F Series and G Series RF Connectors

 Always EU RoHS/ELV Compliant (Statement of Compliance)

Product Highlights:

- Connector - RF
- RF Connector Type = F Series
- Type of Connector = F Series
- Jack
- Mount = Printed Circuit Board

[View all Features](#)

Quick Links

- ▶ [Pricing & Availability](#)
- ▶ [Search for Tooling](#)
- ▶ [Product Feature Selector](#)
- ▶ [Contact Us About This Product](#)

[Add to My Part List](#) [Request Sample](#) [Find Similar Products](#) [Buy Product](#)

Documentation & Additional Information

Product Drawings:

- [F SERIES CONNECTOR ELBOW JACK PCB EXTENDED](#) (PDF, English)

Catalog Pages/Data Sheets:

- None Available

Product Specifications:

- None Available

Application Specifications:

- None Available

Instruction Sheets:

- None Available

CAD Files:

- None Available

Related Products:

- [Tooling](#)

[List all Documents](#)

Product Features (Please use the Product Drawing for all design activity)

Product Type Features:

- Product Type = Connector - RF
- RF Connector Type = F Series
- Type of Connector = F Series
- Gender = Jack
- PCB Mount Style = Surface Mount
- PCB Mounting Orientation = Right Angle
- Dielectric Material = TPX
- Sealed = No

Mechanical Attachment:

- Mount = Printed Circuit Board

Body Features:

- Body Material = Zinc Alloy
- Body Plating = Nickel over Copper

Contact Features:

- Center Contact Material = Phosphor Bronze
- Center Contact Plating = Tin over Copper

Industry Standards:

- [RoHS/ELV Compliance](#) = RoHS compliant, ELV compliant
- [Lead Free Solder Processes](#) = Wave solder capable to 260°C, Wave solder capable to 240°C, Wave solder capable to 265°C
- [RoHS/ELV Compliance History](#) = Always was RoHS compliant

Conditions for Usage:

- Applies To = Printed Circuit Board

Packaging Features:

- Packaging Quantity = 1

Other:

- Brand = TE Connectivity
- Comment = Extended

Corporate Information

[About TE](#)
[Investors](#)
[News Room](#)
[Supplier Portal](#)
[Careers](#)
[Terms & Conditions](#)
[Privacy Policy](#)

Quick Links

[Distributor Inventory](#)
[Product Cross Reference](#)
[Documents & Drawings](#)
[Product Compliance Support Center](#)
[Site Map](#)

Customer Support

[Email or Chat With Us](#)
[Find a Phone Number](#)
[Knowledge Base](#)
[Manage Your Account](#)

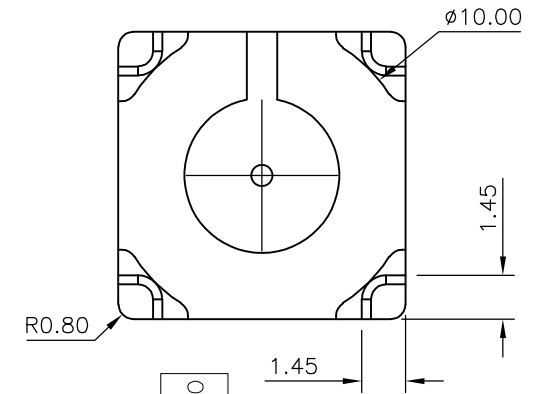
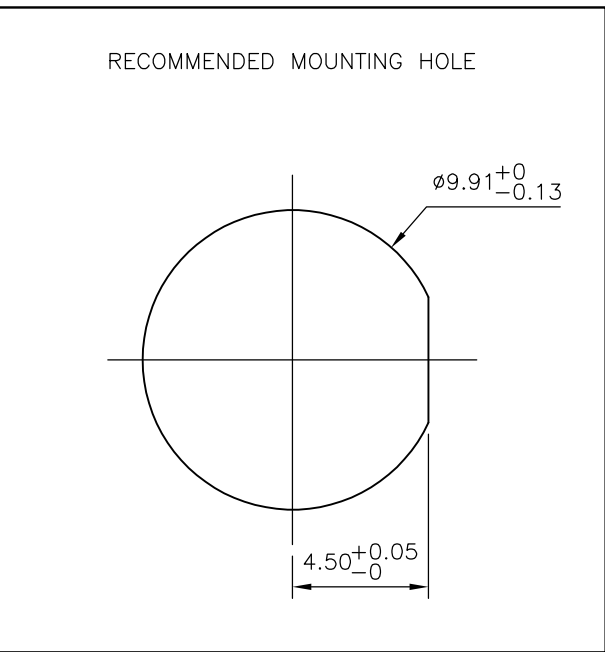
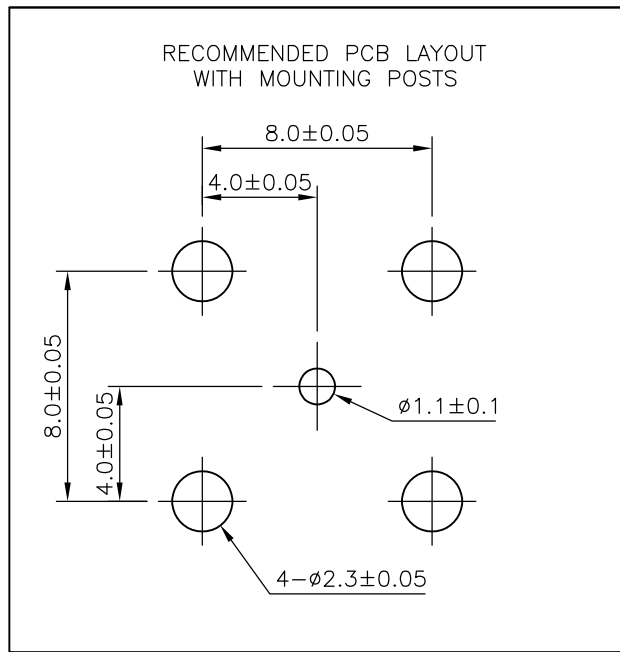
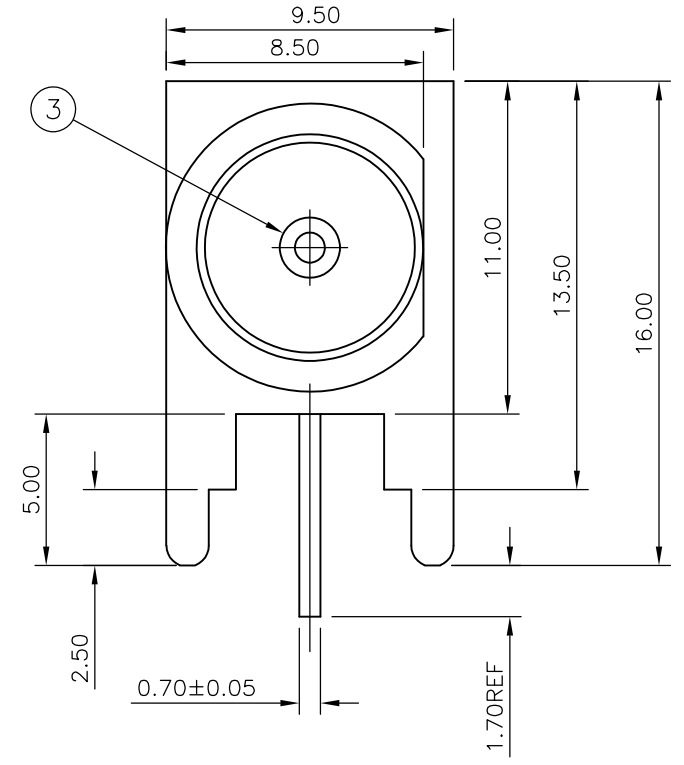
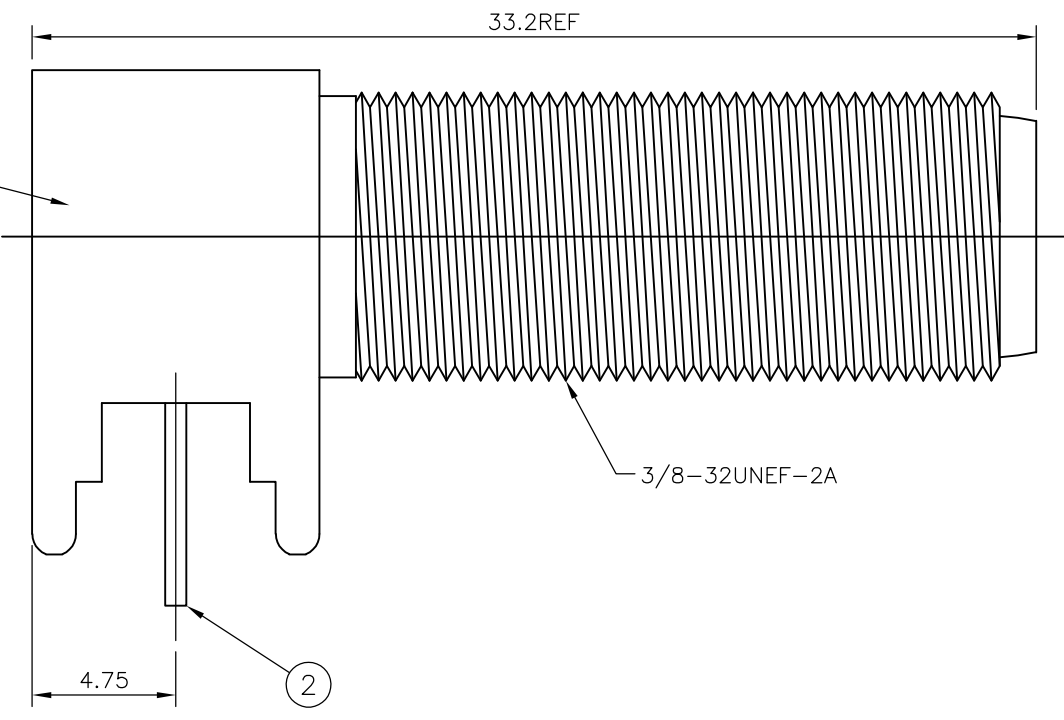
Keep Me Informed

THIS DRAWING IS UNPUBLISHED. RELEASED FOR PUBLICATION SEP, 2004.
 © COPYRIGHT 2004 By - ALL RIGHTS RESERVED.

LOC	DIST	REVISIONS			
P	LTR	DESCRIPTION	DATE	DWN	APVD
E	B	D1	REVISED PER ECO-11-005033	01APR11	RK HMR
E	B	E	REVISED PER ECO-11-021675	02NOV11	TITAN MARTIN

NOTES

- ① 100 TRAY PACK IN ACCORDANCE WITH AMP SPEC 107-3275
- ② SINGLE PACK IN ACCORDANCE WITH AMP SPEC 107-3275
- ③ 1.27um TIN PLATING OVER 0.76um Cu PLATING
- ④ 1.27um Ni PLATING OVER 0.76um Cu PLATING
- 5. FOR TECHNICAL DATA REFER TO YOUR LOCAL TE CONNECTIVITY SALES OFFICE
- 6. ALL DIMENSIONS ARE NOMINAL FOR REFERENCE ONLY UNLESS OTHERWISE STATED



QTY	QTY PER ASSY	PARTS LIST
1	1	TPX INSULATOR 3
1	1	PHOS BRONZE CONTACT 2
1	1	ZINC ALLOY BODY 1
5--1	5--0	MATERIAL DESCRIPTION ITEM
②	①	

THIS DRAWING IS A CONTROLLED DOCUMENT.

DWN ANSON MA 14FEB09	TE Connectivity
CHK RITA ZUO 14FEB09	
APVD BOB ZHAO 14FEB09	
PRODUCT SPEC 108-112000	
APPLICATION SPEC	NAME F SERIES CONNECTOR ELBOW JACK PCB EXTENDED
MATERIAL SEE TABLE	FINISH SEE TABLE
WEIGHT -	SIZE A3 CAGE CODE 00779 DRAWING NO C-1634552 RESTRICTED TO -
CUSTOMER DRAWING	SCALE NTS SHEET 1 OF 1 REV E