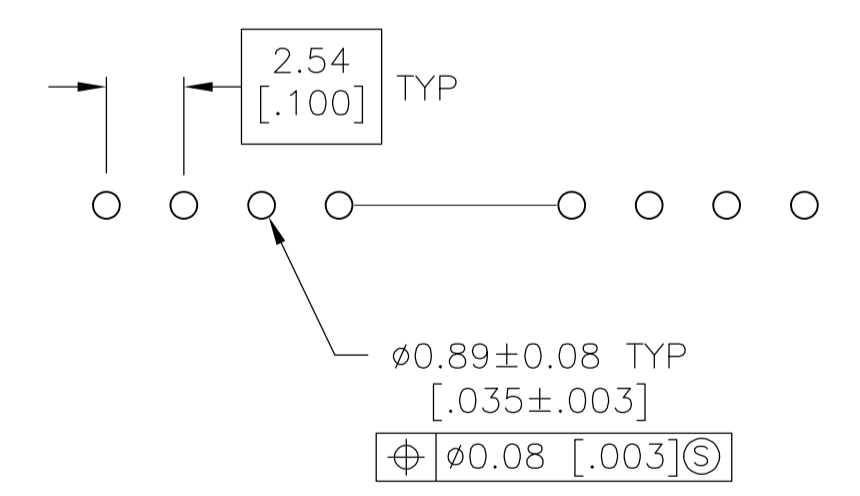
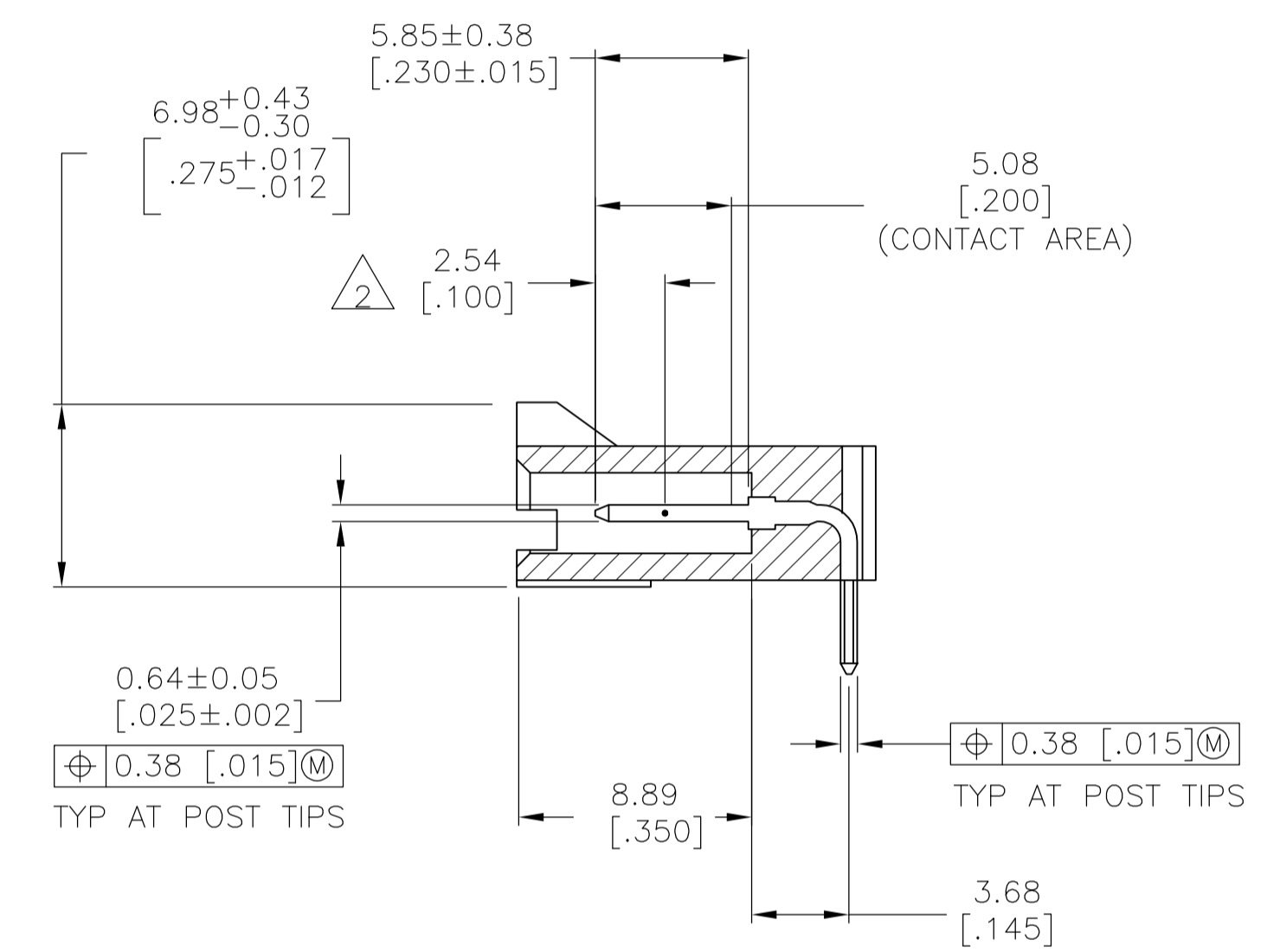
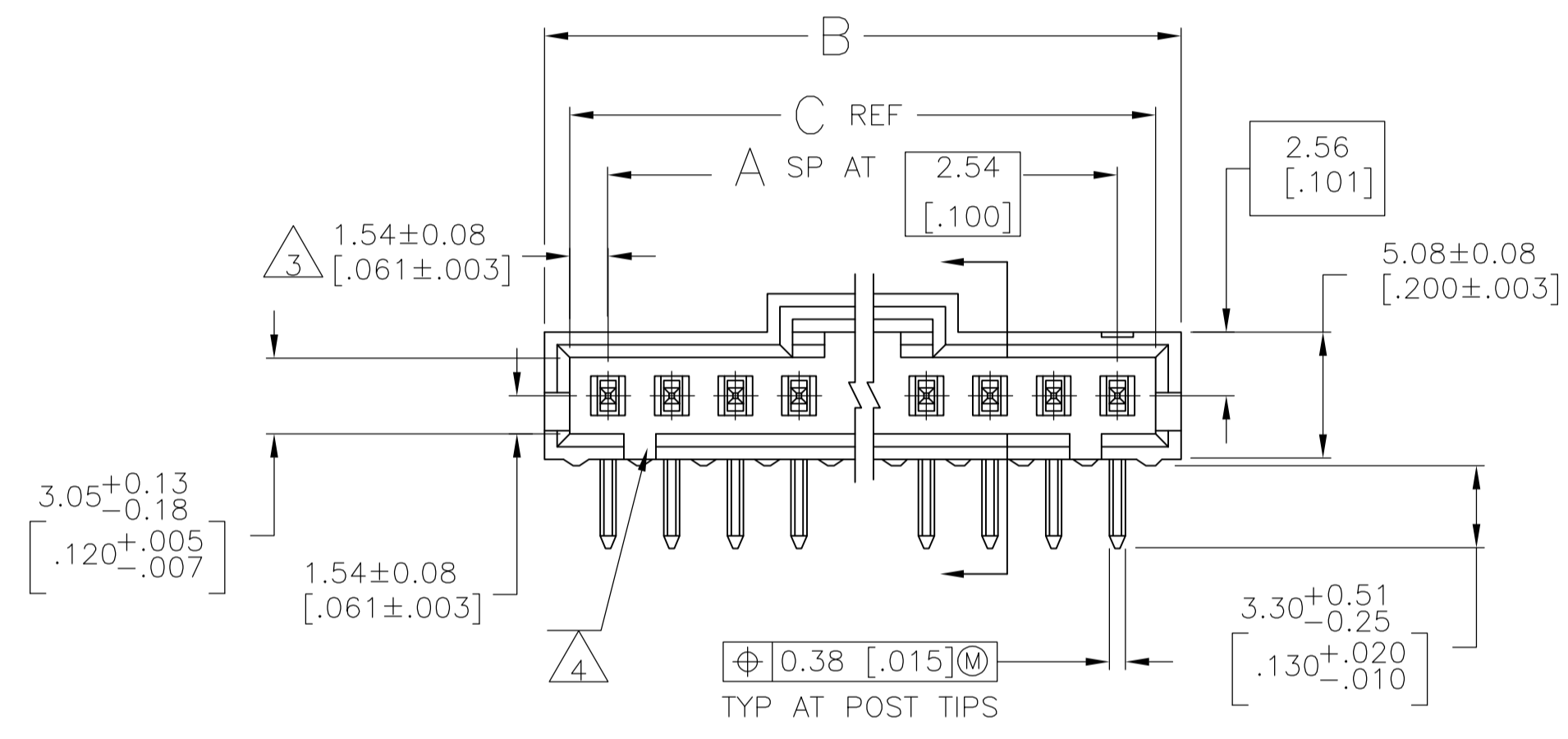
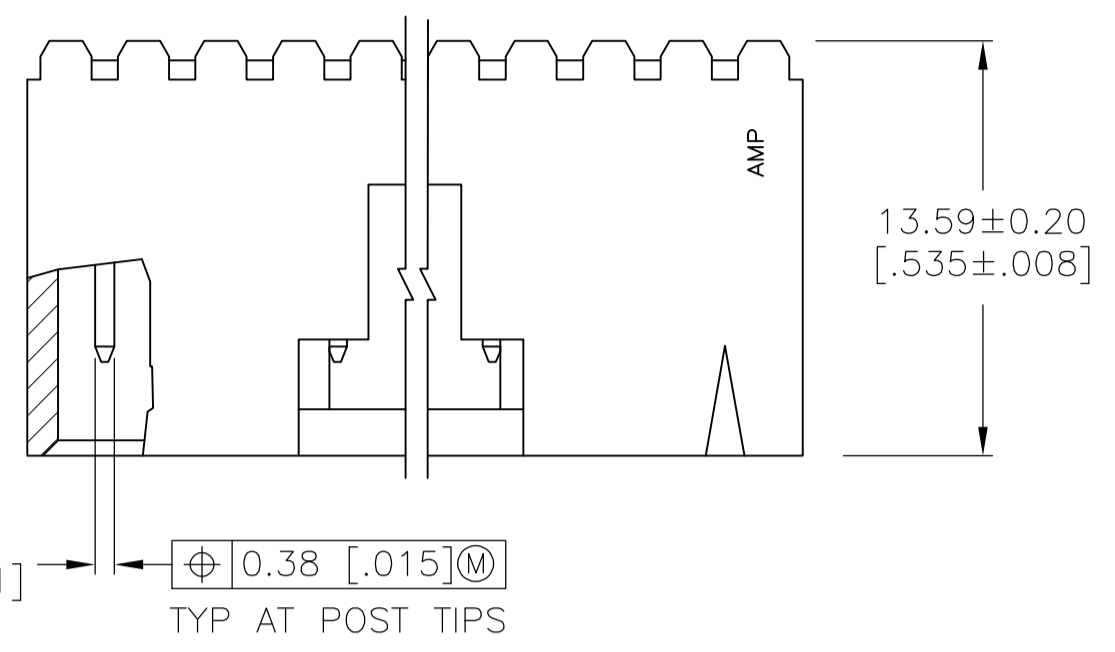


LOC	DIST	REVISIONS			
AD	00	REV	DESCRIPTION	DATE	BY
S		EC	063C 0012 05	16MAR05	BSV JLG
S1		REVISED PER ECO-09-021826		25AUG09	KK AEG



RECOMMENDED HOLE LAYOUT

- 1 .00038 [.000015] GOLD IN THE CONTACT AREA, .00254 [.000100] MATTE TIN-LEAD ON THE REMAINDER OF CONTACT, ALL OVER .00127 [.000050] NICKEL.
- 2 POINT OF MEASUREMENT FOR PLATING THICKNESS.
- 3 THE NOTED DIMENSIONS APPLY AT THE INTERSECTION OF THE POST AND THE HOUSING.
- 4 ON ASSEMBLIES WITH FOUR OR MORE POSITIONS, TWO POLARIZATION SLOTS. ON ASSEMBLIES WITH TWO OR THREE POSITIONS, ONE POLARIZATION SLOT.
- 5 .00038 [.000015] GOLD IN THE CONTACT AREA, .00254 [.000100] MATTE TIN ON THE REMAINDER OF CONTACT, ALL OVER .00127 [.000050] NICKEL.
- 6 HIGH TEMPERATURE CONFIGURATION
- 7 OBSOLETE PARTS: OBSOLETE CIS STREAMLINING PER D.RENAUD/D.SINISI

REV	DESCRIPTION	DATE	BY	APPV	PART NO.	
1		64.01 [2.520]	66.04 [2.600]	24	25	2-103635-4
1		61.47 [2.420]	63.50 [2.500]	23	24	2-103635-3
1		58.93 [2.320]	60.96 [2.400]	22	23	2-103635-2
1		56.39 [2.220]	58.42 [2.300]	21	22	2-103635-1
1		53.85 [2.120]	55.88 [2.200]	20	21	2-103635-0
1		51.31 [2.020]	53.34 [2.100]	19	20	1-103635-9
1		48.77 [1.920]	50.80 [2.000]	18	19	1-103635-8
1		46.23 [1.820]	48.26 [1.900]	17	18	1-103635-7
1		43.69 [1.720]	45.72 [1.800]	16	17	1-103635-6
1		41.15 [1.620]	43.18 [1.700]	15	16	1-103635-5
1		38.61 [1.520]	40.64 [1.600]	14	15	1-103635-4
1		36.07 [1.420]	38.10 [1.500]	13	14	1-103635-3
1		33.53 [1.320]	35.56 [1.400]	12	13	1-103635-2
1		30.99 [1.220]	33.02 [1.300]	11	12	1-103635-1
1		28.45 [1.120]	30.48 [1.200]	10	11	1-103635-0
1		25.91 [1.020]	27.94 [1.100]	9	10	103635-9
1		23.37 [0.920]	25.40 [1.000]	8	9	103635-8
1		20.83 [0.820]	22.86 [0.900]	7	8	103635-7
1		18.29 [0.720]	20.32 [0.800]	6	7	103635-6
1		15.75 [0.620]	17.78 [0.700]	5	6	103635-5
1		13.21 [0.520]	15.24 [0.600]	4	5	103635-4
1		10.67 [0.420]	12.70 [0.500]	3	4	103635-3
1		8.13 [0.320]	10.16 [0.400]	2	3	103635-2
1		5.59 [0.220]	7.62 [0.300]	1	2	103635-1
PLATING	C	B	A	NO. OF POSN	PART NO.	

THIS DRAWING IS A CONTROLLED DOCUMENT.

DIN S. SHUEY 5-3-91
 CHK L. CASTAGNA 27-3-91
 APVD L. CASTAGNA 27-3-91

TYCO Electronics Tyco Electronics Corporation
 Harrisburg, Pa 17105-3608

PRODUCT SPEC: HDR ASSY, RTANG, SINGLE ROW
 2.54[.100] C/L, 0.64[.025] SQ POST,
 WITH PLZN & LATCHING, AMPMODU MTE

APPLICATION SPEC: 108-25034
 SIZE: 114-25026
 WEIGHT: -
 CUSTOMER DRAWING

MATERIAL: HOUSING: PEEK RESISTANT
 PLATING: GOLD
 CONTACTS: BRASS

FINISH: SEE TABLE

SCALE: 4:1 SHEET 1 OF 2 REV S1

LOC		DIST		REVISIONS			
P	LTR	DESCRIPTION	DATE	DNW	APVD		
-	-	SEE SHEET 1	-	-	-	-	-

		△6	△5	64.01 [2.520]	66.04 [2.600]	24	25	7-103635-4
		△6	△5	61.47 [2.420]	63.50 [2.500]	23	24	7-103635-3
△7	OBSOLETE	△6	△5	58.93 [2.320]	60.96 [2.400]	22	23	7-103635-2
		△6	△5	56.39 [2.220]	58.42 [2.300]	21	22	7-103635-1
△7	OBSOLETE	△6	△5	53.85 [2.120]	55.88 [2.200]	20	21	7-103635-0
		△6	△5	51.31 [2.020]	53.34 [2.100]	19	20	6-103635-9
△7	OBSOLETE	△6	△5	48.77 [1.920]	50.80 [2.000]	18	19	6-103635-8
		△6	△5	46.23 [1.820]	48.26 [1.900]	17	18	6-103635-7
		△6	△5	43.69 [1.720]	45.72 [1.800]	16	17	6-103635-6
		△6	△5	41.15 [1.620]	43.18 [1.700]	15	16	6-103635-5
		△6	△5	38.61 [1.520]	40.64 [1.600]	14	15	6-103635-4
		△6	△5	36.07 [1.420]	38.10 [1.500]	13	14	6-103635-3
		△6	△5	33.53 [1.320]	35.56 [1.400]	12	13	6-103635-2
		△6	△5	30.99 [1.220]	33.02 [1.300]	11	12	6-103635-1
		△6	△5	28.45 [1.120]	30.48 [1.200]	10	11	6-103635-0
		△6	△5	25.91 [1.020]	27.94 [1.100]	9	10	5-103635-9
		△6	△5	23.37 [.920]	25.40 [1.000]	8	9	5-103635-8
		△6	△5	20.83 [.820]	22.86 [.900]	7	8	5-103635-7
		△6	△5	18.29 [.720]	20.32 [.800]	6	7	5-103635-6
		△6	△5	15.75 [.620]	17.78 [.700]	5	6	5-103635-5
		△6	△5	13.21 [.520]	15.24 [.600]	4	5	5-103635-4
		△6	△5	10.67 [.420]	12.70 [.500]	3	4	5-103635-3
		△6	△5	8.13 [.320]	10.16 [.400]	2	3	5-103635-2
		△6	△5	5.59 [.220]	7.62 [.300]	1	2	5-103635-1
	REMARKS		PLATING	C	B	A	NO. OF POSN	PART NO.

THIS DRAWING IS A CONTROLLED DOCUMENT.		DW S. SHUEY 5-3-91	Tyco Electronics Corporation Harrisburg, Pa 17105-3608
TOLERANCES UNLESS OTHERWISE SPECIFIED:		CHK L. CASTAGNA 27-3-91	
DIMENSIONS: mm [INCHES]	0. PLC ± - 1. PLC ± - 2. PLC ± - 3. PLC ± - 4. PLC ± - ANGLES ± -	APVD L. CASTAGNA 27-3-91	NAME HDR ASSY, RTANG, SINGLE ROW
	SEE TABLE	PRODUCT SPEC 108-25034	2.54[.100] C/L, 0.64[.025] SQ POST, WITH PLZN & LATCHING, AMPMODU MTE
	MATERIAL: HOURS: PLATING: DIMENSIONS: COLOR: MARK: CONTACTS: BRASS	FINISH: SEE TABLE	APPLICATION SPEC 114-25026
CUSTOMER DRAWING		WEIGHT: -	SIZE: A1
		SCALE: 1:1	SHEET 2 OF 2
		REV: -	REV: S1