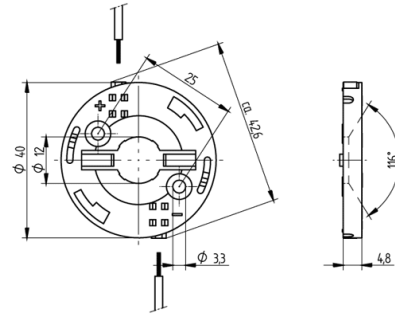




Technology for Light

COB connector Ø 40 mm for LED array 13.5 x 13.5 mm 47.319.6060.50



0,5 mm²



0,5 mm²



COB connector Ø 40 mm for LED array 13.5 x 13.5 mm 47.319.6060.50

Technology for Light

DESCRIPTION

With integrated reflector interface
Screw mounting: for screws M3 and locking washer
Max. torque for screw fixing 0.5 Nm*
Strip length: 7-1 mm
Polarity of LED must be observed
Specifications of LED manufacturer must be observed
cURus: For limited applications
VDE-Reg. No. E289
*Please note the max torque of the COB manufacturer

Mounting method 1:	Screw mount
LED Typ:	DMC 122, 6W L-COB G2, COB-B series, G16, CL-U700 / CL-U701, CL-L020/022/150, PACB 022, LES 9.8 (13.5 x 13.5 x 0.9 mm), CHM-6, V10 - Gen. 7, ZC6, LC003D / 6D / 9D / 13D, M082, Xuan1313, Opto 9W, CL-U02x, CLU700-1002B8, CLU701, CIM-9 / CXM-9 / CLM-9
LED manufacturer:	LG Innotek, Xicato, Vossloh-Schwabe, Citizen, Everlight, Bridgelux, Edison, Sunpu, Itswell, Liteon, Luminus, Prolight Opto, Samsung, Seoul Semiconductor
Prefixation of COB:	Yes
Conductor cross-section:	0.5 mm
Weight:	3
Approval:	cURus
Material:	Housing: PBT Contacts: CuSn
cULus file no.:	E-345385
Rating:	Rating: 3A / 150 VDC
Mounting method 2:	P2F fixing with 28.902.-102
Pkg.:	504
Product name:	COB connector Ø 40 mm for LED array 13.5 x 13.5 mm

Suitable for the following LED models:

LED Manufacturer	LED Type	More Information
Prolight Opto	PACB 022	http://www.prolightopto.com
Vossloh-Schwabe	DMC 122	http://www.vossloh-schwabe.com
Citizen	CL-U02x, CLU700-1002B8, CLU701	http://ce.citizen.co.jp
Everlight	Xuan1313	http://www.everlight.com
Itswell	COB-B series	http://www.itswell.com
Samsung	LC003D / 6D / 9D / 13D	http://www.samsung.com
Citizen	CL-L020/022/150	http://ce.citizen.co.jp
Edison	Opto 9W	http://www.edison-opto.com.tw
Citizen	CL-U700 / CL-U701	http://ce.citizen.co.jp
Seoul Semiconductor	ZC6	http://www.seoulsemicon.com
Sunpu	G16	http://www.sunpuled.com
Luminus	CIM-9 / CXM-9 / CLM-9	http://www.luminus.com



Technology for Light

COB connector Ø 40 mm for LED array 13.5 x 13.5 mm 47.319.6060.50

Liteon	M082	http://optoelectronics.liteon.com
Bridgelux	V10 - Gen. 7	http://www.bridgelux.com
Luminus	CHM-6	http://www.luminus.com
LG Innotek	6W L-COB G2	http://ledlighting.lginnotek.com
Xicato	LES 9.8 (13.5 x 13.5 x 0.9 mm)	https://www.xicato.com/