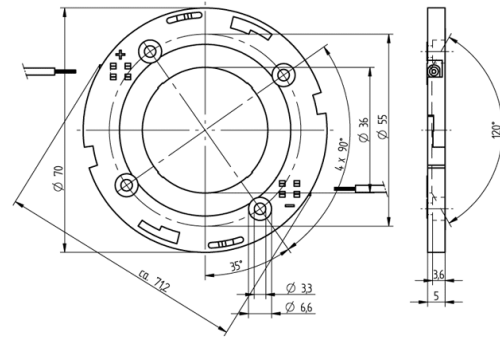




Technology for Light

COB connector Ø 50 mm for LED array 38 x 38 mm 47.319.4160.50



0,25 - 0,5 mm²



0,5 mm²



COB connector Ø 50 mm for LED array 38 x 38 mm 47.319.4160.50

Technology for Light

DESCRIPTION

With integrated reflector interface
Screw mounting: for screws M3 and locking washer
Max. torque for screw fixing 0.5 Nm*
Strip length: 7-1 mm
Polarity of LED must be observed
Specifications of LED manufacturer must be observed
cURus: For limited applications
VDE-Reg. No. E289
*Please note the max torque of the COB manufacturer

Mounting method 1:	Screw mount
LED manufacturer:	LUMILEDS, Seoul Semiconductor, Luminus, Itswell, Citizen
Conductor cross-section:	0.5 mm
Prefixation of COB:	Yes
LED Typ:	CXM-32 / CVM-32, SAW x33EAA, COB 1825, COB 1321, CL-U056, COB-W series
Weight:	7
Pkg.:	240
Rating:	3A / 150 VDC
Mounting method 2:	P2F fixing with 28.902.-102
cULus file no.:	E-345385
Material:	Housing: PBT Contacts: CuSn
Approval:	cURus
Product name:	COB connector Ø 50 mm for LED array 38 x 38 mm

Suitable for the following LED models:

LED Manufacturer	LED Type	More Information
Itswell	COB-W series	http://www.itswell.com
Citizen	CL-U056	http://ce.citizen.co.jp
LUMILEDS	COB 1321	http://www.philipslumileds.com
LUMILEDS	COB 1825	http://www.philipslumileds.com
Seoul Semiconductor	SAW x33EAA	http://www.seoulsemicon.com
Luminus	CXM-32 / CVM-32	http://www.luminus.com