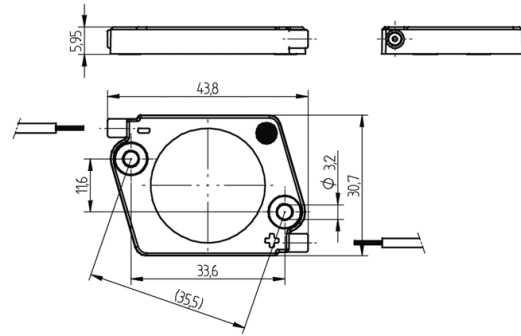
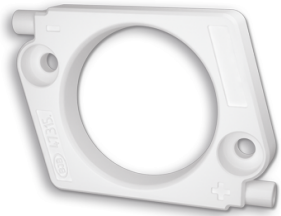




Technology for Light

Connector for COBs

47.315.4005.50



T 110



0,25 - 0,5 mm²



0,5 mm²



Connector for COBs

47.315.4005.50

Technology for Light

DESCRIPTION

Screw mounting: for screws M3 and locking washer
Max. torque for screw fixing 0.5 Nm*
Strip length: 6+1 mm
Polarity of LED must be observed
Specifications of LED manufacturer must be observed
VDE-Reg. No. D971
*Please note the max torque of the COB manufacturer

Mounting method 1:	Screw mount
Weight:	3
Approval:	cURus
Material:	Housing: PBT Contacts: CuSn
cULus file no.:	E-345385
Product name:	Connector for COBs
Rating:	Rating: 3A / 150 VDC
Pkg.:	224
LED manufacturer:	Citizen
LED Typ:	CL-L040/042
Conductor cross-section:	0.5 mm ²
Prefixation of COB:	No

Suitable for the following LED models:

LED Manufacturer	LED Type	More Information
Citizen	CL-L040/042	http://ce.citizen.co.jp
