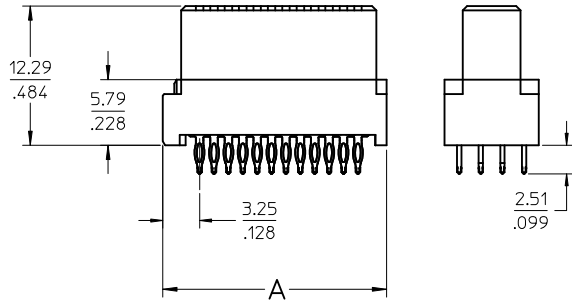
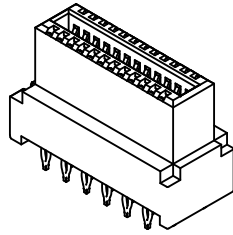
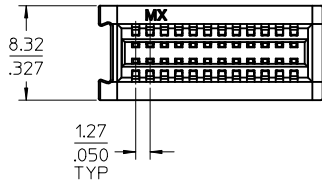


P/N 46113-0241 SHOWN

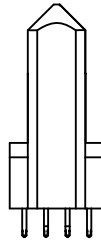
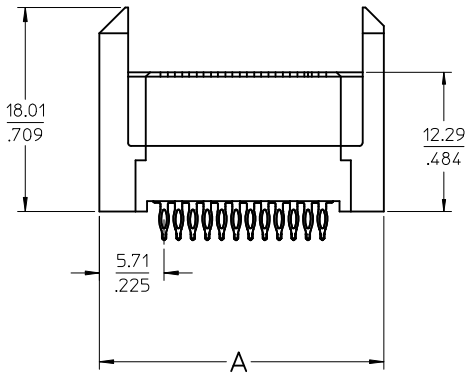
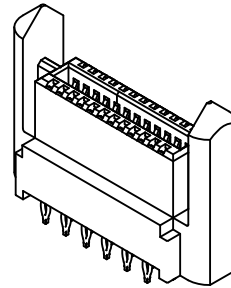


- NOTES:
 1. MATERIAL: HOUSING: LCP, 94-V0, COLOR: BLACK.
 POWER CONTACTS: COPPER ALLOY.
 SIGNAL CONTACTS: MODIFIED TIN BRASS.
 2. FINISH: SELECT GOLD - 0.75 μ M/30 μ INCHES
 SELECTED TIN - 1.91 μ M/75 μ INCHES
 OR SELECTED TIN-LEAD - 1.91 μ M/75 μ INCHES
 BOTH OVER NICKEL - 1.25 μ M/50 μ INCHES
 3. PARTS ARE RoHS COMPLIANT.
 4. MATES TO MOLEX P/N 45985-SERIES OR
 EDGE CARD 1.577.062.
 5. PRODUCT SPECIFICATION PS-46114-001.
 6. PACKAGING: PER PK-46114-003.

POWER HOUSING ASSY W/ INTERLOCK

NO OF CKT	MATERIAL NUMBER	COMPLIANT PIN PLATING	DIM A	DIM B SEE SHT 3	DIM C SEE SHT 3
12	46113-0121	TIN	12.13/.478	12.65/.498	3.51/.138
	46113-0125	TIN-LEAD			
16	46113-0161	TIN	14.67/.578	15.19/.598	
	46113-0165	TIN-LEAD			
20	46113-0201	TIN	17.21/.678	17.73/.698	
	46113-0205	TIN-LEAD			
24	46113-0241	TIN	19.75/.778	20.27/.798	
	46113-0245	TIN-LEAD			
28	46113-0281	TIN	22.29/.878	22.81/.898	
	46113-0285	TIN-LEAD			
32	46113-0321	TIN	24.83/.978	25.35/.998	
	46113-0325	TIN-LEAD			
36	46113-0361	TIN	27.37/1.078	27.89/1.098	
	46113-0365	TIN-LEAD			
40	46113-0401	TIN	29.91/1.178	30.43/1.198	
	46113-0405	TIN-LEAD			

P/N 46113-0243 SHOWN

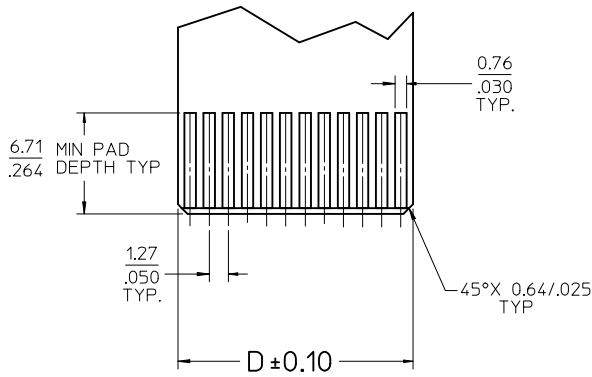
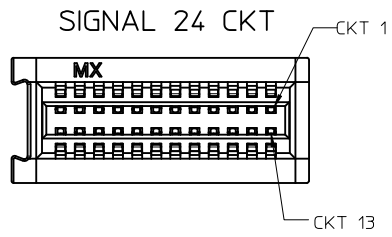


POWER HOUSING ASSY WITH (2) GUIDES

NO OF CKT	MATERIAL NUMBER	COMPLIANT PIN PLATING	DIM A	DIM B SEE SHT 3	DIM C SEE SHT 3
12	46113-0123	TIN	17.49/.689	18.01/.709	5.97/.235
	46113-0126	TIN-LEAD			
16	46113-0163	TIN	20.03/.789	20.55/.809	
	46113-0166	TIN-LEAD			
20	46113-0203	TIN	22.57/.889	25.63/1.009	
	46113-0206	TIN-LEAD			
24	46113-0243	TIN	25.11/.989	25.88/1.019	
	46113-0246	TIN-LEAD			
28	46113-0283	TIN	27.65/1.089	28.17/1.109	
	46113-0286	TIN-LEAD			
32	46113-0323	TIN	30.19/1.189	30.71/1.209	
	46113-0326	TIN-LEAD			
36	46113-0363	TIN	32.73/1.289	33.25/1.309	
	46113-0366	TIN-LEAD			
40	46113-0403	TIN	35.27/1.389	35.79/1.409	
	46113-0406	TIN-LEAD			

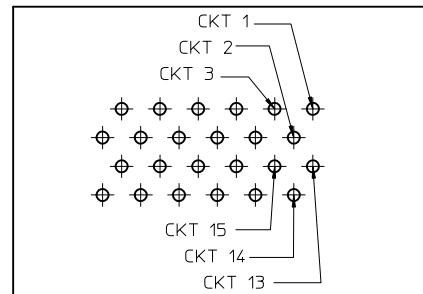
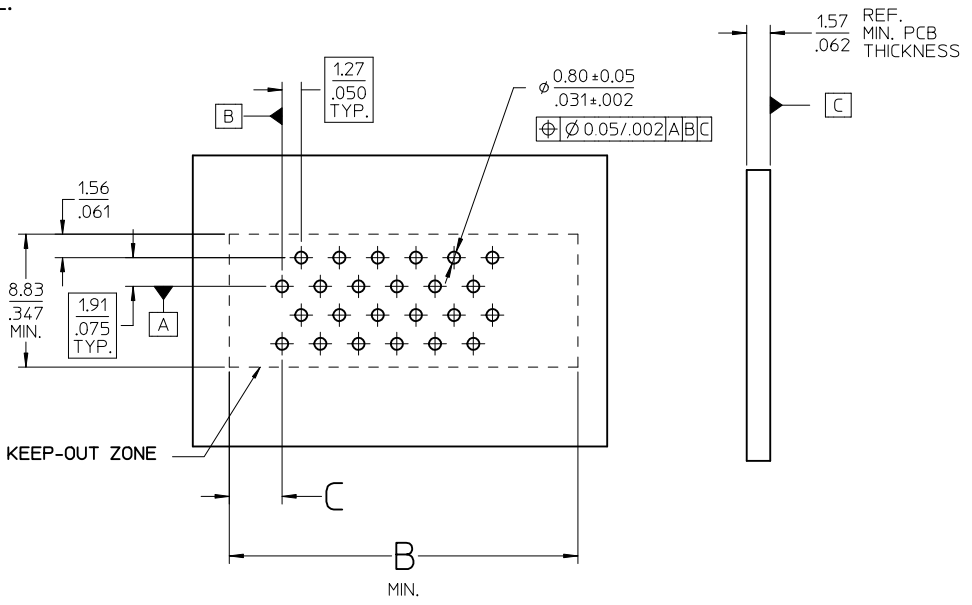
PRESS-FIT ADDED EC NO: UCP2010-1199 DRAWN: MKARADIMAS 2009/11/30 CHKD: JCOMERC I 2009/12/03 APPR: JCOMERC I 2009/12/08 REV: B2	DESCRIPTION LPH VERTICAL RECEPTACLE SIGNAL ASSEMBLY 12 CKT-40 CKT, PRESS-FIT (B2)	GENERAL TOLERANCES (UNLESS SPECIFIED)		DIMENSION STYLE	SCALE	DESIGN UNITS	THIRD ANGLE PROJECTION	
				MM/IN	2:1	METRIC		
				DRAWN BY	DATE	TITLE		
				DATE	2008/03/10	LPH VERTICAL RECEPTACLE SIGNAL ASSEMBLY 12 CKT-40 CKT, PRESS-FIT (B2)		
				DATE	2008/03/14	MOLEX INCORPORATED		
		DATE	2009/12/03	MATERIAL NO. SD-46113-200				
		DATE	2009/12/03	SHEET NO. 1 OF 2				
		DATE	2009/12/03	DOCUMENT NO.				
		DATE	2009/12/03	SEE CHART				
		DATE	2009/12/03	THIS DRAWING CONTAINS INFORMATION THAT IS PROPRIETARY TO MOLEX INCORPORATED AND SHOULD NOT BE USED WITHOUT WRITTEN PERMISSION				

NO OF SIGNAL	DIM. D
12	8.00/.315
16	10.54/.415
20	13.08/.515
24	15.62/.615
28	18.16/.715
32	20.70/.815
36	23.24/.915
40	25.78/1.015



RECOMENDED EDGE CARD LAYOUT
 EDGE CARD THICKNESS: 1.57/.062
 PLATING: GOLD 30 μ INCHES MIN.
 OVER 150 μ INCHES NICKEL.

45°X 0.38/.015 TYP



PCB LAYOUT: COMPONENT SIDE
 SEE SHT 1 FOR DIMENSIONS

PCB COMPONENT SIDE

SEE SHT 1 IEC NO: UCP2010-1199 DRWN:MKARADIMAS 2009/11/30 CHKD: JCOMERC I 2009/12/03 APPR: JCOMERC I 2009/12/08	DESCRIPTION B2	GENERAL TOLERANCES (UNLESS SPECIFIED)		DIMENSION STYLE MM/IN		SCALE 4:1	DESIGN UNITS METRIC	THIRD ANGLE PROJECTION																	
		<table border="1"> <tr> <th></th> <th>mm</th> <th>INCH</th> </tr> <tr> <td>4 PLACES</td> <td>± .010</td> <td>± .0004</td> </tr> <tr> <td>3 PLACES</td> <td>± .015</td> <td>± .0006</td> </tr> <tr> <td>2 PLACES</td> <td>± .025</td> <td>± .0010</td> </tr> <tr> <td>1 PLACE</td> <td>± .050</td> <td>± .0020</td> </tr> </table>			mm	INCH	4 PLACES	± .010	± .0004	3 PLACES	± .015	± .0006	2 PLACES	± .025	± .0010	1 PLACE	± .050	± .0020	DRAWN BY MKARADIMAS		DATE 2008/03/10	TITLE LPH VERTICAL RECEPTACLE SIGNAL ASSEMBLY 12 CKT-40 CKT, PRESS-FIT			
			mm	INCH																					
		4 PLACES	± .010	± .0004																					
3 PLACES	± .015	± .0006																							
2 PLACES	± .025	± .0010																							
1 PLACE	± .050	± .0020																							
CHECKED BY MBANDURA		DATE 2008/03/14		APPROVED BY JCOMERC I		DATE 2009/12/03		MOLEX INCORPORATED DOCUMENT NO. SD-46113-200																	
ANGULAR ±1/2°		DRAFT WHERE APPLICABLE MUST REMAIN WITHIN DIMENSIONS		SEE CHART		SHEET NO. 2 OF 2		THIS DRAWING CONTAINS INFORMATION THAT IS PROPRIETARY TO MOLEX INCORPORATED AND SHOULD NOT BE USED WITHOUT WRITTEN PERMISSION																	