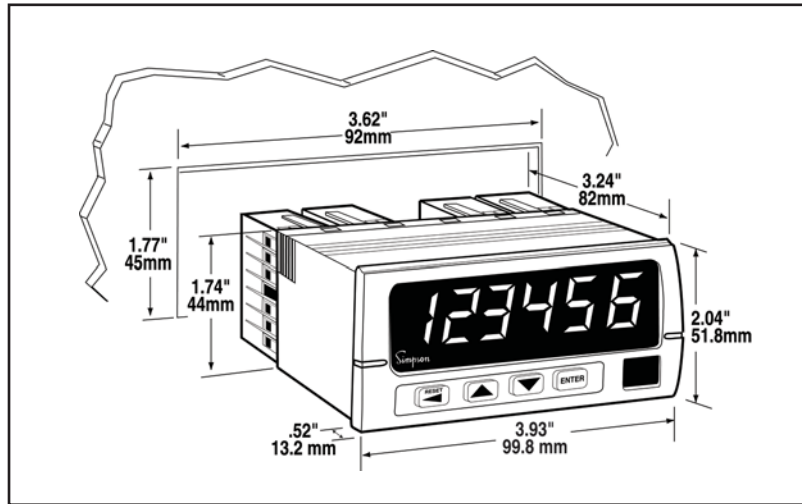




## Dimensions - S660, S661, S662, S663, S664



## Accessories



### Chariot

The Chariot is used to mount most cube-style quadrature encoders and measuring wheels. Made of anodized aluminum, the chariot includes mounting hardware and selectable pivotal points. Wheels, tires, and flexible shaft couplings are sold separately.

**Catalog No. 46012**



### Flexible Shaft Couplings

The one-piece flexible coupling connects the shaft of a cube-style encoder to an ancillary equipment shaft without worry of misalignment of rotary frequency. The coupling ensures minimum windup, minimum rotary oscillation, and no hysteresis.



A Simpson 12" anodized aluminum measuring wheel is the right choice to complete the setup of a length measurement system. Whether the application requires one or two, Simpson's measuring wheels will perform accurately and reliably throughout the measuring process. Also included on the measuring wheel is a printed alignment scale which assists in the installation and measurement of the length measurement system. Simpson offers four replaceable durometer tires that consist of a black tire that has a longer life span and three non marking tires. The three non marking tires are for delicate materials such as plastics, textiles, wood, metal and paper to prevent tearing, damage or marking of delicate materials.

### Description

Coupling: For connecting an encoder to a 3/8" shaft  
Coupling package: For connecting an encoder to 1/4" or 5/16" diameter shaft\*

\*Package includes: One flexible coupling (1/2" I.D.) and three reducing inserts (1/4", 5/16", 3/8").

### Catalog No.

46002  
46003

### Tire Durometer

80A, black tire; longer service life for plastics, metals  
83A, non-marking tire for textiles, medium textures  
92A, non-marking tire for plastics, metals, coarse wood  
70A, non-marking tire for soft textiles

### Catalog No.

46004  
46005  
46006  
46007