

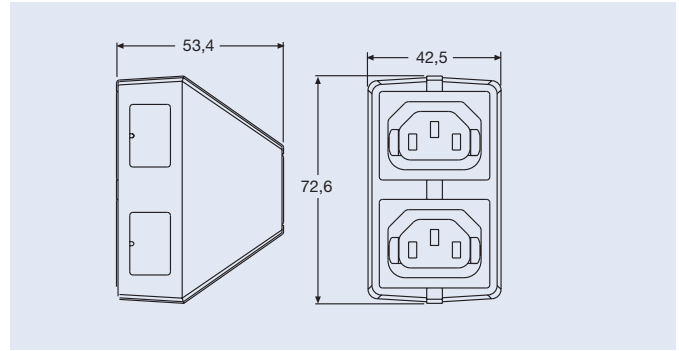
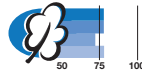
## APPLIANCE COUPLERS

4741, 0712

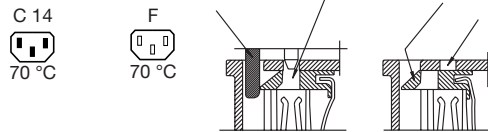
Distribution units

### Twinbloc Type 4741

Stand alone Module of  
2 IEC outlets and 1 IEC Inlet  
Pin temperature 70 °C  
Protection class I  
L and N shuttered



Shutter operation :



#### Technical data

- Rated current/voltage:  
10 A/250 VAC
- Max. Load:  
2,5 kW
- Insulation resistance:  
> 5 MΩ at 500 VDC  
between live and neutral
- Dielectric strength:  
> 2,5 k VAC / 3 sec
- Material:  
Body thermoplastic, black,  
UL 94 V-0

#### Standards

Twinbloc BS 5733 compliance

Inlet IEC/EN 60320-1/C14

Outlet IEC/EN 60320-2-2/F

#### Approvals

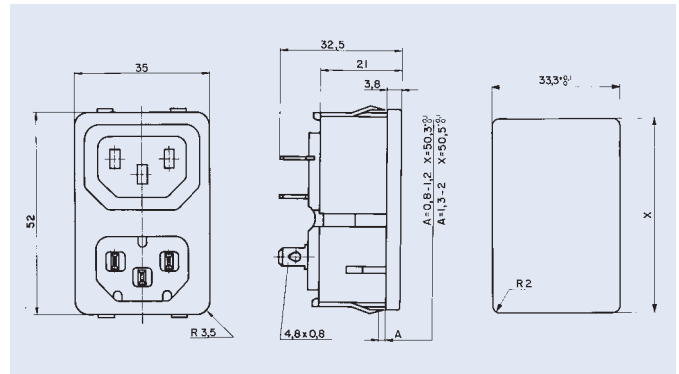
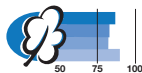
<b>Outlet</b>		<b>Inlet</b>	
	VDE (10 A / 250 VAC)		VDE (10 A / 250 VAC)
	US (15 A / 250 VAC)		CSA (15 A / 250 VAC)

#### Order Numbers

4741.0000

### Appliance inlet / outlet Type 0712

Snap-in mounting  
from front  
Solder-/quick connect  
terminals  
Pin temperature 70 °C  
Protection class I



#### Technical data:

- Rated current/voltage:  
10 A/250 VAC
- Insulation resistance:  
> 10 MΩ (500 VDC, 1 Min.)
- Dielectric strength:  
2 kV (50 Hz, 1 Min.), to  
accessible surfaces
- Material:  
– Socket:  
thermoplastic, black,  
UL 94V-0

#### Standards

IEC/EN 60320-1/C14

IEC/EN 60320-2-2/F

#### Approvals

	SEV (10 A / 250 VAC)		UL (15 A / 250 VAC)
	VDE (10 A / 250 VAC)		CSA (15 A / 250 VAC)
	SEMKO (10 A / 250 VAC)		

#### Order Numbers

4300.0301