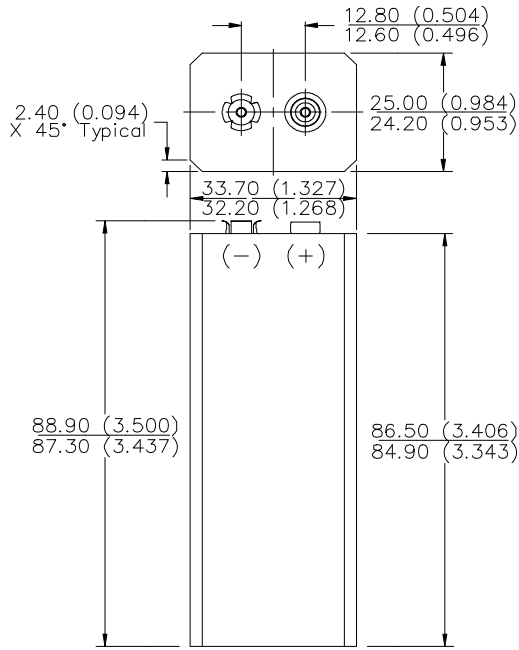


ENERGIZER NO. 416



Industry Standard Dimensions in mm (inches)



Chemical System: Zinc-Manganese Dioxide (Zn/MnO₂)

Designation: ANSI / NEDA-217

Battery Voltage: 67.5 Volts

Average Weight: 114 grams (4.0 oz.)

Volume: 72 cubic centimeters (4.4 cubic inch)

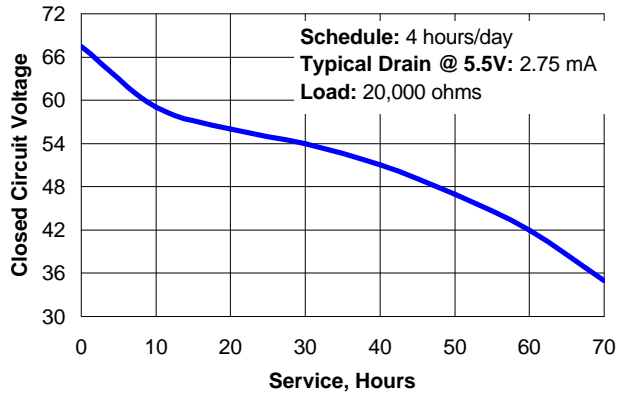
Average Capacity: 140 mAh to 0.8 volts/cell
 (Rated at 25 mA continuous drain at 21°C)

Cells: Forty six No. 112 in series

Jacket: Paper

TYPICAL DISCHARGE CURVE

Simulated Test @ 21°C (70°F)



Simulated Application Test Estimated Average Service at 21°C (70°F)

Schedule:	Typical Drains at 55V (milliamperes)	Load (ohms)	Cutoff Voltage					
			34.5	36.8	41.4	46.0	50.6	55.2
4 hours/day	2.75	20,000	Hours					
			70	68	61	53	42	26

Important Notice

This data sheet contains information specific to batteries manufactured at the time of its publication.

Contents herein do not constitute a warranty.

Copyright © Eveready Battery Co. Inc. - All Rights Reserved