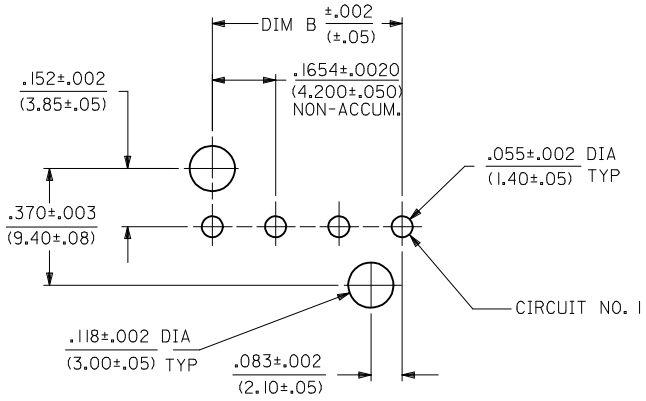
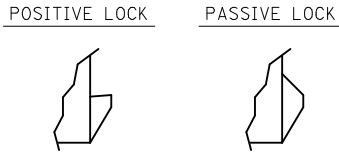
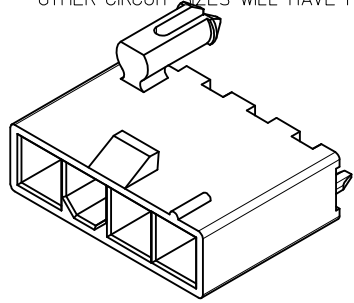
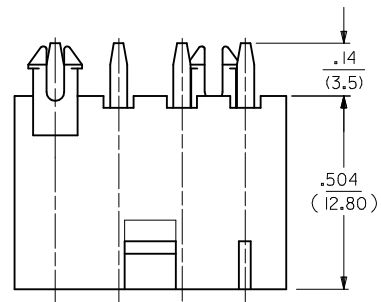
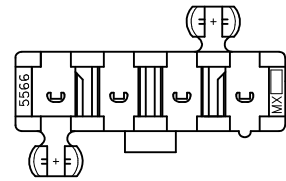
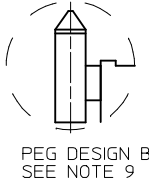


NOTES:

- MATERIALS:
 - HOUSING:
 - "BLANK"=NYLON 6/6, UNFILLED UL94 V-2, COLOR: NATURAL
 - "210"=NYLON 6/6, UNFILLED UL94 V-0, COLOR: NATURAL
 - "BL"=NYLON 6/6, UNFILLED UL94 V-2, COLOR: BLACK
 - "400"=NYLON 6/6, UNFILLED UL94 V-0, COLOR: BLACK
 - TERMINALS:
 - BRASS
- TERMINAL PLATING:
 - "BLANK"=.000035/(0.00090) MIN. BRIGHT TIN OVER .000020/(0.00050) MIN. COPPER
 - GS2=.000015/(0.00038) MIN. SELECT GOLD AND .000100/(0.00254) MIN. SELECT MATTE TIN OVER .000050/(0.00127) MIN. NICKEL OVERALL
 - GS=.000030/(0.00076) MIN. SELECT GOLD AND .000100/(0.00254) MIN. SELECT MATTE TIN OVER .000050/(0.00127) MIN. NICKEL OVERALL
 - S=.000100/(0.00254) MIN. BRIGHT TIN OVER .000050/(0.00127) MIN. NICKEL
 - MS=.000100/(0.00254) MIN. MATTE TIN OVER .000050/(0.00127) MIN. NICKEL
- PRODUCT SPECIFICATION: PS-5556-001
- PACKAGING: TRAY PACKED PER PK-5566-002
- PART MATES WITH MINI-FIT JR. RECEPTACLE NO. 5557.
- PART IS NOT DESIGNED FOR CURRENT SHARING.
- PARTS ARE NOT TO BE MATED OR UN-MATED WHILE CIRCUITS ARE LIVE.
- PART CONFORMS TO CLASS "B" REQUIREMENTS OF COSMETIC SPECIFICATION PS-45499-002.
- 4 CIRCUIT PARTS WILL HAVE PEG DESIGN A. ALL OTHER CIRCUIT SIZES WILL HAVE PEG DESIGN B.



RECOMMENDED HOLE LAYOUT FOR .070/(1.78) MAX. THICK P. C. BOARD VIEWED FROM COMPONENT SIDE

CKT SIZE	DIM A	DIM B
4	.709 (18.00)	.496 (12.60)
5	.874 (22.20)	.661 (16.80)
6	1.039 (26.40)	.827 (21.00)
7	1.205 (30.60)	.992 (25.20)
8	1.370 (34.80)	1.157 (29.40)
9	1.535 (39.00)	1.323 (33.60)
10	1.701 (43.20)	1.488 (37.80)
11	1.866 (47.40)	1.654 (42.00)
12	2.031 (51.60)	1.819 (46.20)

LEGEND:

5566 - N * * * * *

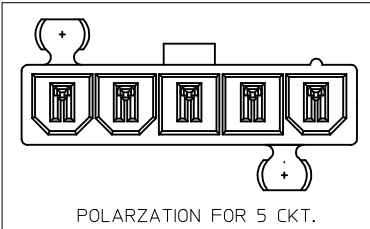
CIRCUIT SIZE (04-12)

ASSEMBLY TYPE
A=W/O DRAIN HOLES
B=WITH DRAIN HOLES

PEG AND LOCK OPTION
3=MTG. PEGS, POSITIVE LOCK
4=MTG. PEGS, PASSIVE LOCK

PLATING (SEE NOTE 2)

HOUSING MAT'L (SEE NOTE 1)



ADD MS-210 P/N'S EC NO: UCP2014-1862 DRAWINGUYEN 2013/10/25 CHKD: JRELL 2013/10/25 APPR: FSMITH 2013/11/18 M5	QUALITY SYMBOLS ∇=0 ∇=0 ∇=0	GENERAL TOLERANCES (UNLESS SPECIFIED)		DIMENSION STYLE IN/MM		SCALE 4:1	DESIGN UNITS METRIC	THIRD ANGLE PROJECTION			
		4 PLACES ± --- ± --- 3 PLACES ± --- ± .015 2 PLACES ± 0.38 ± .020 1 PLACE ± 0.50 ± --- 0 PLACE ± --- ± ---		DRAWN BY DATE KSS 1989/02/19		TITLE VERTICAL HEADER ASSY W/& W/O PEG & DRAIN HOLE MINI-FIT JR SINGLE ROW		DOCUMENT NO. SDA-5566-NL*		SHEET NO. 1 OF 2	
		ANGULAR ±1/2°		CHECKED BY DATE JTR 1989/02/19		APPROVED BY DATE FSMITH 2012/05/04		MATERIAL NO. SEE CHART		THIS DRAWING CONTAINS INFORMATION THAT IS PROPRIETARY TO MOLEX INCORPORATED AND SHOULD NOT BE USED WITHOUT WRITTEN PERMISSION	
		DRAFT WHERE APPLICABLE MUST REMAIN WITHIN DIMENSIONS		SIZE C		MOLEX		MOLEX		MOLEX	

POSITIVE LOCK WITH MTG. PEGS, 94V-2 HOUSING MATERIAL			
PART NO	ENG NO	CKT DRAIN SIZE/HOLE	PLATING OPTION
39-30-2045	5566-04B3	4	YES TIN OVER COPPER
39-30-2055	5566-05B3	5	YES TIN OVER COPPER
39-30-1049	5566-04A3	4	NO TIN OVER COPPER
39-30-1059	5566-05A3	5	NO TIN OVER COPPER
39-30-2047	5566-04B3GS	4	YES 30 M.I. SELECT GOLD
39-30-2057	5566-05B3GS	5	YES 30 M.I. SELECT GOLD
39-30-2041	5566-04A3GS	4	NO 30 M.I. SELECT GOLD
39-30-2051	5566-05A3GS	5	NO 30 M.I. SELECT GOLD
39-30-5049	5566-04B3S	4	YES BRIGHT TIN OVER NICKEL
50-36-2453	5566-04A3S	4	NO BRIGHT TIN OVER NICKEL
50-36-2454	5566-05A3S	5	NO BRIGHT TIN OVER NICKEL
46999-0610	5566-04A3MS	4	NO MATTE TIN OVER NICKEL
46999-0611	5566-05A3MS	5	NO MATTE TIN OVER NICKEL

POSITIVE LOCK WITH MTG. PEGS, 94V-2 BLACK HOUSING			
PART NO	ENG NO	CKT DRAIN SIZE/HOLE	PLATING OPTION
50-29-1528	5566-04A3-BL	4	NO TIN OVER COPPER
50-29-1529	5566-05A3-BL	5	NO TIN OVER COPPER
26-01-3162	5566-04A3S-BL	4	NO BRIGHT TIN OVER NICKEL
26-01-3163	5566-05A3S-BL	5	NO BRIGHT TIN OVER NICKEL

POSITIVE LOCK WITH MTG. PEGS, 94V-0 HOUSING MATERIAL			
PART NO	ENG NO	CKT DRAIN SIZE/HOLE	PLATING OPTION
39-30-2046	5566-04B3-210	4	YES TIN OVER COPPER
39-30-2056	5566-05B3-210	5	YES TIN OVER COPPER
39-30-2040	5566-04A3-210	4	NO TIN OVER COPPER
39-30-2050	5566-05A3-210	5	NO TIN OVER COPPER
39-30-2048	5566-04B3GS-210	4	YES 30 M.I. SELECT GOLD
39-30-2058	5566-05B3GS-210	5	YES 30 M.I. SELECT GOLD
39-30-2042	5566-04A3GS-210	4	NO 30 M.I. SELECT GOLD
39-30-2052	5566-05A3GS-210	5	NO 30 M.I. SELECT GOLD
50-30-4466	5566-04B3S-210	4	YES BRIGHT TIN OVER NICKEL
50-30-4467	5566-05B3S-210	5	YES BRIGHT TIN OVER NICKEL
50-36-2356	5566-04A3S-210	4	NO BRIGHT TIN OVER NICKEL
50-36-2452	5566-05A3S-210	5	NO BRIGHT TIN OVER NICKEL
46999-0627	5566-04A3MS-210	4	NO MATTE TIN OVER NICKEL
46999-0628	5566-05A3MS-210	5	NO MATTE TIN OVER NICKEL

POSITIVE LOCK WITH MTG. PEGS, 94V-0 BLACK HOUSING			
PART NO	ENG NO	CKT DRAIN SIZE/HOLE	PLATING OPTION
46999-0506	5566-04A3GS-400	4	NO 30 M.I. SELECT GOLD
46999-0507	5566-05A3GS-400	5	NO 30 M.I. SELECT GOLD
46999-0577	5566-04A3MS-400	4	NO MATTE TIN OVER NICKEL
46999-0578	5566-05A3MS-400	5	NO MATTE TIN OVER NICKEL

SEE SHEET 1
EC NO: UCP2014-1862
DRAWN: NGUYEN 2013/10/25
CHKD: J.BELL 2013/10/25
APPR: FSMITH 2013/11/18

REVISIONS:
REV 1 DESCRIPTION QUALITY SYMBOLS
1
2
3

GENERAL TOLERANCES (UNLESS SPECIFIED)

	mm	INCH
4 PLACES	± .005	± .0005
3 PLACES	± .015	± .0015
2 PLACES	± .020	± .0020
1 PLACE	± 0.50	± .0200
0 PLACE	± .000	± .0000

ANGULAR ±1/2°
DRAFT WHERE APPLICABLE MUST REMAIN WITHIN DIMENSIONS

DIMENSION STYLE
IN/MM

DRAWN BY: KSS DATE: 1989/02/19
CHECKED BY: JTR DATE: 1989/02/19
APPROVED BY: FSMITH DATE: 2012/05/04

MATERIAL NO. **SEE CHART**

SCALE 1:1
DESIGN UNITS METRIC
THIRD ANGLE PROJECTION

TITLE
VERTICAL HEADER ASSY
W/& W/O PEG & DRAIN HOLE
MINI-FIT JR SINGLE ROW

molex

MATERIAL NO. **SDA-5566-NL***
DOCUMENT NO.
SHEET NO. 2 OF 2

THIS DRAWING CONTAINS INFORMATION THAT IS PROPRIETARY TO MOLEX INCORPORATED AND SHOULD NOT BE USED WITHOUT WRITTEN PERMISSION