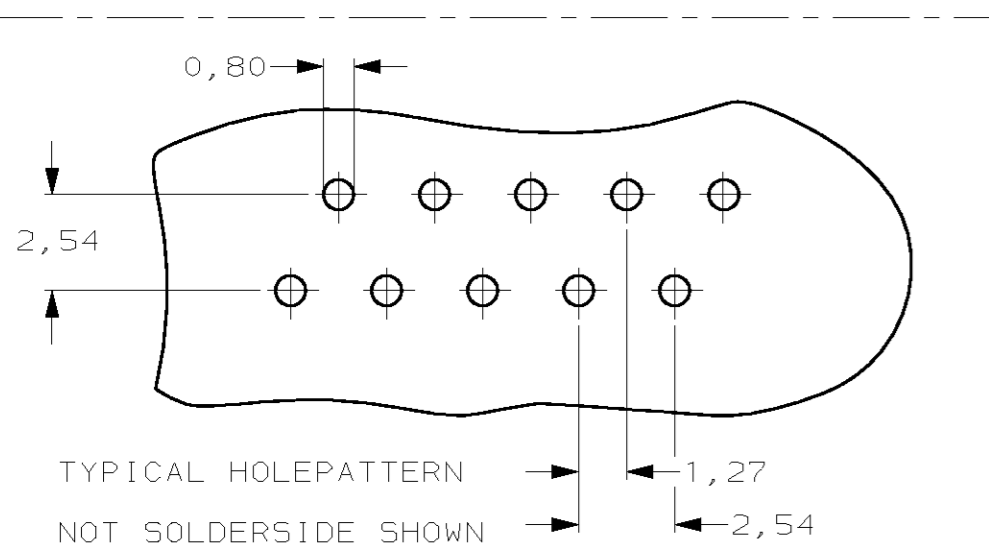
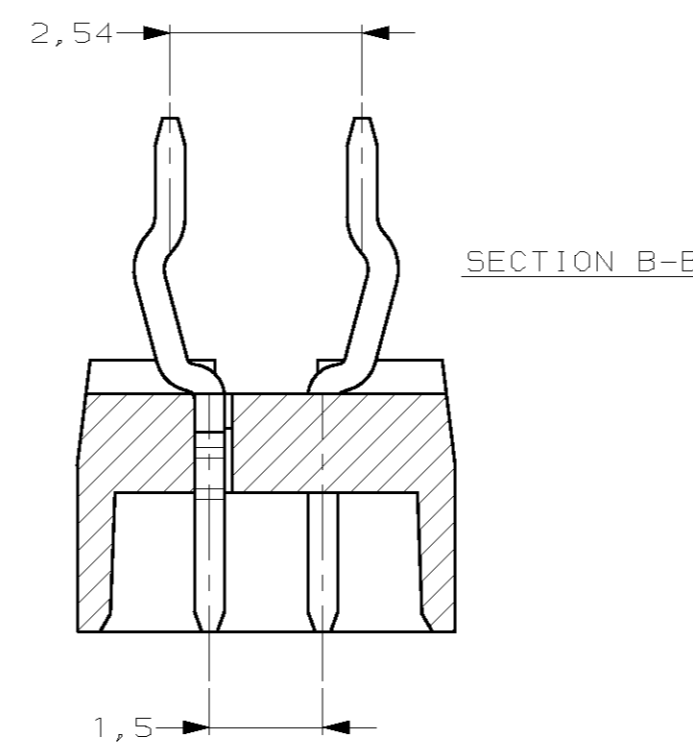
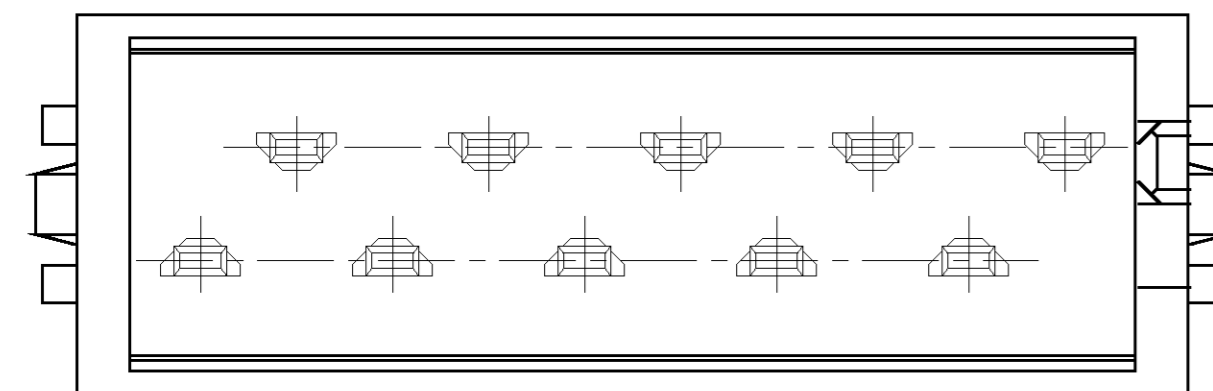
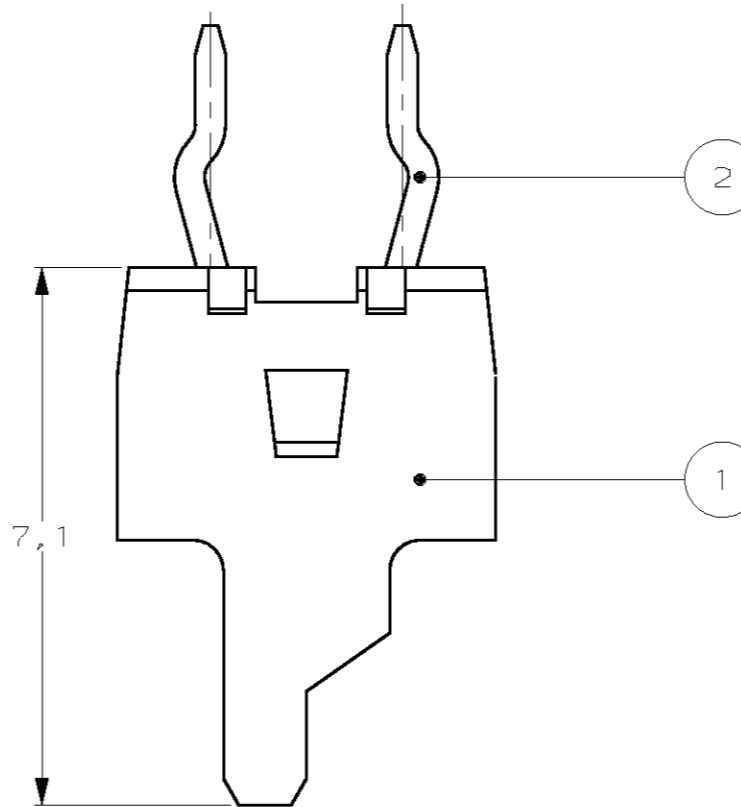
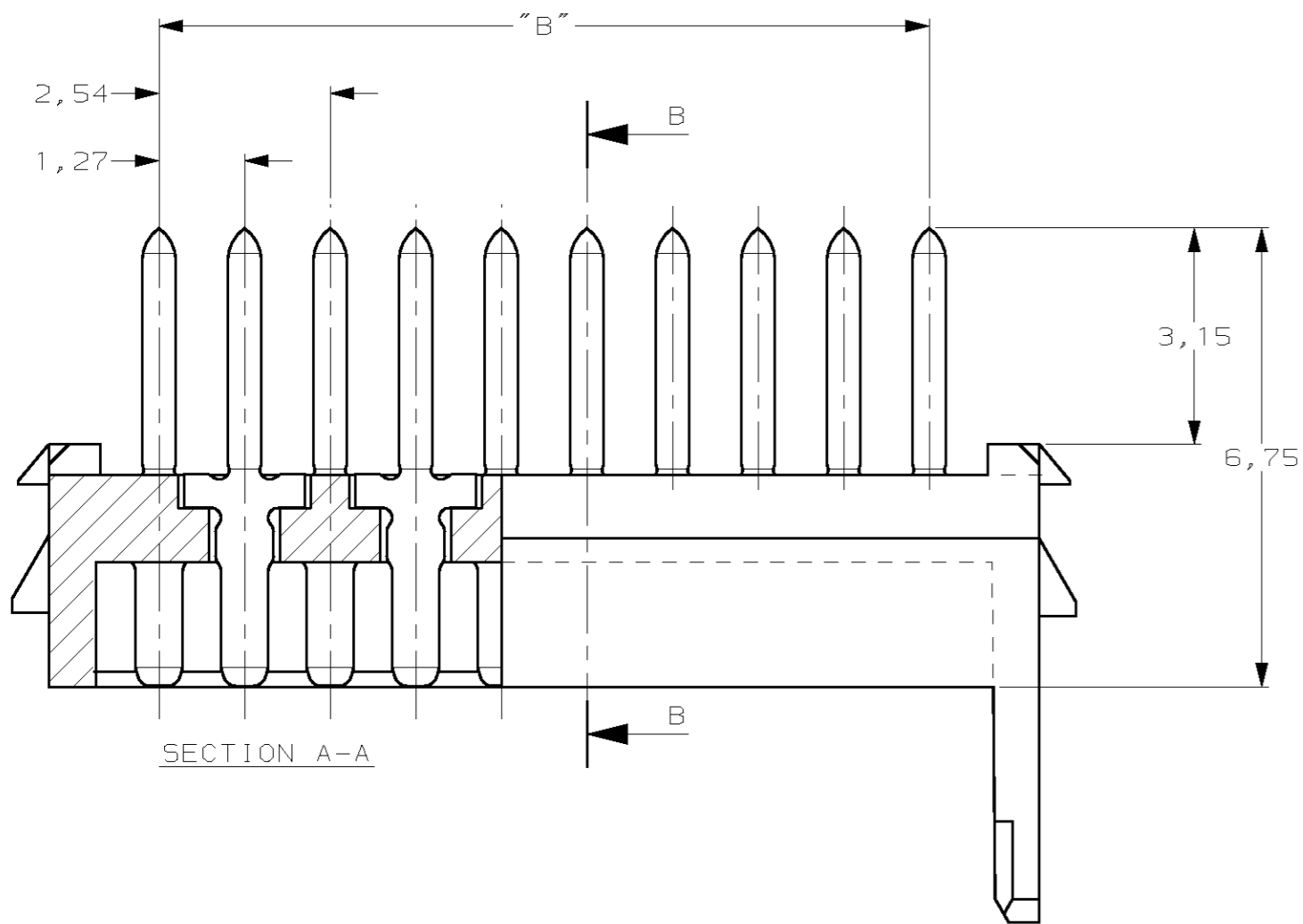
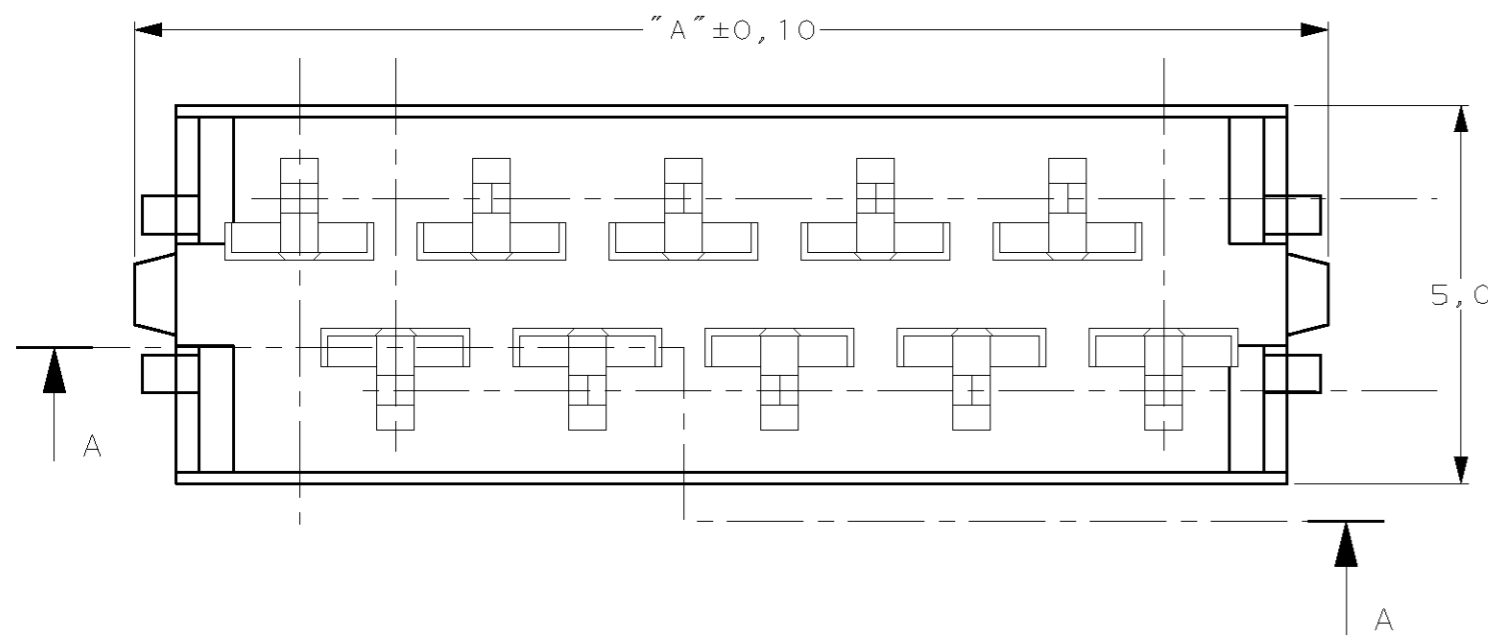


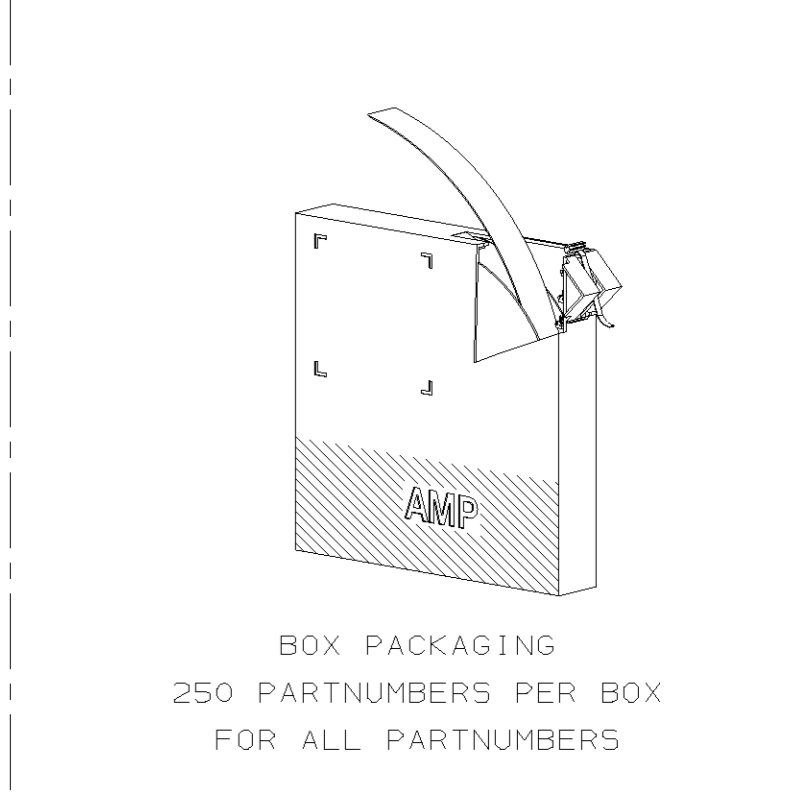
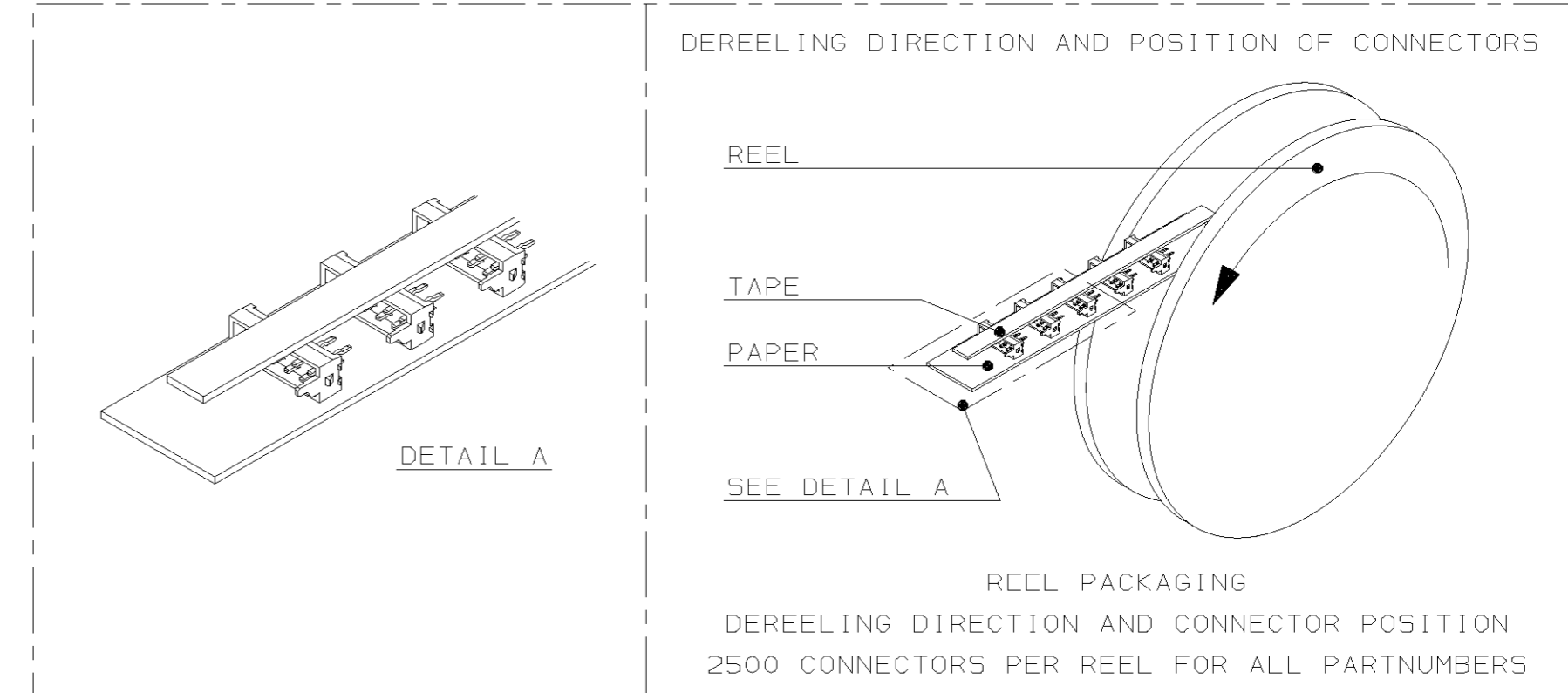
DO NOT SCALE
DIMENSIONS IN mm

METRIC

THIRD ANGLE
PROJECTION



PARTNUMBER BOX PACKAGING	PARTNUMBER REEL PACKAGING	NUMBER OF POSITIONS	DIMENSION	
			"A"	"B"
7-215464-4	0-215464-4	4	8,2	3,81
7-215464-6	0-215464-6	6	10,7	6,35
7-215464-8	0-215464-8	8	13,3	8,89
8-215464-0	1-215464-0	10	15,8	11,43
8-215464-2	1-215464-2	12	18,3	13,97
8-215464-4	1-215464-4	14	20,8	16,51
8-215464-6	1-215464-6	16	23,4	19,05
8-215464-8	1-215464-8	18	25,9	21,59
9-215464-0	2-215464-0	20	28,4	24,13



NOTE:
1. PRODUCT SPECIFICATION: 108-19052

FINISH	MATERIAL	DESCRIPTION	ITEM
TIN OVER NICKEL PLATING.	PHOSPHORBRONZE	MALE CONTACT	2
	GLASS FILLED POLYESTER (RED)	HOUSING	1

CUSTOMER DRAWING				FOR REFERENCE ONLY WILL NOT BE UPDATED	
M	EH10-0382-04	JvdH	EL	12 NOV 04	AMP-HOLLAND B.V. 's-Hertogenbosch, The Netherlands.
L	EH01-0232-04	JvdH	EL	16 FEB 04	
K	H-9745	JVD	-	15 APR 92	
LTR. REVISION RECORD		DR.	CHK.	DATE	
DR.: J. VAN DREUMEL		CHK.: H. KOKKEN	APP.:	-	DWG.No.
DATE: 15-04-92		DATE: -	DATE: -	-	215464
		REV.LTR.	M	SHEET	1 OF 1