

Shock-Safe Fuseholder, 5 x 20 mm, Slot/Fingergrip, IP 40 / IP 67



Fingergrip

250 VAC · 2.5W/10A (VDE) · 16A (UL/CSA)

**Standards**

- IEC 60127-6
- UL 512
- CSA C22.2 no. 39

Approvals

- VDE License Number: 127216
- UL File Number: E39328


References

General Product Information

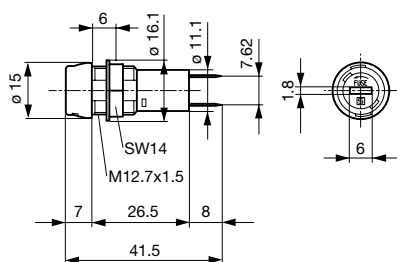
Weblinks

Approvals: www.schurter.com/approvals
 RoHS: <http://www.schurter.com/rohs>
 CHINA-RoHS: www.schurter.com/china-rohs
 Webstore: www.schurterinc.com/estore/search.ihmtl

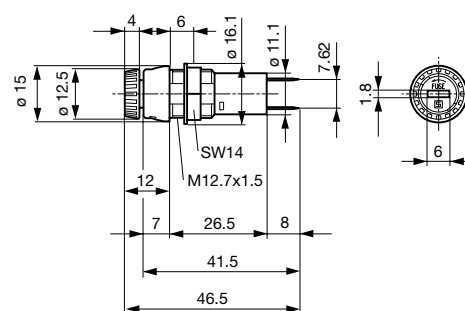
Technical Data

Shocksafe Category	PC2
Fuse-Link	5 x 20 mm
Mounting	Panel Mount, Front-Side
Fastening	Fixing Nut
Terminal	Solder or Quick-Connect 4.8 x 0.5 mm
Rated Voltage	250VAC
Rated Current	10A (VDE), 16A (UL/CSA)
Rated Power Acceptance IEC	2.5W / 10A @ Ta 23°C Admissible power acceptance at higher ambient temperature see derating curves
Degree of Protection	IP 40 / IP 67
Protection Class	Suitable for appliances with protection class I or II acc. to IEC 61140
Admissible Ambient Air Temp.	-40 °C to 85 °C
Climatic Category	40/085/21 acc. to IEC 60068-1
Material: Socket	Thermoplastic, black, UL 94V-0
Material: Terminals	Tin-Plated Copper Alloy
Unit Weight (Socket/Cap)	5.7 g
Storage Conditions	0 °C to 60 °C, max. 70% r.h.
Product Marking	 Type, Voltage Rating, Power Acc./Current Rating, Approvals

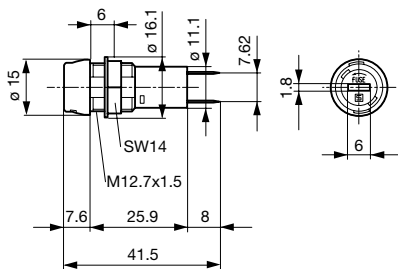
Soldering Methods	Iron
Solderability	350 °C / 2 sec acc. to IEC 60068-2-20, Test Ta, method 2
Resistance to Soldering Heat	350 °C / 10 sec acc. to IEC 60068-2-20, Test Tb, method 2
Contact Resistance	< 5 mΩ at 20 mV
Dielectric Strength	> 3kV between L-N > 4kV between L/N-PE (50Hz; 1 min)
Impulse Withstand Voltage	> 4kV between L-N > 6kV between L/N-PE
Insulation Resistance	> 10 MΩ between L-N > 100 MΩ between L/N-PE (500VDC; 1 min)
Overvoltage Category	I - III acc. to IEC 60664-1
Pollution Degree	1 - 3 acc. to IEC 60664-1
Resistance to Vibration	acc. to IEC 60068-2-6, test Fc
Admissible Torque on Fixing Nut	max 1.2 Nm
Panel Thickness s	max 6 mm

DimensionsLength  41.5 mm

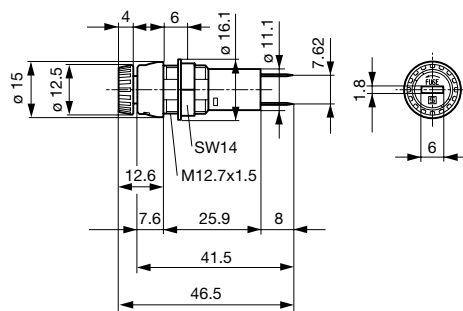
Variants 3101.0010 and 3101.0210



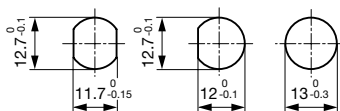
Variants Fingergrip 3101.0015 and 3101.0215



Variants 3101.0110 and 3101.0310

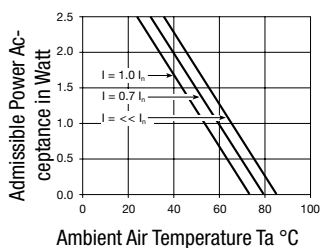


Variants Fingergrip 3101.0115 and 3101.0315



Mounting holes

Derating Curves for Fuseholders



Variants

[Webstore](#)

Holder	Cap	Terminal	Degree of Protection	Order Number
●	Slot Knob	Solder	IP 40	3101.0010
●	Slot Knob	Quick-Connect 4.8 x 0.5 mm	IP 40	3101.0210
●	Fingergrip	Solder	IP 40	3101.0015
●	Fingergrip	Quick-Connect 4.8 x 0.5 mm	IP 40	3101.0215
●	Slot Knob	Solder	IP 67	3101.0110
●	Slot Knob	Quick-Connect 4.8 x 0.5 mm	IP 67	3101.0310
●	Fingergrip	Solder	IP 67	3101.0115
●	Fingergrip	Quick-Connect 4.8 x 0.5 mm	IP 67	3101.0315

White and grey colours available on request

Packaging Unit Bulk 186 x 91 x 91 mm (100 pcs.)