

## FUSEHOLDERS

PCB mount

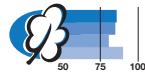
FPG4

for 5 × 20 mm

### Fuseholder Type FPG4

vertical  
shocksafe category PC2  
available in lead-free  
version

**NEW**



- bayonet type fuse carrier, slotted or fingergrasp
- extra PCB-terminals adds stability
- degree of protection IP40 from front-side according to IEC 60529
- sealed from the rear and terminal side
- suitable for equipment with protection classes I and II according to IEC 60536

#### Technical data

- Rated voltage: 250 V
- Rated current: 10 A
- Rated power acceptance at ambient air temperature  $T_a$  23 °C: 2,5 W
- Power acceptance at higher  $T_a$ : see derating curves
- Take note of the information on pages 215–219
- Allowable ambient air temperatures  $T_a$  for accessible parts: -40 °C to +85 °C
- Materials see page 140

Additional technical data see page 140

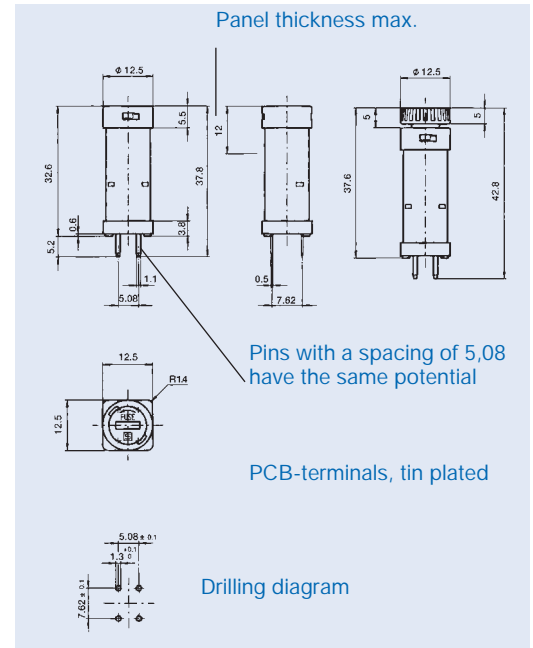
#### Standards

IEC 60127-6  
EN 60127-6  
UL 512, CSA C22.2-39

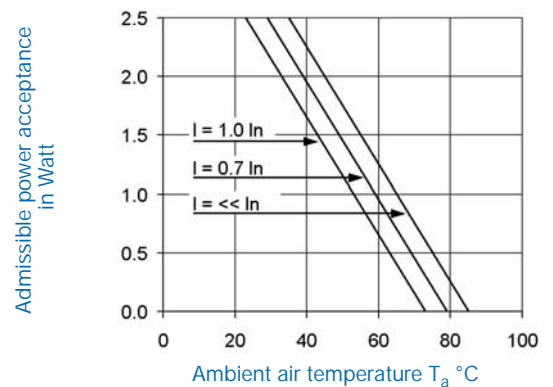
#### Approvals, Patents

SEV	(10 A/250 V)	UL	(16 A/250 V)
VDE	(10 A/250 V)	CSA	(16 A/250 V)
SEMKO	(10 A/250 V)		

Patents in U.S. (No. 4,453,794/4,536,054) and in further countries



#### Derating curve



Order No.	Fuse carrier	Degree of protection
3101.0040	Fuseholder complete, black slotted	IP 40
3101.0045	Fuseholder complete, black Fingergrasp	IP 40

• **New** .BF for lead-free version  
Accessories see page 183