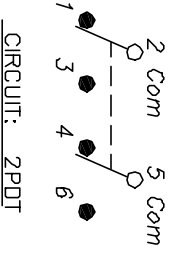


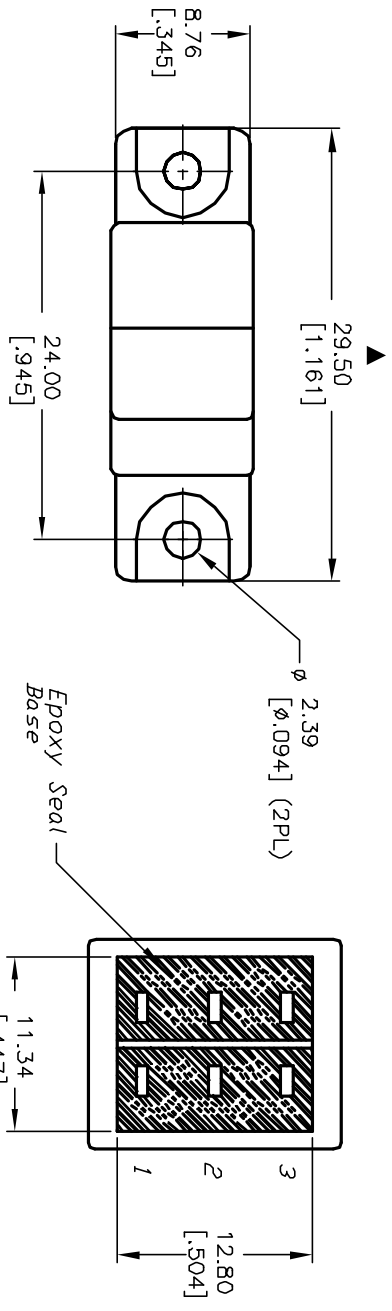
RECOMMENDED PANEL MOUNT



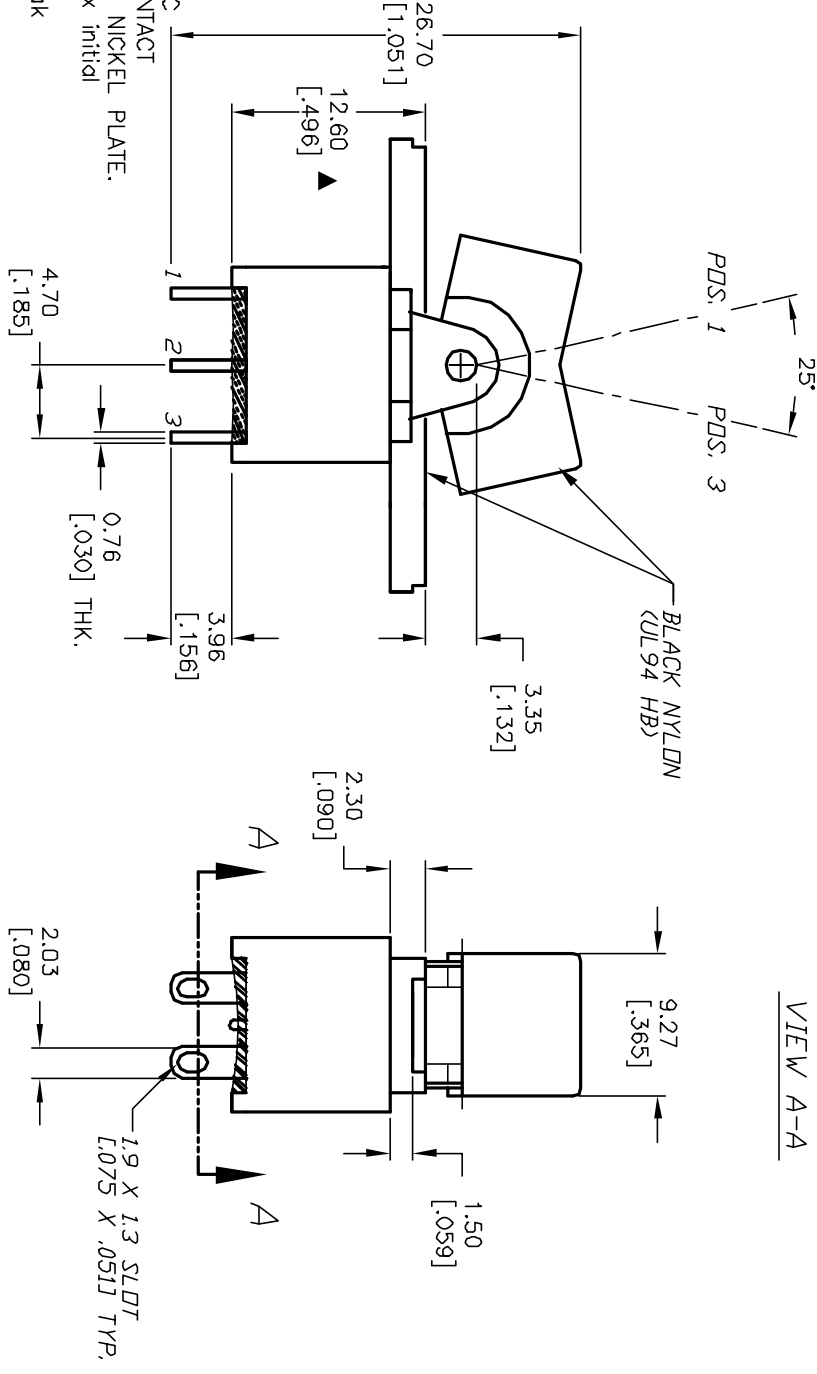
SWITCH FUNCTION		
PDS 1	PDS 2	PDS 3
<DN >	DEF	<DN >
2-3-5-6	OPEN	2-1-5-4

( < ) = MOMENTARY

- NOTES:
1. ALL DIMENSIONS IN MM [INCH]
  2. GENERAL TOLERANCE: X.X=±0.4  
X.XX=±0.25
  3. TERM. NOS. FOR REF. ONLY
  4. RATING: 0.4volt-Amps max@20VAC OR DC
  5. MATERIAL: FIXED TERMINAL & MOVING CONTACT  
Copper Alloy w/GOLD PLATE OVER NICKEL PLATE.
  6. CONTACT RESISTANCE: 10mILLI Ohms max initial  
@2-4VDC, 100mA for AG & AU
  7. ELECTRICAL LIFE: 30,000 make-and-break  
cycles at full load.
  8. INSULATION RESISTANCE: 1,000M ohm min.
  9. DIELECTRIC STRENGTH: 1000V RMS @sea level
  10. OPERATING TEMP.: -30°C to 85°C
  11. ▲ DENOTES CRITICAL PARAMETER.



VIEW A-A



REV.	ECN No.	DESCRIPTION	DATE	CHKD	SCALE	DATE	DR	DWG	REV
A	13035	RELEASED FOR PRODUCTION	4/10/03	AR	2:1	4/10/03	AR	T302010	A
TITLE					3004 WDP4R1M1RE				
E-SWITCH®									
THE INFORMATION CONTAINED IN THIS DOCUMENT IS PROPRIETARY TO E-SWITCH AND IS NOT TO BE COPIED OR TRANSFERRED									