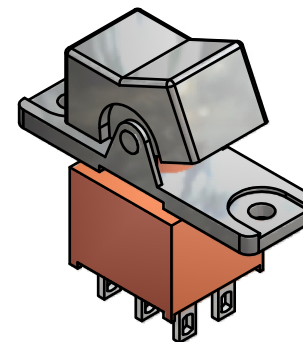
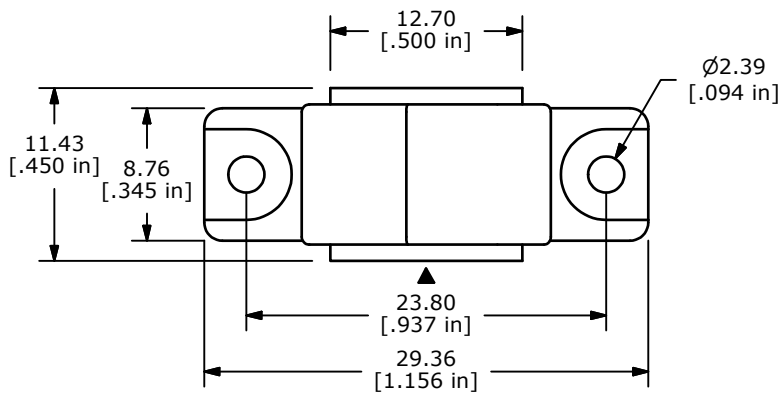
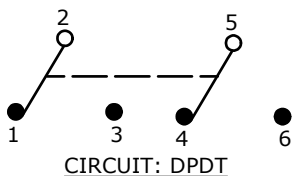


RECOMMENDED PANEL MOUNT

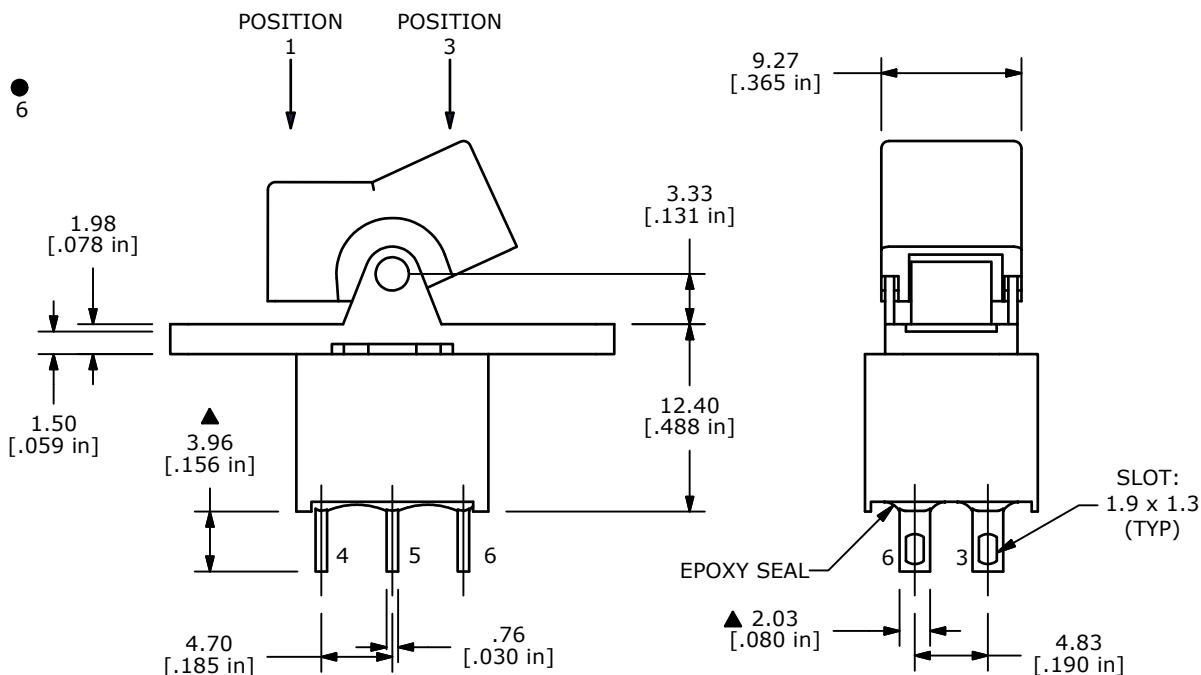


ISOMETRIC



| SWITCH FUNCTION |        |          |
|-----------------|--------|----------|
| POS. 1          | POS. 2 | POS. 3   |
|                 |        |          |
| ON              | NONE   | ON       |
| 2-3, 5-6        | N/A    | 2-1, 5-4 |

(ON) = MOMENTARY



NOTE:

1. ALL DIMENSIONS IN MM [INCH]
2. GENERAL TOLERANCE: X.X=±0.4  
X.XX=±0.25
3. TERMINAL NUMBERS FOR REF ONLY
4. PLATING MATERIAL: SILVER
5. RATING: 5 AMPS @ 120VAC OR 28VDC  
2 AMPS @ 250VAC
6. ELECTRIC LIFE: 30,000 MAKE-AND-BREAK CYCLES AT FULL LOAD.
7. INSULATION RESISTANCE: 1,000 MEGA-OHM MIN.
8. DIELECTRIC STRENGTH: 1,000 V RMS @SEA LEVEL.
9. OPERATING TEMP.: -30°C to 85°C
10. ▲DENOTES CRITICAL PARAMETER.
11. 2002/95/EC (ROHS) COMPLAINT



|     |        |                        |          |     |
|-----|--------|------------------------|----------|-----|
| B   | 20389  | UPDATE TO INVENTOR     | 01/06/12 | BMA |
| A   | 11912  | RELEASE FOR PRODUCTION | 02/06/02 | CB  |
| REV | PCR NO | DESCRIPTION            | DATE     | BY  |

|                         |               |        |             |       |
|-------------------------|---------------|--------|-------------|-------|
| TITLE 300AWDP1R1BLKM1QE |               |        |             |       |
| SCALE 2:1               | DATE 1/6/2012 | DR BMA | DWG T302006 | REV B |

THE INFORMATION CONTAINED IN THIS DOCUMENT IS PROPRIETARY TO E-SWITCH AND IS NOT TO BE COPIED OR TRANSFERRED