

Distributed by:

**JAMECO**<sup>®</sup>  
ELECTRONICS

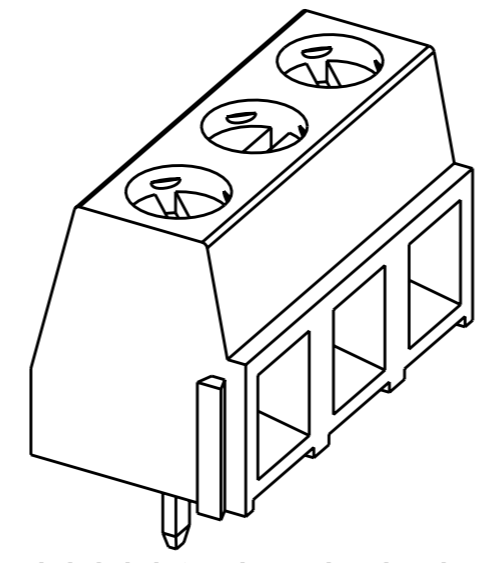
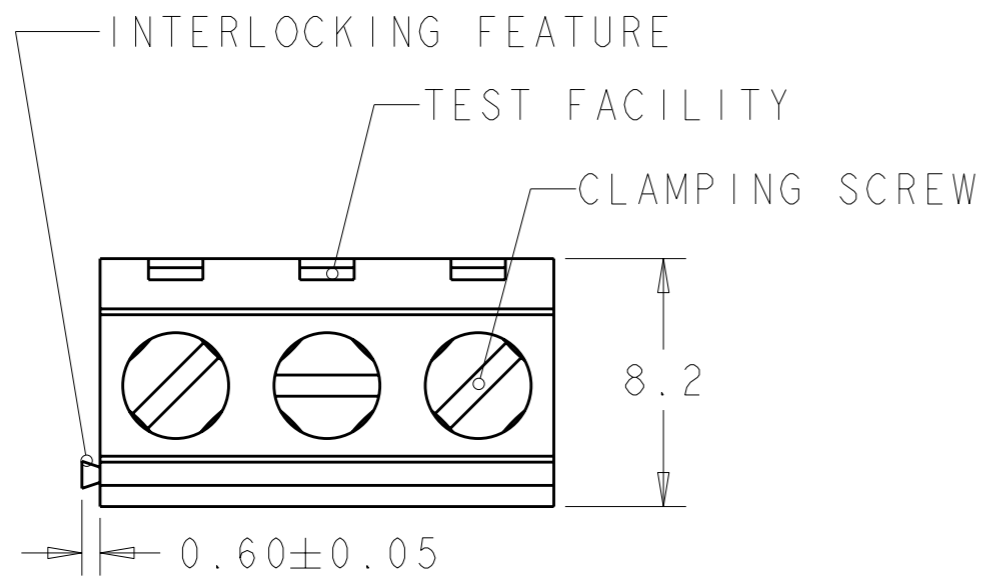
**www.Jameco.com ♦ 1-800-831-4242**

The content and copyrights of the attached  
material are the property of its owner.

Jameco Part Number 750661

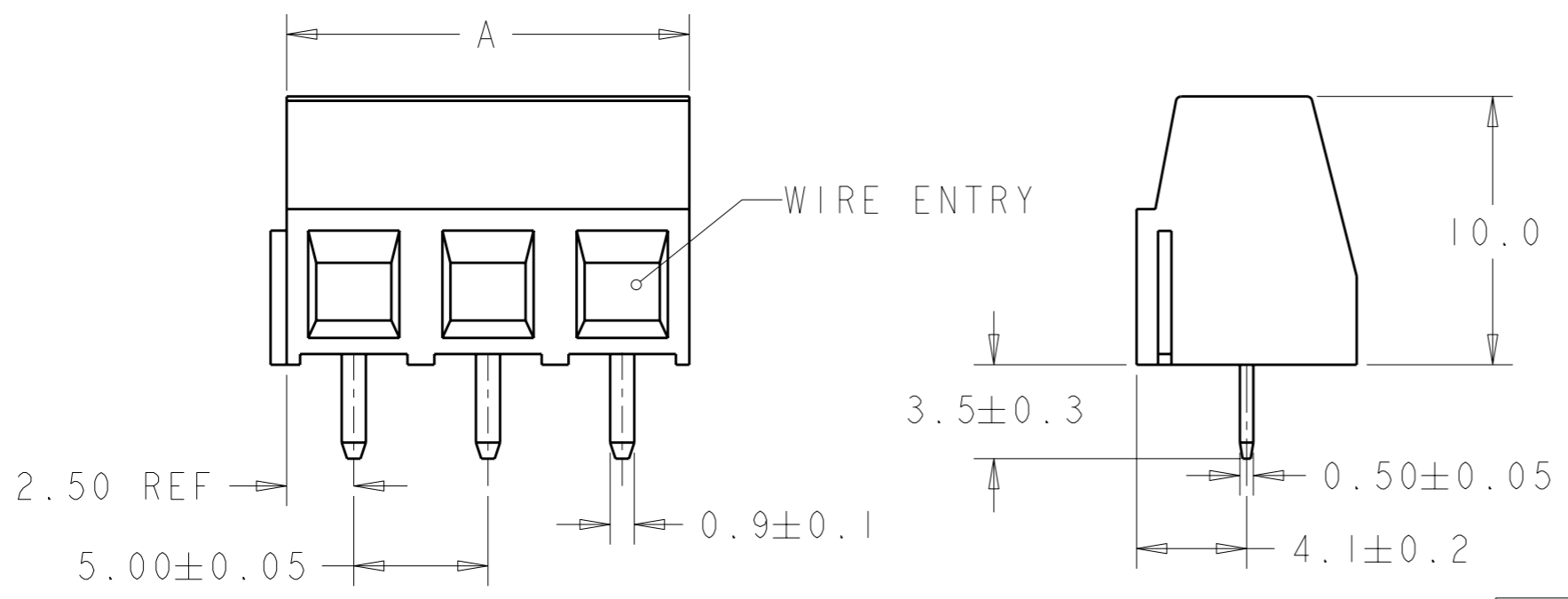
THIS DRAWING IS UNPUBLISHED. RELEASED FOR PUBLICATION 20  
 © COPYRIGHT 20 BY TYCO ELECTRONICS CORPORATION. ALL RIGHTS RESERVED.

LOC	DIST	REVISIONS			
P	LTR	DESCRIPTION	DATE	DWN	APVD
FT	0				
	D	REVISED PER 0G3B-0106-01	24AUG2001	EZ	DB
	E	REVISED PER 0G3B-0119-01	24AUG2001	EZ	DB
	F	ADDED 2-7, EC 0G3B-0236-01	05DEC2002	SW	CR
	G	REACTIVATE -1, ECO-06-013873	14JUN2006	SW	CR

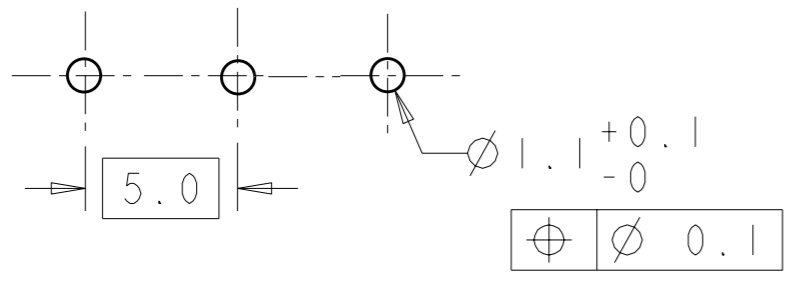


282836-3 AS SHOWN

SEE SHEET 3	30	6	2-282836-7
	125	25	2-282836-6
	120	24	2-282836-5
	115	23	2-282836-4
	110	22	2-282836-3
	105	21	2-282836-2
	100	20	2-282836-1
	95	19	2-282836-0
	90	18	1-282836-9
	85	17	1-282836-8
	80	16	1-282836-7
	75	15	1-282836-6
	70	14	1-282836-5
	65	13	1-282836-4
SEE SHEET 3	10	2	1-282836-3
	60	12	1-282836-2
	55	11	1-282836-1
	50	10	1-282836-0
	45	9	282836-9
	40	8	282836-8
	35	7	282836-7
	30	6	282836-6
	25	5	282836-5
	20	4	282836-4
	15	3	282836-3
	10	2	282836-2
	10	2	282836-1



MARKING	DIM. A	N° OF POS.	PART NUMBER
SEE SHEET 2			

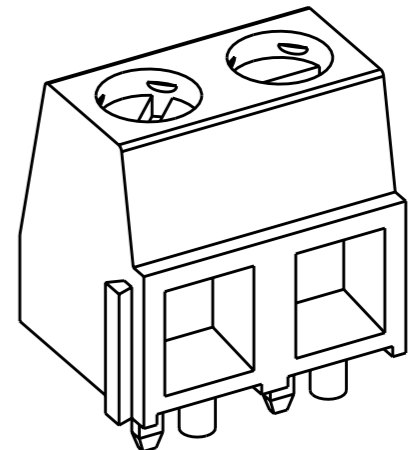
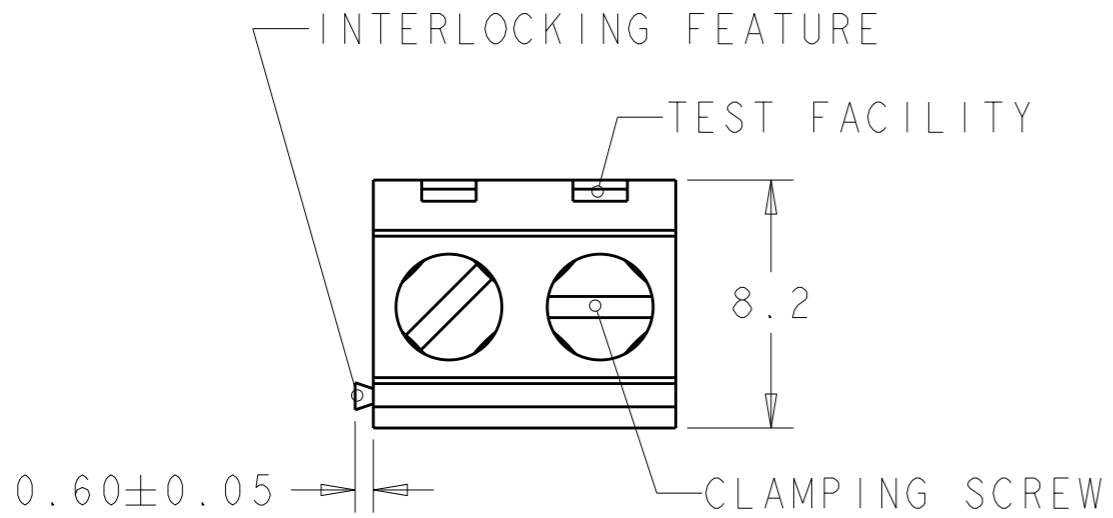


RECOMMENDED PC BOARD LAYOUT

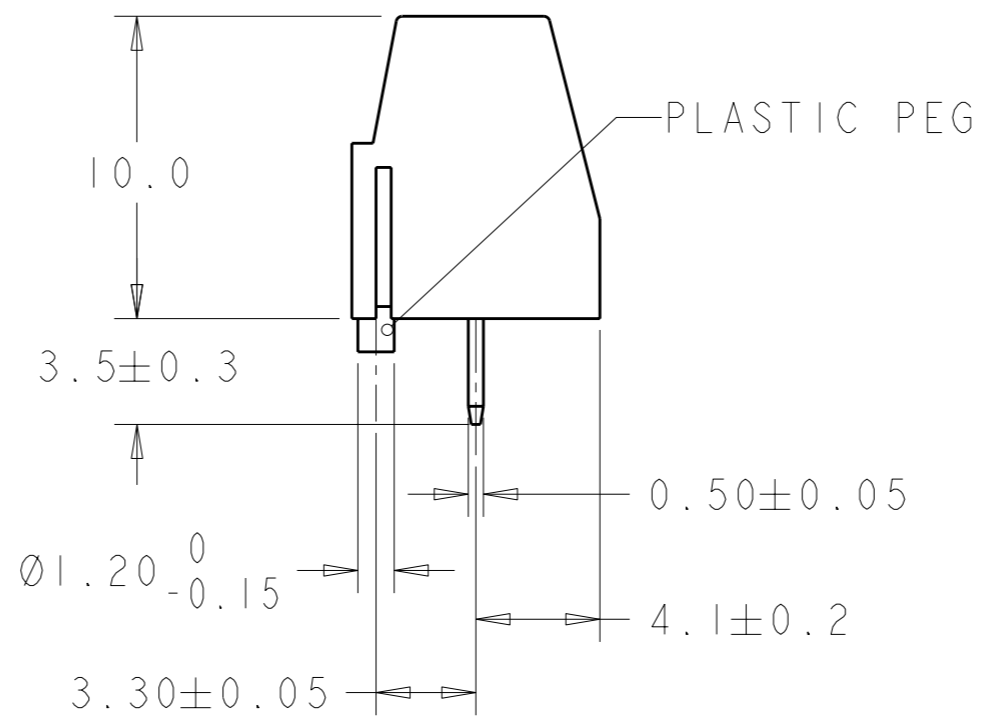
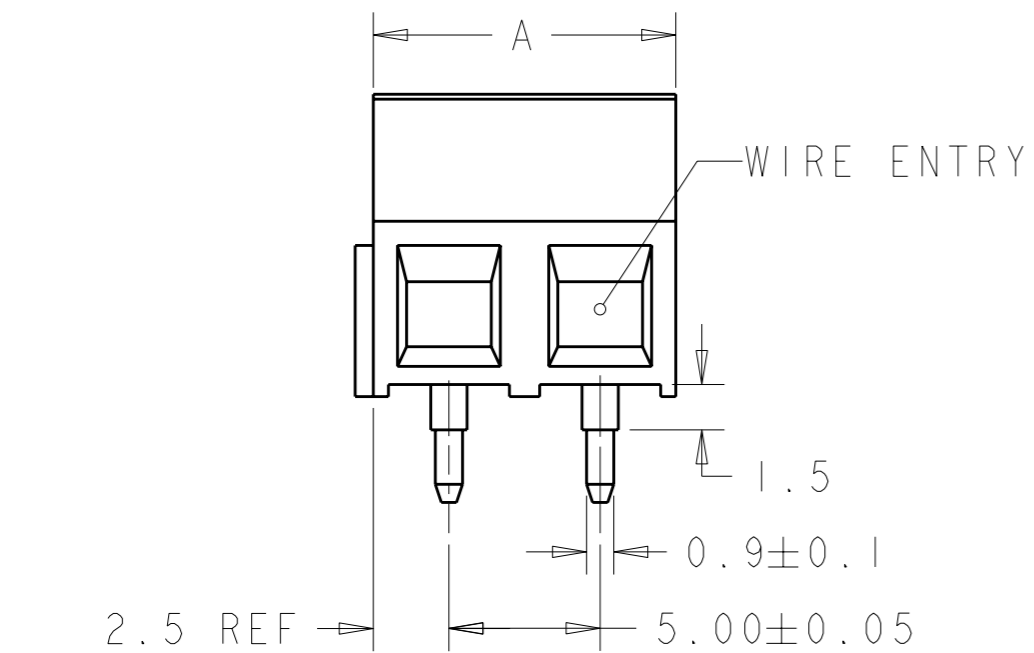
<small>THIS DRAWING IS A CONTROLLED DOCUMENT FOR TYCO ELECTRONICS CORPORATION IT IS SUBJECT TO CHANGE AND THE CONTROLLING ENGINEERING ORGANIZATION SHOULD BE CONTACTED FOR THE LATEST REVISION.</small>		DWN 24AUG2001 E. ZANOLINI CHK 24AUG2001 D. BIEVENOUR APVD 24AUG2001 D. BIEVENOUR		<b>BUCHANAN</b> Tyco Electronics Harrisburg, PA 17105-3608	
DIMENSIONS: mm		TOLERANCES UNLESS OTHERWISE SPECIFIED: 0 PLC ±.2 1 PLC ±.2 2 PLC ±.15 3 PLC ±. 4 PLC ±. ANGLES ±2		NAME TERMINAL BLOCK PCB MOUNT SIDE ENTRY WIRE, STACKING W/INTERLOCK, 5mm PITCH	
MATERIAL -		FINISH -		PRODUCT SPEC 108-20166 APPLICATION SPEC 114-20079 WEIGHT -	
CUSTOMER DRAWING				SIZE A3 CAGE CODE 00779 DRAWING NO C-282836 RESTRICTED TO -	
SCALE 2:1				SHEET 1 OF 3 REV G	

THIS DRAWING IS UNPUBLISHED. RELEASED FOR PUBLICATION 20  
 © COPYRIGHT 20 BY TYCO ELECTRONICS CORPORATION. ALL RIGHTS RESERVED.

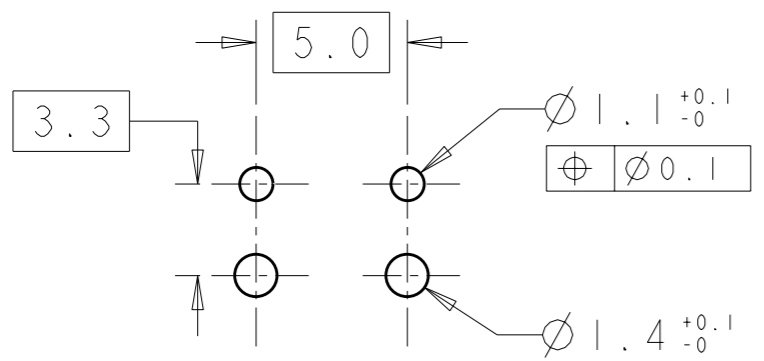
LOC	DIST	REVISIONS				
P	LTR	DESCRIPTION	DATE	DWN	APVD	
FT	0	-	SEE SHEET 1	-	-	



282836-1 AS SHOWN  
 PEG VERSION



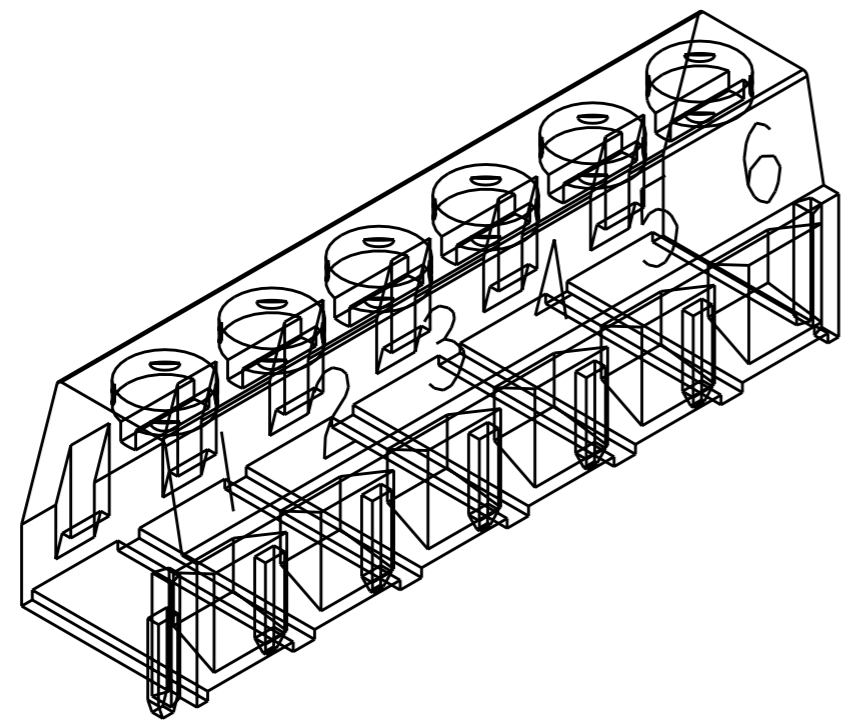
RECOMMENDED PC BOARD LAYOUT



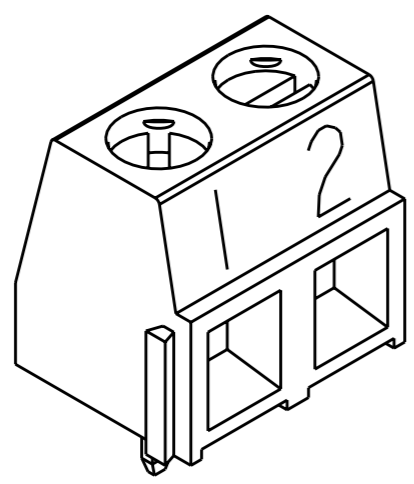
<small>THIS DRAWING IS A CONTROLLED DOCUMENT FOR TYCO ELECTRONICS CORPORATION          IT IS SUBJECT TO CHANGE AND THE CONTROLLING ENGINEERING ORGANIZATION          SHOULD BE CONTACTED FOR THE LATEST REVISION.</small>		DWN 24AUG2001 E. ZANOLINI CHK 24AUG2001 D. BIEVENOUR APVD 24AUG2001 D. BIEVENOUR		<b>BUCHANAN</b> Tyco Electronics Harrisburg, PA 17105-3608	
DIMENSIONS: mm		TOLERANCES UNLESS OTHERWISE SPECIFIED: 0 PLC ±. 1 PLC ±.2 2 PLC ±.15 3 PLC ±. 4 PLC ±. ANGLES ±2		NAME TERMINAL BLOCK PCB MOUNT SIDE ENTRY WIRE, STACKING W/INTERLOCK, 5mm PITCH	
MATERIAL -		FINISH -		SIZE A3 CAGE CODE 00779 DRAWING NO. C-282836 RESTRICTED TO -	
CUSTOMER DRAWING				SCALE 2:1 SHEET 2 OF 3 REV G	

THIS DRAWING IS UNPUBLISHED. RELEASED FOR PUBLICATION 20  
 © COPYRIGHT 20 BY TYCO ELECTRONICS CORPORATION. ALL RIGHTS RESERVED.

LOC	DIST	REVISIONS			
P	LTR	DESCRIPTION	DATE	DWN	APVD
FT	0	SEE SHEET 1	-	-	-



2-282836-7 AS SHOWN



1-282836-3 AS SHOWN

- 1 MATERIALS AND FINISH  
 HOUSING: PA 6-6, UL 94-V0, COLOR GREEN.  
 CLAMP: BRASS, NICKEL PLATED.  
 TERMINAL: BRASS, TIN PLATED.  
 CLAMPING SCREW: M3, BRASS, NICKEL PLATED.
- 2 SUITABLE FOR 1,6-2,4mm PC BOARD THICKNESS.
- 3 END-TO-END STACKABLE W/INTERLOCK WITHOUT LOSS OF CENTERLINE SPACING.
- 4 WIRE SIZE RANGE  
 SOLID WIRE: 0,03-1,5mm<sup>2</sup> (15AWG).  
 STRANDED WIRE: 0,03-1mm<sup>2</sup> (17AWG).
- 5 RECOGNIZED UNDER THE COMPONENT PROGRAM OF UNDERWRITERS LABORATORIES INC. FILE N° E60677.
- 6 IMQ CERTIFICATE WITH SURVEILLANCE IN CONFORMITY WITH IEC 998-1/998-2-1.
- 7 NOT CUMULATIVE TOLERANCE.
- 8 INK MARKING, WHITE COLOR, UNLESS OTHERWISE SPECIFIED. NUMERICAL SEQUENCE FROM LEFT TO RIGHT UNLESS OTHERWISE SPECIFIED.

<small>THIS DRAWING IS A CONTROLLED DOCUMENT FOR TYCO ELECTRONICS CORPORATION IT IS SUBJECT TO CHANGE AND THE CONTROLLING ENGINEERING ORGANIZATION SHOULD BE CONTACTED FOR THE LATEST REVISION.</small>		DWN 24AUG2001 E. ZANOLINI		<b>BUCHANAN</b> Tyco Electronics Harrisburg, PA 17105-3608	
DIMENSIONS: mm		TOLERANCES UNLESS OTHERWISE SPECIFIED: 0 PLC ±- 1 PLC ±.2 2 PLC ±.15 3 PLC ±- 4 PLC ±- ANGLES ±2		NAME TERMINAL BLOCK PCB MOUNT SIDE ENTRY WIRE, STACKING W/INTERLOCK, 5mm PITCH	
		MATERIAL - FINISH -		SIZE A3 CAGE CODE 00779 DRAWING NO C-282836 RESTRICTED TO -	
MATERIAL - FINISH -		WEIGHT -		SCALE 4:1 SHEET 3 OF 3 REV G	
CUSTOMER DRAWING				PRODUCT SPEC - APPLICATION SPEC -	