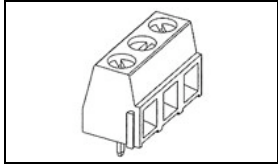


282836-3 Product Details



282836-3

TE Internal Number: 282836-3



Terminal Block Connectors

 Always EU RoHS/ELV Compliant (Statement of Compliance)

Product Highlights:

- Connector
- Type of Connector = Wire Receptacle
- Housing Color = Green
- Side Stackable
- Without Screw Flange

Documentation & Additional Information

Product Drawings:

- [TERMINAL BLOCK, PCB MOUNT, SIDE WIRE ENTRY, STACKING...](#) (PDF, English)

Catalog Pages/Data Sheets:

- [1-1773458-1_EURO_STYLE_TERMINAL_BLOCKS_QRG](#) (PDF, English)
- [BUCHANAN TERMINAL BLOCKS CATALOG - EUROSTYLE TERMINA...](#) (PDF, English)
- [Eurostyle Terminal Blocks Focus Product Stock List](#) (PDF, English)

Product Specifications:

- None Available

Application Specifications:

- [Terminal Block Stacking Connectors](#) (PDF, English)

Instruction Sheets:

- None Available

CAD Files: (CAD Format & Compression Information)

- [2D Drawing](#) (DXF, Version H)
- [3D Model](#) (IGES, Version H)
- [3D Model](#) (STEP, Version H)

Additional Information:

- [Product Line Information](#)

Related Products:

- [Tooling](#)

Product Features (Please use the Product Drawing for all design activity)

Product Type Features:

- [Product Type](#) = Connector
- [Type of Connector](#) = Wire Receptacle
- [Mount Angle](#) = Vertical
- [Screw Size](#) = M3

Electrical Characteristics:

- [Amperes \(A\)](#) = 13.5
- [Voltage \(VAC\)](#) = 300

Dimensions:

- [PCB Tail Length \(mm \[in\]\)](#) = 3.50 [0.138]

Body Features:

- [Side Stackable](#) = Yes
- [Wire Entry Diameter \(Solid Wire\) \(mm²\)](#) = 0.03 - 1.50
- [Wire Entry Diameter \(Stranded Wire\) \(mm²\)](#) = 0.03 - 1.00
- [Wire Entry Angle](#) = Side
- [Closed End](#) = Without
- [Stacked Levels](#) = Without
- [Interlock](#) = With
- [Wire Range \(mm \[AWG\]\)](#) = 0.05-1.40² [30-16]
- [Screw Material](#) = Brass
- [Screw Plating](#) = Nickel

Contact Features:

- [Contact Base Material](#) = Brass
- [Contact Plating, Mating Area, Material](#) = Tin

Housing Features:

- [Housing Color](#) = Green
- [Centerline \(mm \[in\]\)](#) = 5.00 [0.197]
- [Housing Material](#) = Polyamide 6.6 GF
- [UL Flammability Rating](#) = UL 94V-0

Configuration Features:

- [Screw Flange](#) = Without
- [Number of Positions](#) = 3

Industry Standards:

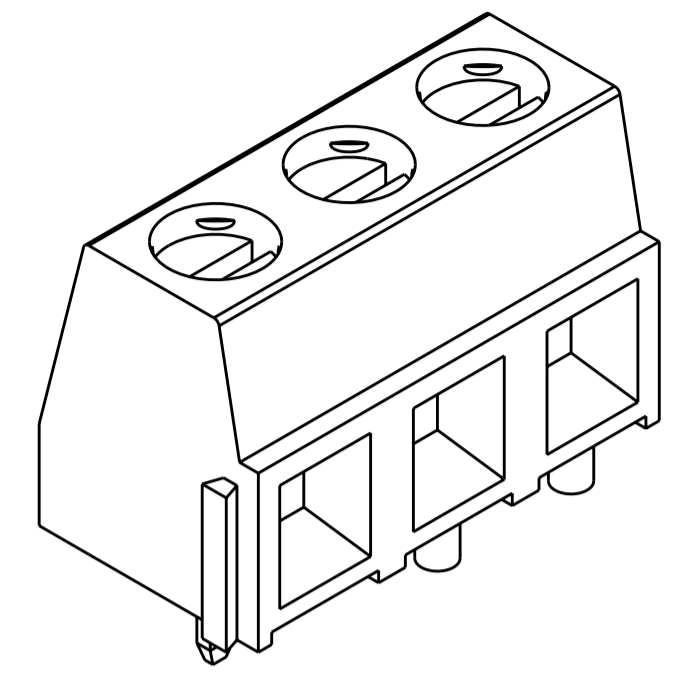
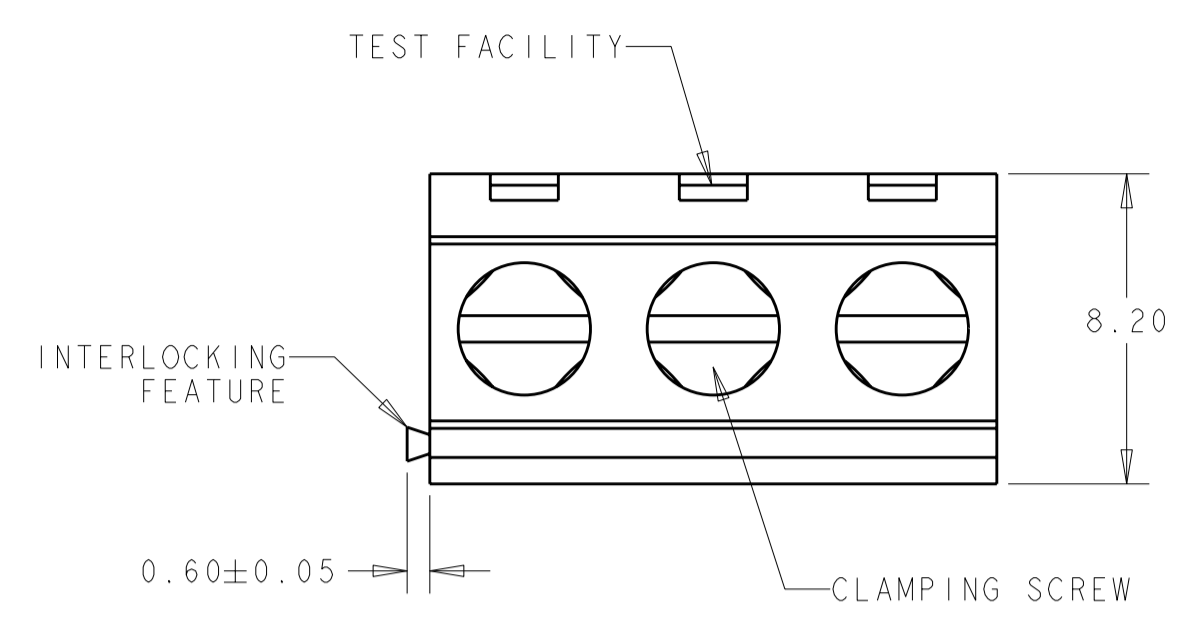
- [RoHS/ELV Compliance](#) = RoHS compliant, ELV compliant
- [Lead Free Solder Processes](#) = Wave solder capable to 240°C
- [RoHS/ELV Compliance History](#) = Always was RoHS compliant

Other:

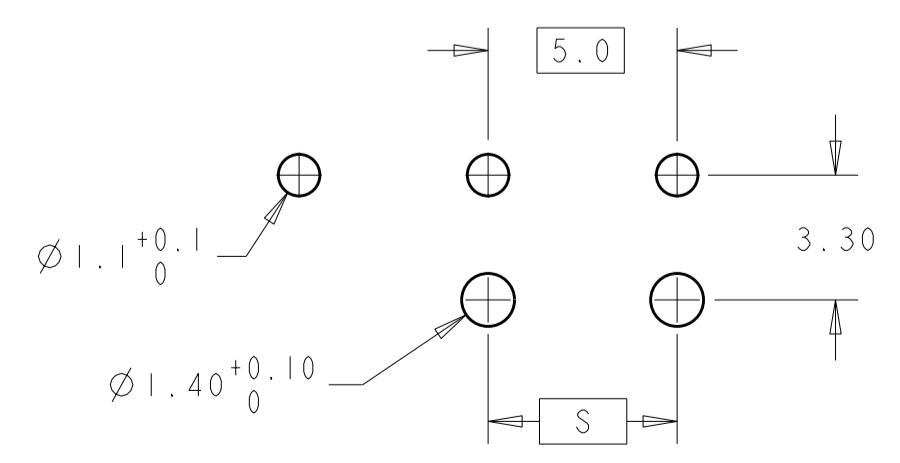
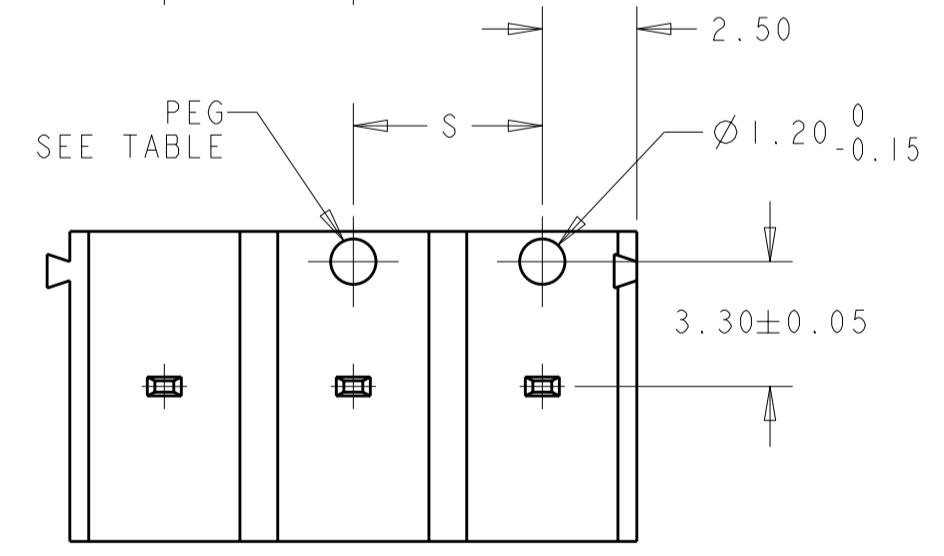
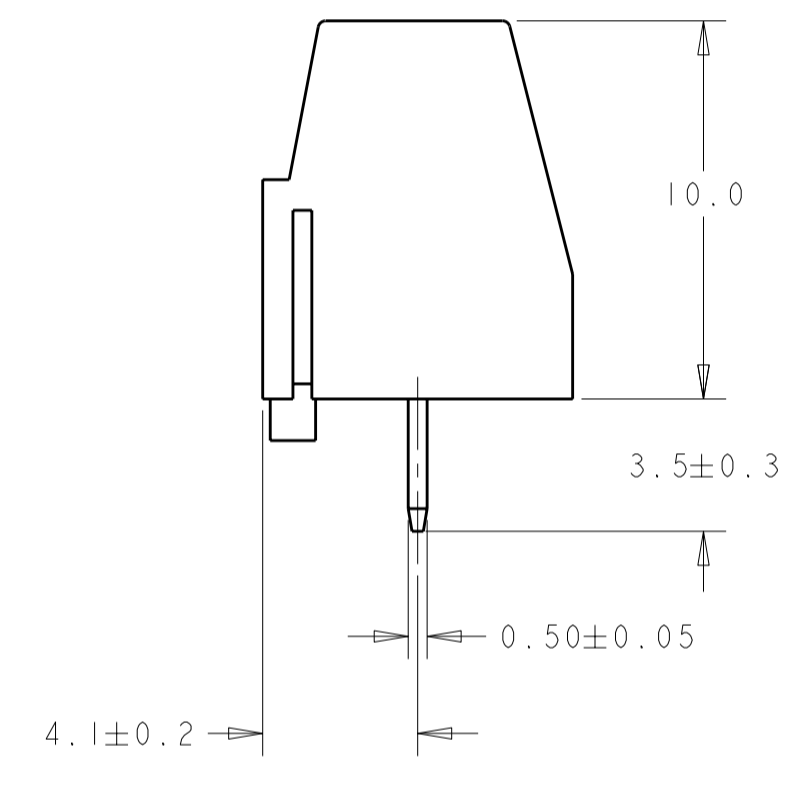
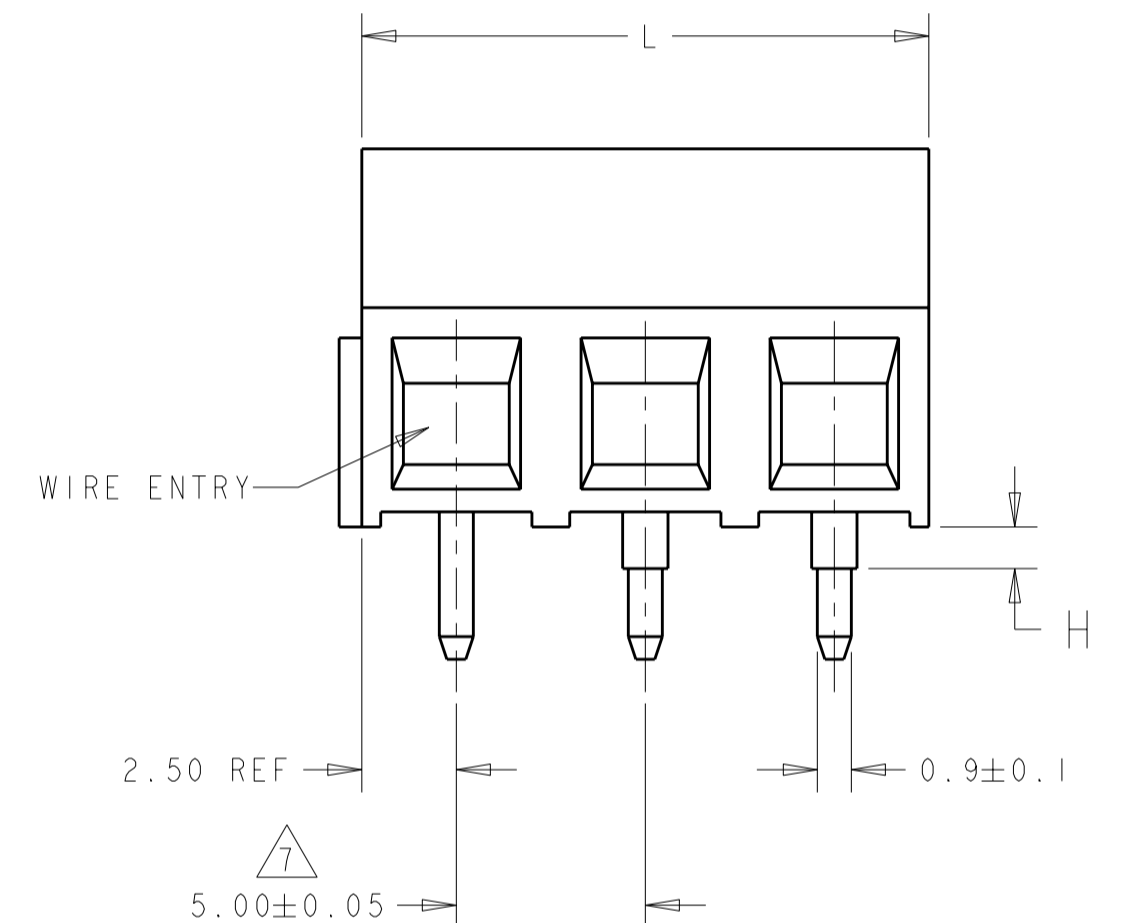
- [Brand](#) = Buchanan
- [Comment](#) = 10A Field Wiring

THIS DRAWING IS UNPUBLISHED. RELEASED FOR PUBLICATION 20
 © COPYRIGHT 20 BY TYCO ELECTRONICS CORPORATION. ALL RIGHTS RESERVED.

LOC		DIST		REVISIONS			
P	LTR	DATE	DWN	APVD			
FT	0						
	H9	REVISED PER ECO-10-024761	09DEC2010	HMR	CR		



SEE SHEET 2



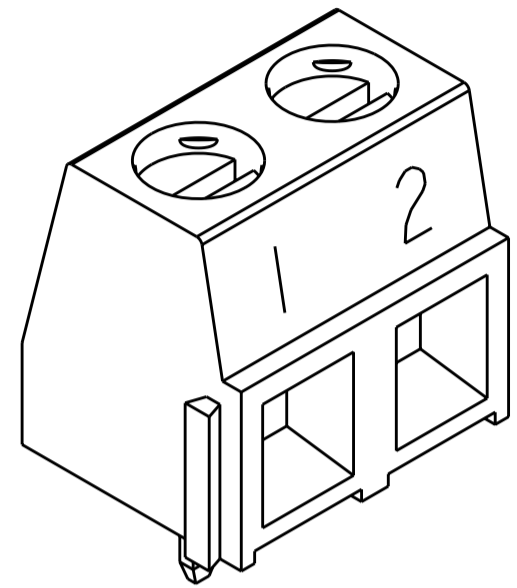
RECOMMENDED PC BOARD LAYOUT

QTY	S	H	MARKING	L	NO OF POSN	PART NUMBER
1	N/A	3.5	-	35	7	3-282836-7
1	N/A	3.5	SEE SHEET 2	15	3	3-282836-5
1	N/A	3.5	-	30	6	3-282836-4
1	N/A	3.5	-	25	5	3-282836-3
1	N/A	3.5	-	20	4	3-282836-2
1	N/A	3.5	-	10	2	3-282836-1
1	N/A	3.5	-	40	8	3-282836-0
1	N/A	3.5	-	45	9	2-282836-8
0	N/A	N/A	SEE SHEET 2	30	6	2-282836-7
0	N/A	N/A	-	125	25	2-282836-6
0	N/A	N/A	-	120	24	2-282836-5
0	N/A	N/A	-	115	23	2-282836-4
0	N/A	N/A	-	110	22	2-282836-3
0	N/A	N/A	-	105	21	2-282836-2
0	N/A	N/A	-	100	20	2-282836-1
0	N/A	N/A	-	95	19	2-282836-0
0	N/A	N/A	-	90	18	1-282836-9
0	N/A	N/A	-	85	17	1-282836-8
0	N/A	N/A	-	80	16	1-282836-7
0	N/A	N/A	-	75	15	1-282836-6
0	N/A	N/A	-	70	14	1-282836-5
0	N/A	N/A	-	65	13	1-282836-4
0	N/A	N/A	SEE SHEET 2	10	2	1-282836-3
0	N/A	N/A	-	60	12	1-282836-2
0	N/A	N/A	-	55	11	1-282836-1
0	N/A	N/A	-	50	10	1-282836-0
0	N/A	N/A	-	45	9	282836-9
0	N/A	N/A	-	40	8	282836-8
0	N/A	N/A	-	35	7	282836-7
0	N/A	N/A	-	30	6	282836-6
0	N/A	N/A	-	25	5	282836-5
0	N/A	N/A	-	20	4	282836-4
0	N/A	N/A	-	15	3	282836-3
0	N/A	N/A	-	10	2	282836-2
2	5.0	1.1	-	10	2	282836-1

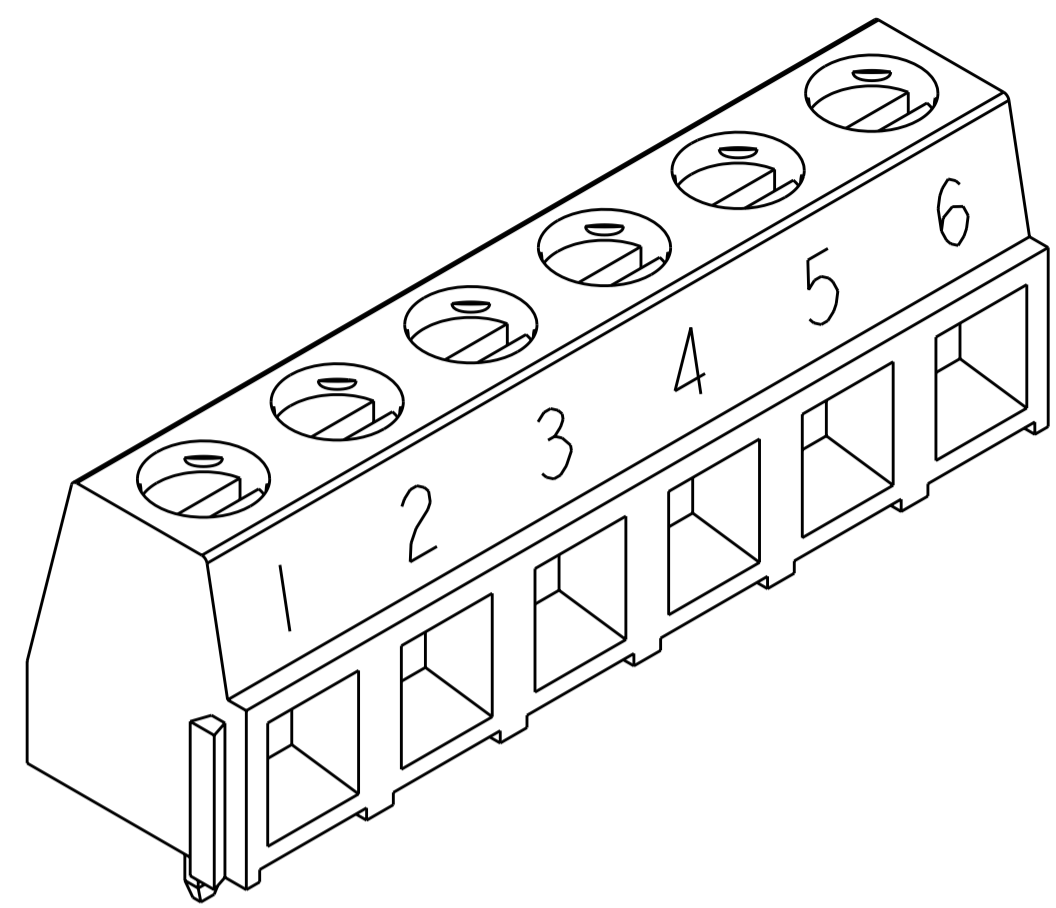
THIS DRAWING IS A CONTROLLED DOCUMENT FOR TYCO ELECTRONICS CORPORATION IT IS SUBJECT TO CHANGE AND THE CONTROLLING ENGINEERING ORGANIZATION SHOULD BE CONTACTED FOR THE LATEST REVISION.		DWN S. WELDON 28SEP2007 CHK C. RICHARD 28SEP2007 APVD C. RICHARD 28SEP2007	Tyco Electronics Harrisburg, PA 17105-3608
DIMENSIONS: mm	TOLERANCES UNLESS OTHERWISE SPECIFIED: 0 PLC ± 1 PLC ±0.2 2 PLC ±0.15 3 PLC ±0.000 4 PLC ±0.0000 ANGLES ±2° FINISH	PRODUCT SPEC APPLICATION SPEC WEIGHT	NAME TERMINAL BLOCK, PCB MOUNT, SIDE WIRE ENTRY, STACKING WITH INTERLOCK, 5.00mm PITCH
MATERIAL	FINISH	CUSTOMER DRAWING	SIZE A2 CAGE CODE 00779 DRAWING NO. C-282836 RESTRICTED TO
SCALE 4:1		SHEET 1 OF 2	REV. H9

THIS DRAWING IS UNPUBLISHED. RELEASED FOR PUBLICATION 20
 © COPYRIGHT 20 BY TYCO ELECTRONICS CORPORATION. ALL RIGHTS RESERVED.

LOC	DIST	REVISIONS			
P	LTR	DESCRIPTION	DATE	DWN	APVD
FT	0	-	SEE SHEET 1	-	-

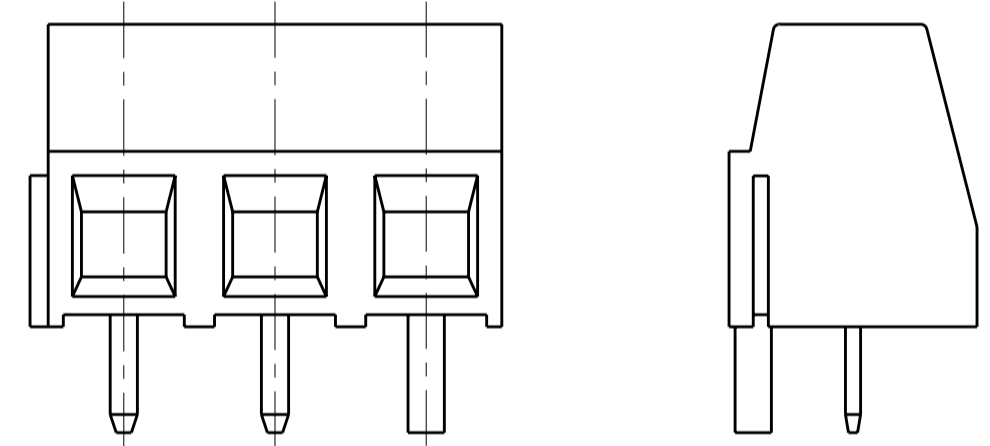
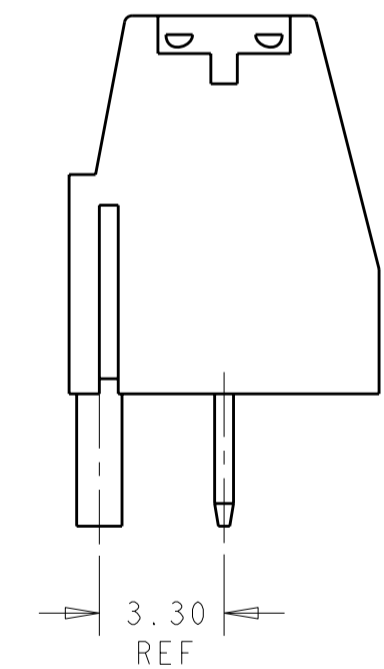
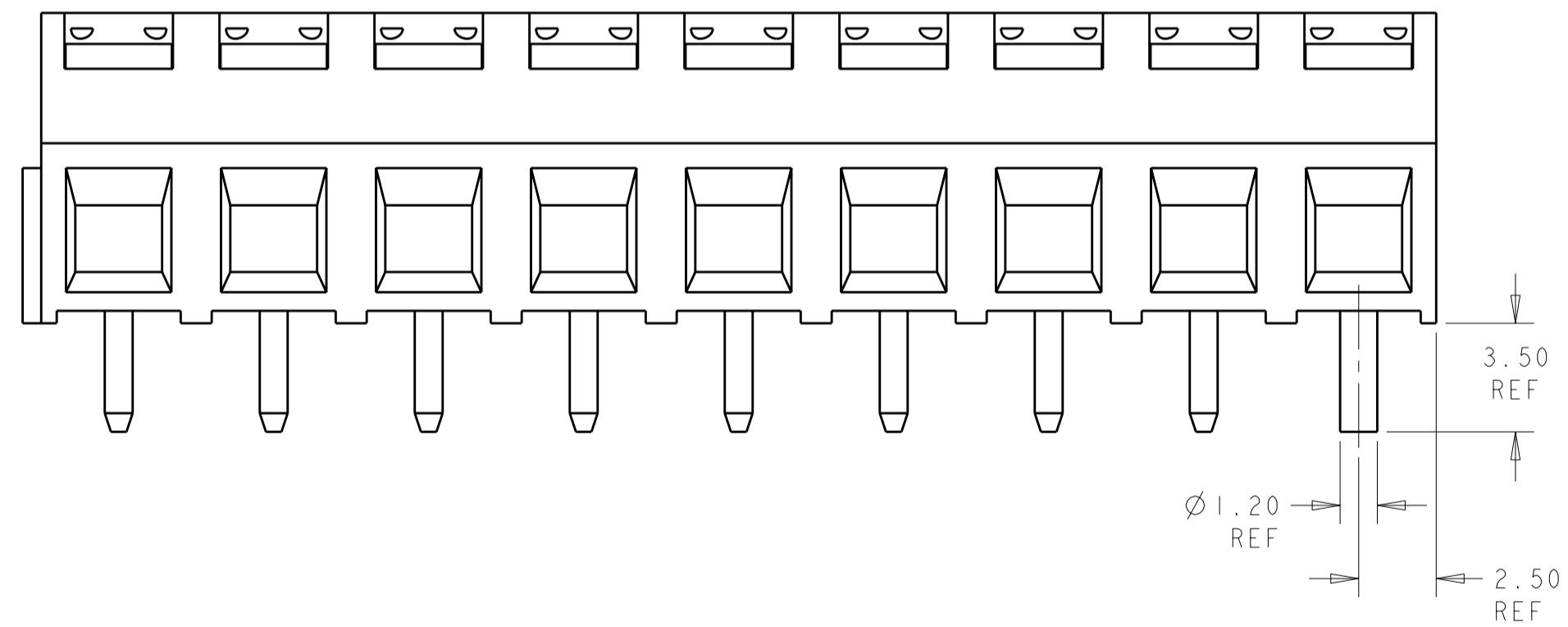


1-282836-3 AS SHOWN

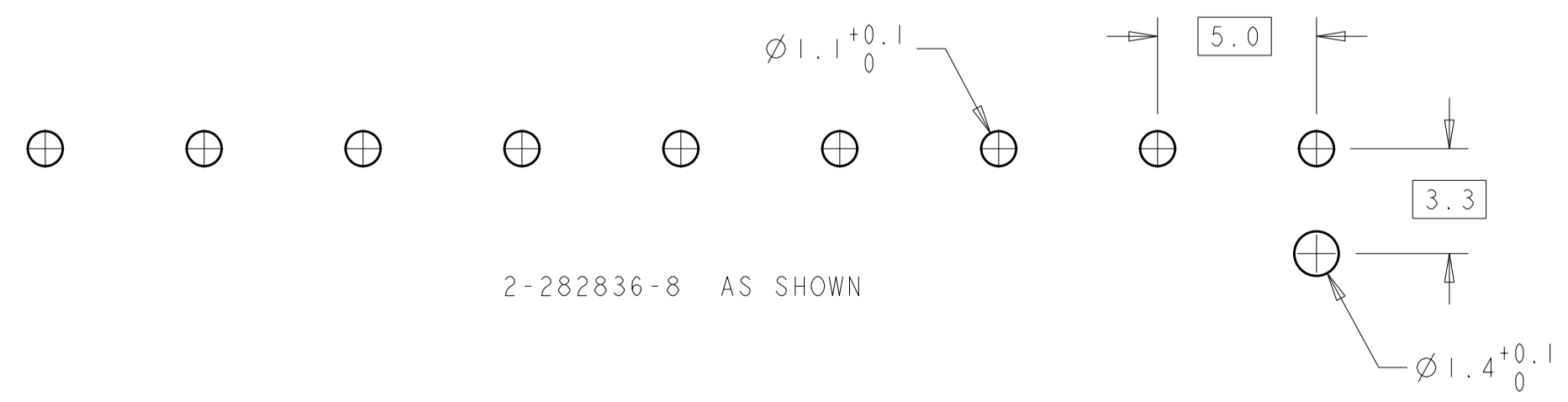


2-282836-7 AS SHOWN

- 1. MATERIAL AND FINISH
 HOUSING: PA 6-6, U; 94V-0 RATED, COLOR: GREEN.
 CLAMP: BRASS, NICKEL PLATED.
 TERMINAL: BRASS, TIN PLATED.
 CLAMPING SCREW: M3, BRASS, NICKEL PLATED.
- 2. SUITABLE FOR 1.6-2.4mm PC BOARD THICKNESS.
- 3. END-TO-END STACKABLE W/INTERLOCK WITHOUT LOSS OF CENTERLINE SPACING.
- 4. WIRE SIZE RANGE: 16-30 AWG
- 5. RECOGNIZED UNDER THE COMPONENT PROGRAM OF UNDERWRITERS LABORATORIES INC. FILE No E60677.
- 6. IMQ CERTIFICATE WITH SURVEILLANCE IN CONFORMITY WITH IEC 998-1/998-1-1.
- 7. NOT CUMULATIVE TOLERANCE.
- 8. INK MARKING, WHITE COLOR, UNLESS OTHERWISE SPECIFIED. NUMERICAL SEQUENCE FROM LEFT TO RIGHT, UNLESS OTHERWISE SPECIFIED.



3-282836-5 AS SHOWN



2-282836-8 AS SHOWN

<small>THIS DRAWING IS A CONTROLLED DOCUMENT FOR TYCO ELECTRONICS CORPORATION. IT IS SUBJECT TO CHANGE AND THE CONTROLLING ENGINEERING ORGANIZATION SHOULD BE CONTACTED FOR THE LATEST REVISION.</small>		DWN S. WELDON 28SEP2007 CHK C. RICHARD 28SEP2007 APVD C. RICHARD 28SEP2007	Tyco Electronics Harrisburg, PA 17105-3608
DIMENSIONS: mm	TOLERANCES UNLESS OTHERWISE SPECIFIED: 0 PLC ± 1 PLC ±0.2 2 PLC ±0.15 3 PLC ±0.000 4 PLC ±0.000 ANGLES FINISH	PRODUCT SPEC APPLICATION SPEC	NAME TERMINAL BLOCK, PCB MOUNT, SIDE WIRE ENTRY, STACKING WITH INTERLOCK, 5.00mm PITCH
MATERIAL		WEIGHT	SIZE A200779 CAGE CODE C-282836 DRAWING NO.
CUSTOMER DRAWING		SCALE 5:1	RESTRICTED TO SHEET 2 OF 2 REV. H9