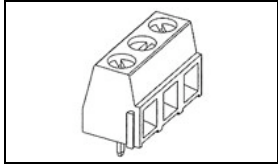


282836-2 Product Details



282836-2

TE Internal Number: 282836-2



Active

Terminal Block Connectors

 Always EU RoHS/ELV Compliant (Statement of Compliance)

Product Highlights:

- Connector
- Type of Connector = Wire Receptacle
- Housing Color = Green
- Side Stackable
- Without Screw Flange

Documentation & Additional Information

Product Drawings:

- [TERMINAL BLOCK, PCB MOUNT, SIDE WIRE ENTRY, STACKING...](#) (PDF, English)

Catalog Pages/Data Sheets:

- [1-1773458-1_EURO_STYLE_TERMINAL_BLOCKS_QRG](#) (PDF, English)
- [BUCHANAN TERMINAL BLOCKS CATALOG - EUROSTYLE TERMINA...](#) (PDF, English)
- [Eurostyle Terminal Blocks Focus Product Stock List](#) (PDF, English)

Product Specifications:

- None Available

Application Specifications:

- [Terminal Block Stacking Connectors](#) (PDF, English)

Instruction Sheets:

- None Available

CAD Files: (CAD Format & Compression Information)

- [2D Drawing](#) (DXF, Version H)
- [3D Model](#) (IGES, Version H)
- [3D Model](#) (STEP, Version H)

Additional Information:

- [Product Line Information](#)

Related Products:

- [Tooling](#)

Product Features (Please use the Product Drawing for all design activity)

Product Type Features:

- [Product Type](#) = Connector
- [Type of Connector](#) = Wire Receptacle
- [Mount Angle](#) = Vertical
- [Screw Size](#) = M3

Electrical Characteristics:

- [Amperes \(A\)](#) = 13.5
- [Voltage \(VAC\)](#) = 300

Dimensions:

- [PCB Tail Length \(mm \[in\]\)](#) = 3.50 [0.138]

Body Features:

- [Side Stackable](#) = Yes
- [Wire Entry Diameter \(Solid Wire\) \(mm²\)](#) = 0.03 - 1.50
- [Wire Entry Diameter \(Stranded Wire\) \(mm²\)](#) = 0.03 - 1.00
- [Wire Entry Angle](#) = Side
- [Closed End](#) = Without
- [Stacked Levels](#) = Without
- [Interlock](#) = With
- [Wire Range \(mm \[AWG\]\)](#) = 0.05-1.40² [30-16]
- [Screw Material](#) = Brass
- [Screw Plating](#) = Nickel

Contact Features:

- [Contact Base Material](#) = Brass
- [Contact Plating, Mating Area, Material](#) = Tin

Housing Features:

- [Housing Color](#) = Green
- [Centerline \(mm \[in\]\)](#) = 5.00 [0.197]
- [Housing Material](#) = Polyamide 6.6 GF
- [UL Flammability Rating](#) = UL 94V-0

Configuration Features:

- [Screw Flange](#) = Without
- [Number of Positions](#) = 2

Industry Standards:

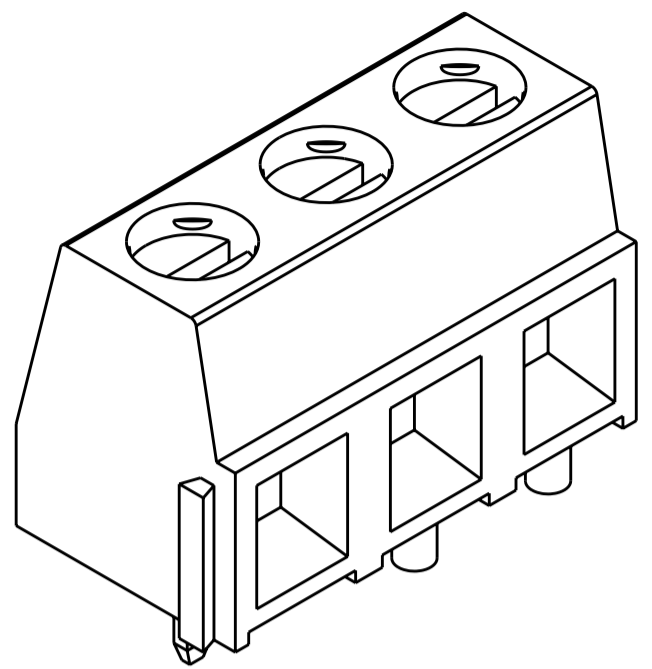
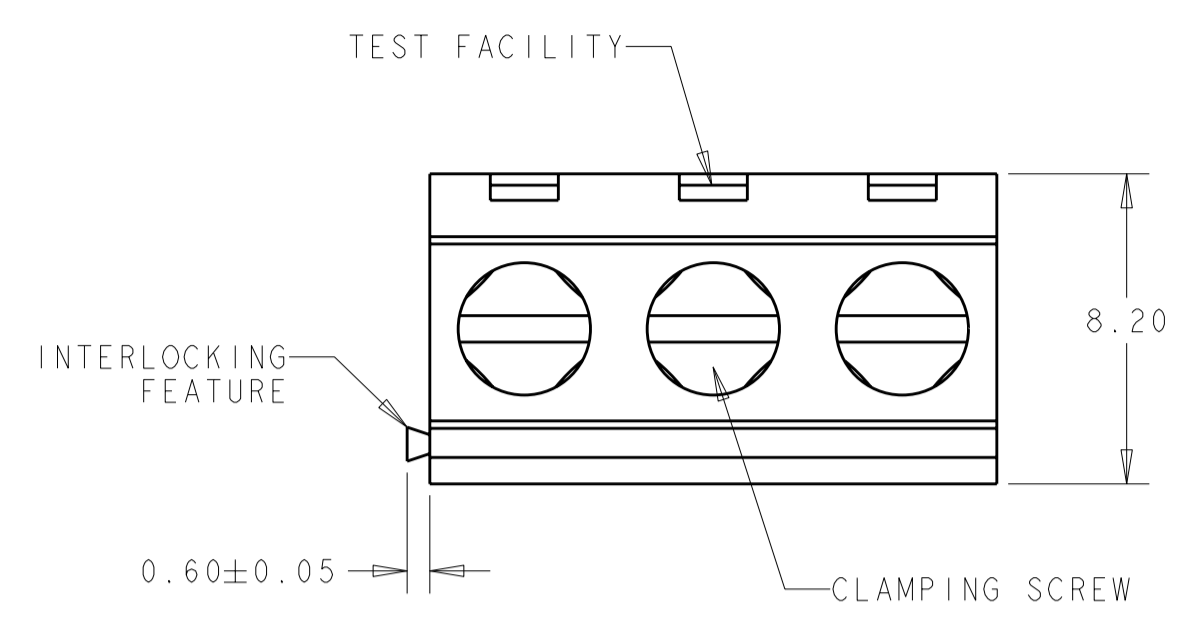
- [RoHS/ELV Compliance](#) = RoHS compliant, ELV compliant
- [Lead Free Solder Processes](#) = Wave solder capable to 240°C
- [RoHS/ELV Compliance History](#) = Always was RoHS compliant

Other:

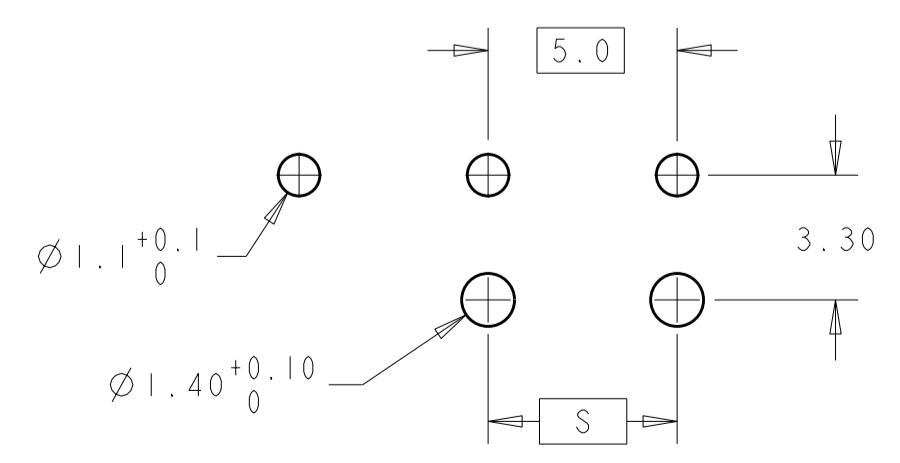
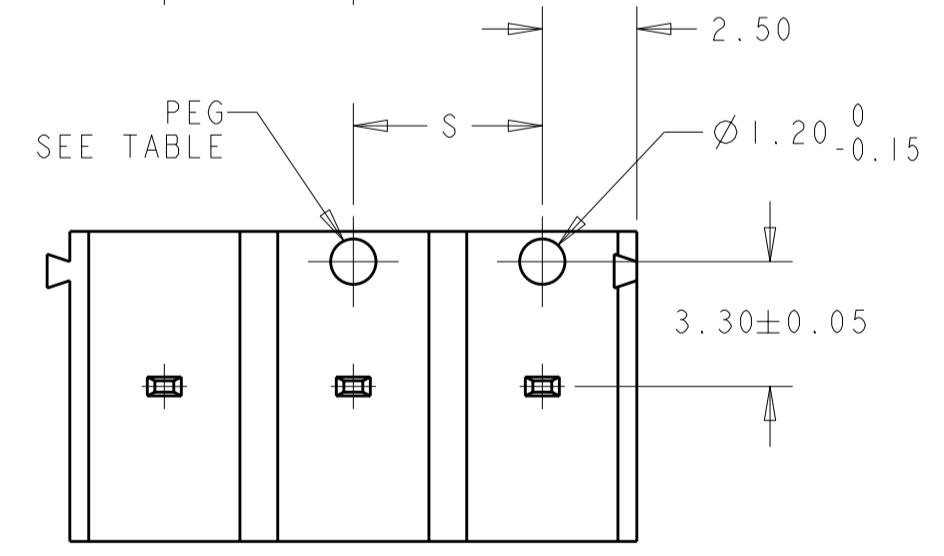
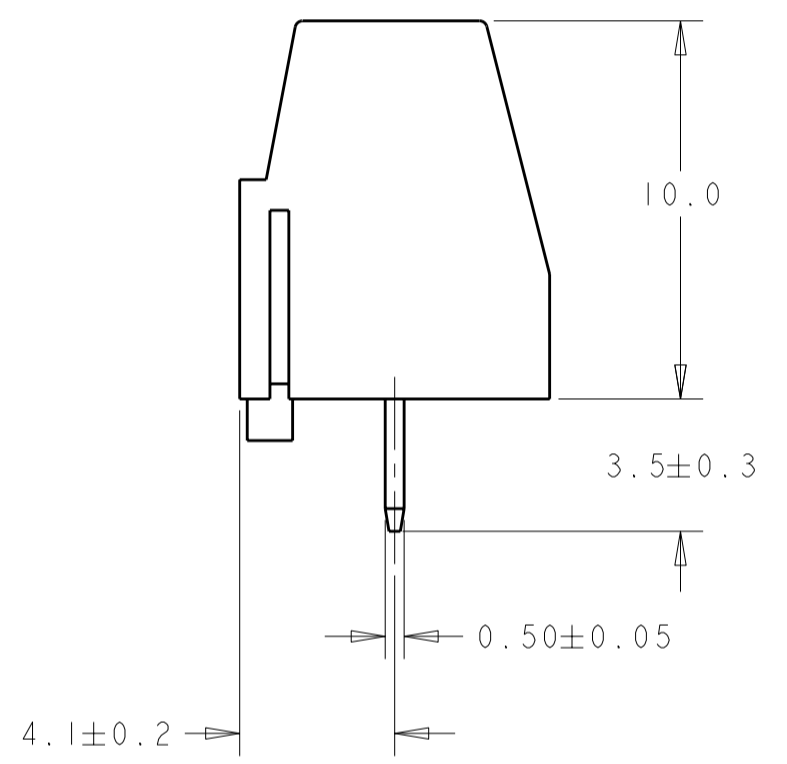
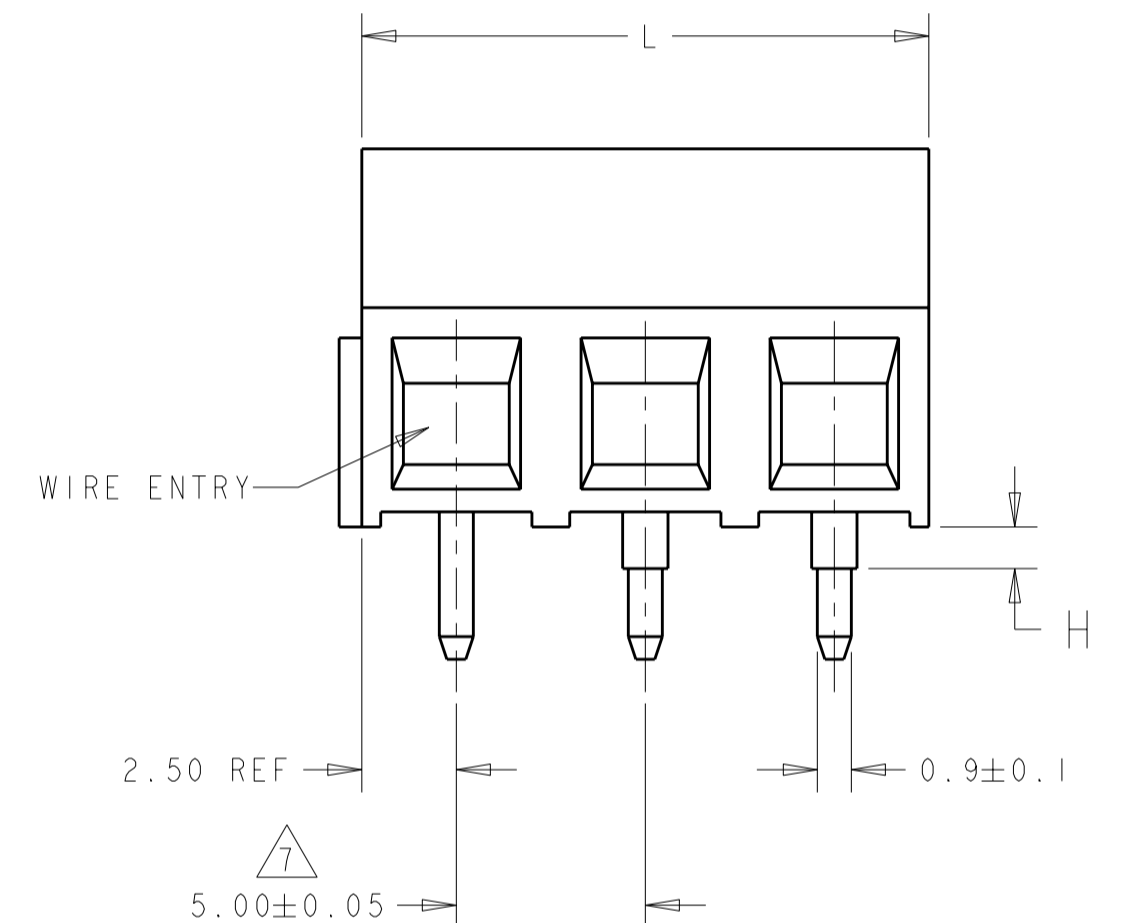
- [Brand](#) = Buchanan
- [Comment](#) = 10A Field Wiring

THIS DRAWING IS UNPUBLISHED. RELEASED FOR PUBLICATION 20
 © COPYRIGHT 20 BY TYCO ELECTRONICS CORPORATION. ALL RIGHTS RESERVED.

| LOC | | DIST | | REVISIONS | | | |
|-----|-----|---------------------------|-----------|-----------|----|--|--|
| P | LTR | DATE | DWN | APVD | | | |
| FT | 0 | | | | | | |
| | H9 | REVISED PER ECO-10-024761 | 09DEC2010 | HMR | CR | | |



SEE SHEET 2



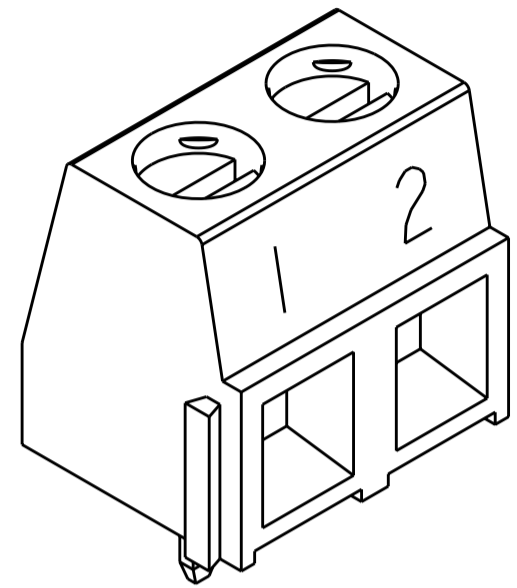
RECOMMENDED PC BOARD LAYOUT

| QTY | S | H | MARKING | L | NO OF POSN | PART NUMBER |
|-----|-----|-----|-------------|-----|------------|-------------|
| 1 | N/A | 3.5 | - | 35 | 7 | 3-282836-7 |
| 1 | N/A | 3.5 | SEE SHEET 2 | 15 | 3 | 3-282836-5 |
| 1 | N/A | 3.5 | - | 30 | 6 | 3-282836-4 |
| 1 | N/A | 3.5 | - | 25 | 5 | 3-282836-3 |
| 1 | N/A | 3.5 | - | 20 | 4 | 3-282836-2 |
| 1 | N/A | 3.5 | - | 10 | 2 | 3-282836-1 |
| 1 | N/A | 3.5 | - | 40 | 8 | 3-282836-0 |
| 1 | N/A | 3.5 | - | 45 | 9 | 2-282836-8 |
| 0 | N/A | N/A | SEE SHEET 2 | 30 | 6 | 2-282836-7 |
| 0 | N/A | N/A | - | 125 | 25 | 2-282836-6 |
| 0 | N/A | N/A | - | 120 | 24 | 2-282836-5 |
| 0 | N/A | N/A | - | 115 | 23 | 2-282836-4 |
| 0 | N/A | N/A | - | 110 | 22 | 2-282836-3 |
| 0 | N/A | N/A | - | 105 | 21 | 2-282836-2 |
| 0 | N/A | N/A | - | 100 | 20 | 2-282836-1 |
| 0 | N/A | N/A | - | 95 | 19 | 2-282836-0 |
| 0 | N/A | N/A | - | 90 | 18 | 1-282836-9 |
| 0 | N/A | N/A | - | 85 | 17 | 1-282836-8 |
| 0 | N/A | N/A | - | 80 | 16 | 1-282836-7 |
| 0 | N/A | N/A | - | 75 | 15 | 1-282836-6 |
| 0 | N/A | N/A | - | 70 | 14 | 1-282836-5 |
| 0 | N/A | N/A | - | 65 | 13 | 1-282836-4 |
| 0 | N/A | N/A | SEE SHEET 2 | 10 | 2 | 1-282836-3 |
| 0 | N/A | N/A | - | 60 | 12 | 1-282836-2 |
| 0 | N/A | N/A | - | 55 | 11 | 1-282836-1 |
| 0 | N/A | N/A | - | 50 | 10 | 1-282836-0 |
| 0 | N/A | N/A | - | 45 | 9 | 282836-9 |
| 0 | N/A | N/A | - | 40 | 8 | 282836-8 |
| 0 | N/A | N/A | - | 35 | 7 | 282836-7 |
| 0 | N/A | N/A | - | 30 | 6 | 282836-6 |
| 0 | N/A | N/A | - | 25 | 5 | 282836-5 |
| 0 | N/A | N/A | - | 20 | 4 | 282836-4 |
| 0 | N/A | N/A | - | 15 | 3 | 282836-3 |
| 0 | N/A | N/A | - | 10 | 2 | 282836-2 |
| 2 | 5.0 | 1.1 | - | 10 | 2 | 282836-1 |

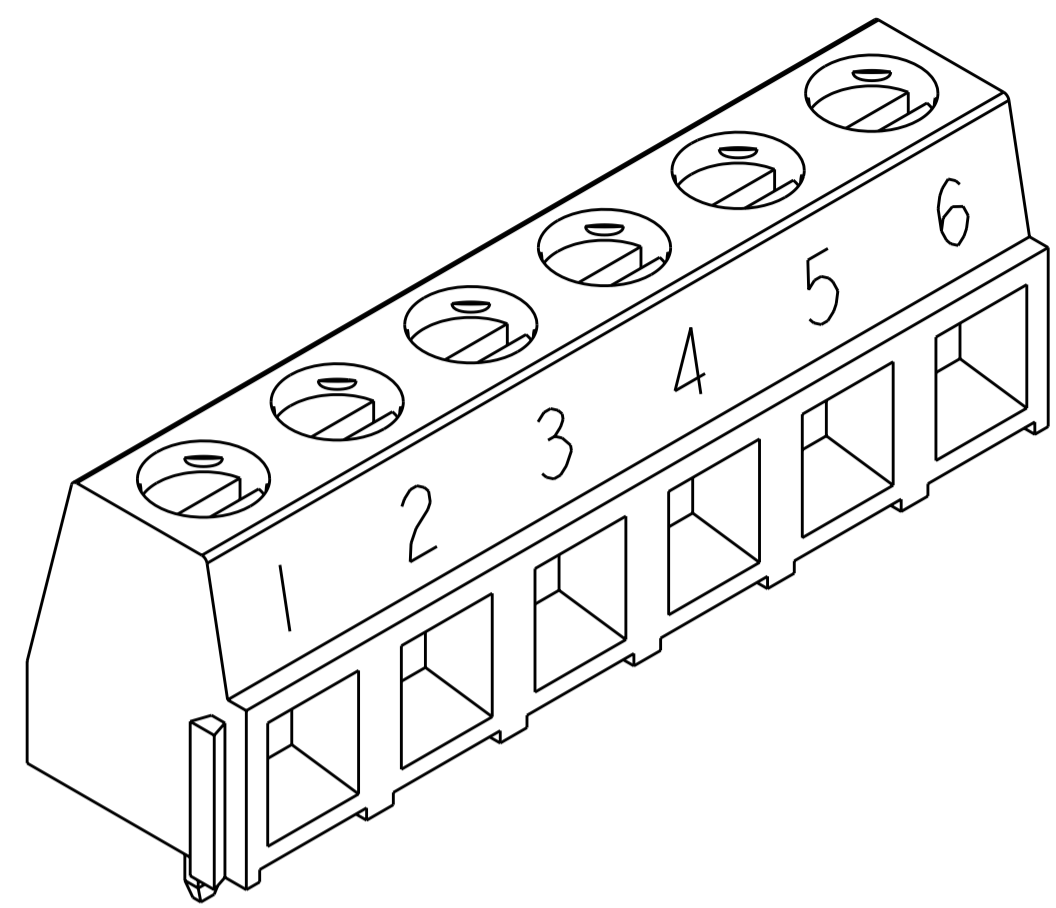
| | | | |
|--|---|--|---|
| THIS DRAWING IS A CONTROLLED DOCUMENT FOR TYCO ELECTRONICS CORPORATION IT IS SUBJECT TO CHANGE AND THE CONTROLLING ENGINEERING ORGANIZATION SHOULD BE CONTACTED FOR THE LATEST REVISION. | | DWN S. WELDON 28SEP2007 CHK C. RICHARD 28SEP2007 APVD C. RICHARD 28SEP2007 | Tyco Electronics Harrisburg, PA 17105-3608 |
| DIMENSIONS: mm | TOLERANCES UNLESS OTHERWISE SPECIFIED: 0 PLC ± 1 PLC ±0.2 2 PLC ±0.15 3 PLC ±0.000 4 PLC ±0.0000 ANGLES ±2° FINISH | PRODUCT SPEC APPLICATION SPEC WEIGHT | NAME TERMINAL BLOCK, PCB MOUNT, SIDE WIRE ENTRY, STACKING WITH INTERLOCK, 5.00mm PITCH |
| MATERIAL | FINISH | CUSTOMER DRAWING | SIZE A2 CAGE CODE 00779 DRAWING NO C-282836 RESTRICTED TO |
| SCALE 4:1 | | SHEET 1 OF 2 | REV. H9 |

THIS DRAWING IS UNPUBLISHED. RELEASED FOR PUBLICATION 20
 © COPYRIGHT 20 BY TYCO ELECTRONICS CORPORATION. ALL RIGHTS RESERVED.

| LOC | DIST | REVISIONS | | | |
|-----|------|-------------|-------------|-----|------|
| P | LTR | DESCRIPTION | DATE | DWN | APVD |
| FT | 0 | - | SEE SHEET 1 | - | - |

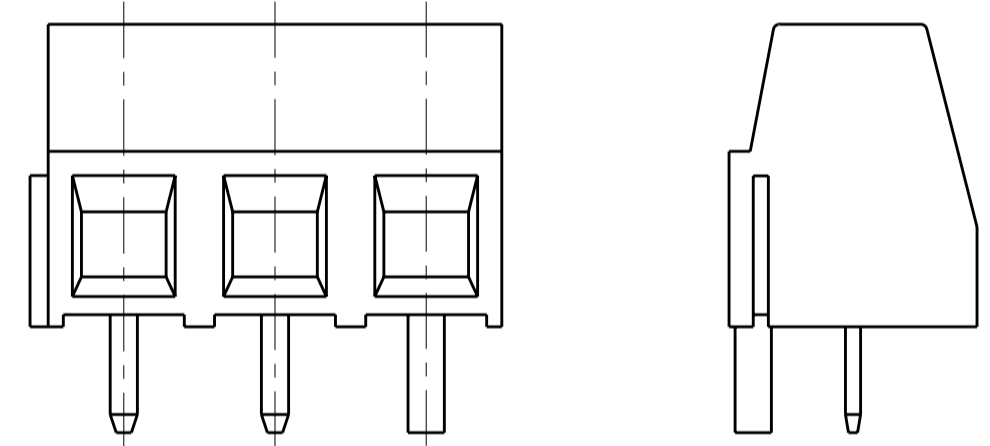
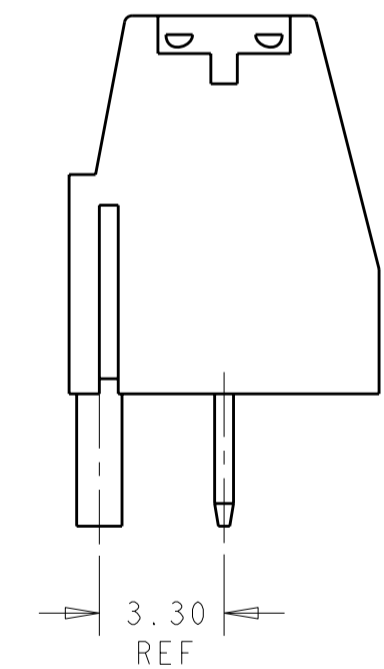
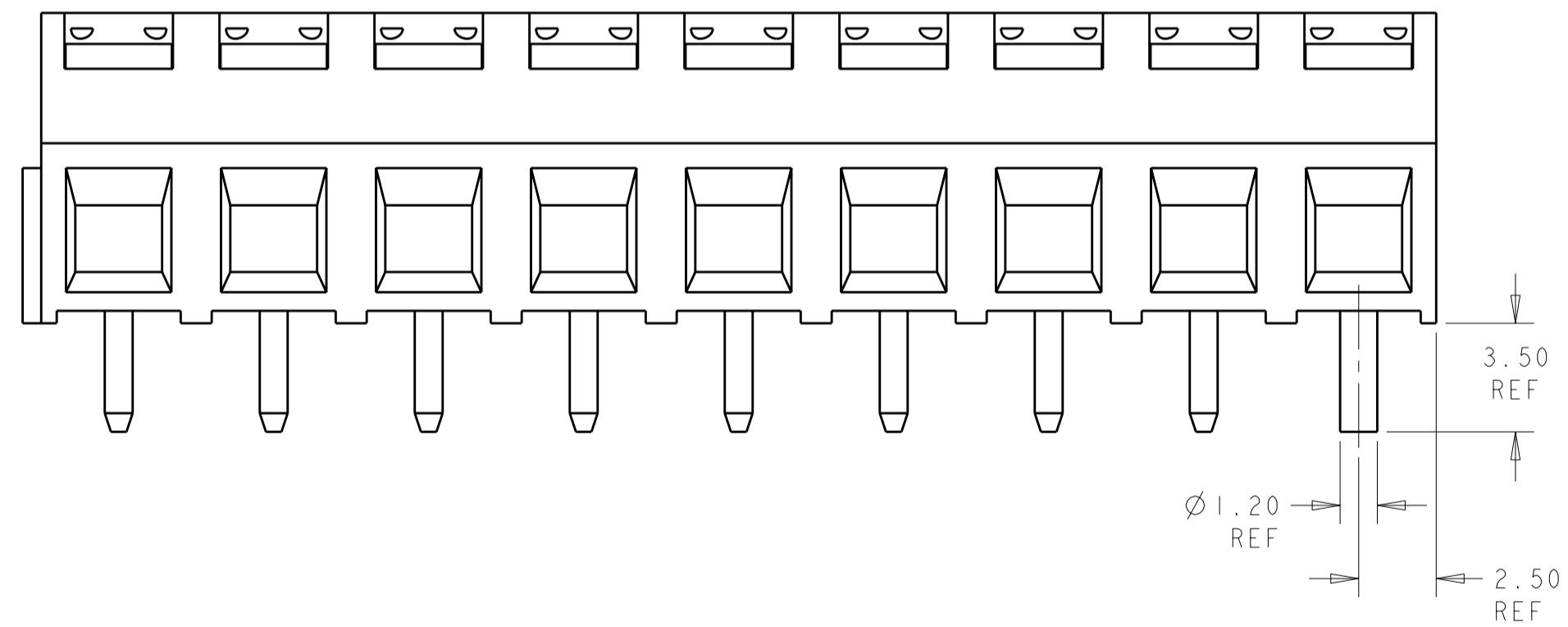


1-282836-3 AS SHOWN

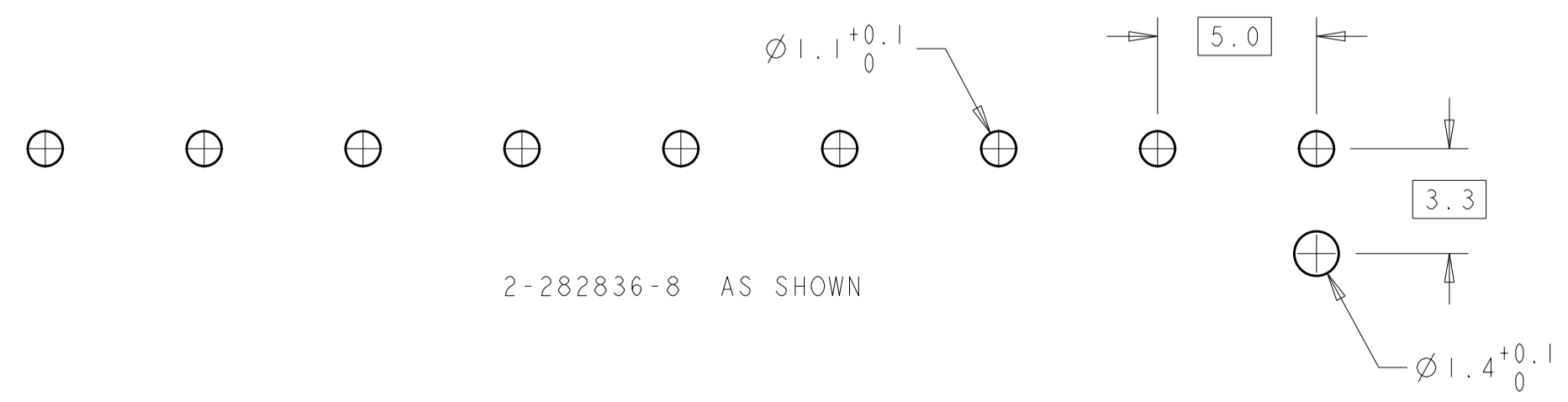


2-282836-7 AS SHOWN

- 1. MATERIAL AND FINISH
 HOUSING: PA 6-6, U; 94V-0 RATED, COLOR: GREEN.
 CLAMP: BRASS, NICKEL PLATED.
 TERMINAL: BRASS, TIN PLATED.
 CLAMPING SCREW: M3, BRASS, NICKEL PLATED.
- 2. SUITABLE FOR 1.6-2.4mm PC BOARD THICKNESS.
- 3. END-TO-END STACKABLE W/INTERLOCK WITHOUT LOSS OF CENTERLINE SPACING.
- 4. WIRE SIZE RANGE: 16-30 AWG
- 5. RECOGNIZED UNDER THE COMPONENT PROGRAM OF UNDERWRITERS LABORATORIES INC. FILE No E60677.
- 6. IMQ CERTIFICATE WITH SURVEILLANCE IN CONFORMITY WITH IEC 998-1/998-1-1.
- 7. NOT CUMULATIVE TOLERANCE.
- 8. INK MARKING, WHITE COLOR, UNLESS OTHERWISE SPECIFIED. NUMERICAL SEQUENCE FROM LEFT TO RIGHT, UNLESS OTHERWISE SPECIFIED.



3-282836-5 AS SHOWN



2-282836-8 AS SHOWN

| | | | |
|--|--|--|---|
| <small>THIS DRAWING IS A CONTROLLED DOCUMENT FOR TYCO ELECTRONICS CORPORATION. IT IS SUBJECT TO CHANGE AND THE CONTROLLING ENGINEERING ORGANIZATION SHOULD BE CONTACTED FOR THE LATEST REVISION.</small> | | DWN S. WELDON 28SEP2007 CHK C. RICHARD 28SEP2007 APVD C. RICHARD 28SEP2007 | Tyco Electronics Harrisburg, PA 17105-3608 |
| DIMENSIONS: mm | TOLERANCES UNLESS OTHERWISE SPECIFIED: 0 PLC ± 1 PLC ±0.2 2 PLC ±0.15 3 PLC ±0.000 4 PLC ±0.000 ANGLES FINISH | PRODUCT SPEC APPLICATION SPEC | NAME TERMINAL BLOCK, PCB MOUNT, SIDE WIRE ENTRY, STACKING WITH INTERLOCK, 5.00mm PITCH |
| MATERIAL | | WEIGHT | SIZE CAGE CODE DRAWING NO RESTRICTED TO |
| | | | A200779C-282836 - |
| CUSTOMER DRAWING | | SCALE 5:1 | SHEET 2 OF 2 REV. H9 |