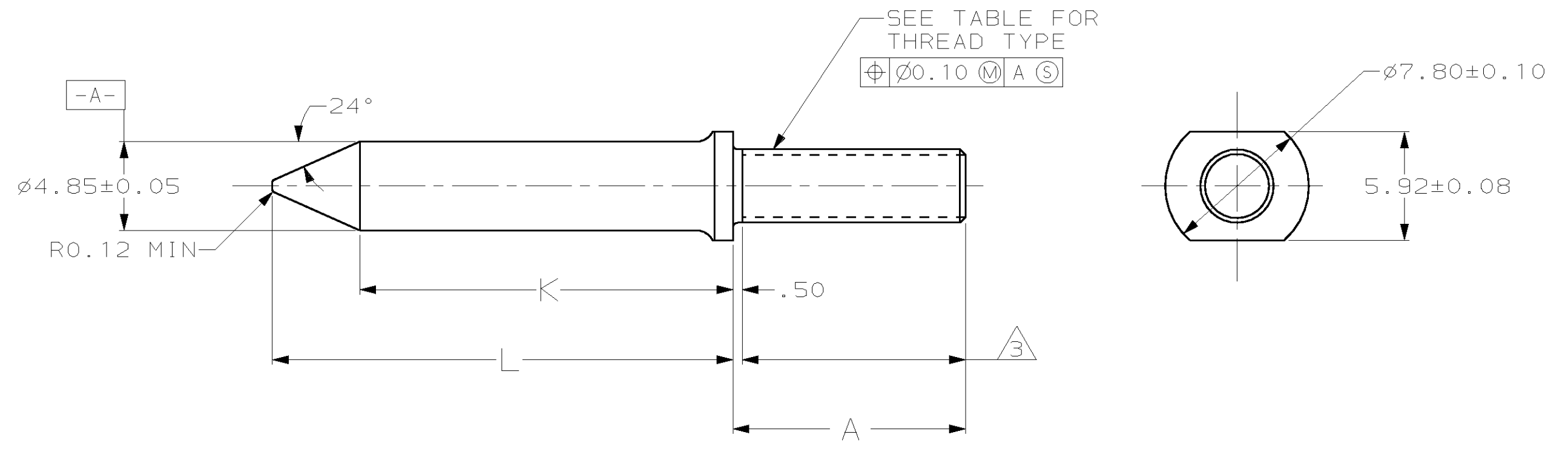


THIS DRAWING IS UNPUBLISHED. RELEASED FOR PUBLICATION ,19 .
 © COPYRIGHT 19 BY AMP INCORPORATED. ALL RIGHTS RESERVED.

LOC	DIST	REVISIONS			
P	LTR	DESCRIPTION	DATE	DWN	APVD
AD	47	F	REVISE PER ECN OU1B-0384-00	12FEB01	SU RAP
		G	ADDED -10 PER EC 0512-0010-02	05 FEB 02	BC RP

- ① MATERIAL: STAINLESS STEEL.
- ② FINISH: PASSIVATE.
- ③ LOCTITE DRI-LOC 204 APPLIED IN THIS AREA.
- ④ RECOMMENDED P.C. BOARD DRILLED HOLE IS "B" DIAMETER.



31.25	26.48	4.25±0.08	12.7	8-32 UNC 2A	1-223969-0
25.16	20.39	4.10±0.08	9.2	M4 X 7-6G	223969-7
25.16	20.39	4.25±0.08	12.7	8-32 UNC 2A	223969-4
25.16	20.39	4.10±0.08	12.7	M4 X 7-6G	223969-1
L	K	④ "B" DIA	A	THREAD TYPE	PART NUMBER

THIS DRAWING IS A CONTROLLED DOCUMENT.		DWN J. LOCONDRO 27MAR97	AMP Incorporated Harrisburg, PA 17105-3608		
DIMENSIONS: mm		CHK R.W. ELICKER 27MAR97	AMP		
TOLERANCES UNLESS OTHERWISE SPECIFIED:		APVD D. SINISI 27MAR97	NAME		
0 PLC ±-		PRODUCT SPEC	GUIDE PIN, UNIVERSAL POWER MODULE		
1 PLC ±-		APPLICATION SPEC	SIZE	CAGE CODE	DRAWING NO
2 PLC ±0.13		WEIGHT	A3	00779	C- 223969
3 PLC ±-		CUSTOMER DRAWING	SCALE	SHEET	REV
4 PLC ±-			4:1	1 OF 1	G
ANGLES ±0°30'					
MATERIAL ①	FINISH ②③				