

## 223969-4 Product Details



**223969-4**

TE Internal Number: 223969-4



### Universal Power Modules

 Always EU RoHS/ELV Compliant (Statement of Compliance)

#### Product Highlights:

- Accessory
- Accessory Type = Guide Pin
- Not Keyed
- Thread Length = 12.70 mm
- Thread Size = 8-32 UNC-2A

### Documentation & Additional Information

#### Product Drawings:

- [GUIDE PIN, UNIVERSAL POWER MODULE](#) (PDF, English)

#### Catalog Pages/Data Sheets:

- [High Speed Backplane Connectors catalog - Z-PACK HM-...](#) (PDF, English)
- [High Speed Backplane Connectors catalog - Z-PACK HS3...](#) (PDF, English)
- [POWER\\_CONNECTORS\\_CATALOG\\_SEC01\\_BOARD\\_TO\\_BOARD](#) (PDF, English)
- [2\\_PIECE\\_POWER\\_CONNECTORS\\_qrg\\_4-1773458-1](#) (PDF, English)

#### Product Specifications:

- None Available

#### Application Specifications:

- [Universal Power Module \(UPM\) Connectors](#) (PDF, English)

#### Instruction Sheets:

- None Available

#### CAD Files: (CAD Format & Compression Information)

- [2D Drawing](#) (DXF, Version G)
- [3D Model](#) (IGES, Version G)
- [3D Model](#) (STEP, Version G)

#### Additional Information:

- [Product Line Information](#)

#### Related Products:

- [Tooling](#)

### Product Features (Please use the Product Drawing for all design activity)

#### Product Type Features:

- [Product Type](#) = Accessory
- [Accessory Type](#) = Guide Pin
- [Keyed](#) = No
- [Thread Size](#) = 8-32 UNC-2A

#### Dimensions:

- [Guide Length \(mm \[in\]\)](#) = 25.16 [0.990]

#### Body Features:

- [Thread Length \(mm \[in\]\)](#) = 12.70 [0.500]
- [Guide Pin Material](#) = Passivated Stainless Steel

#### Industry Standards:

- [RoHS/ELV Compliance](#) = RoHS compliant, ELV compliant
- [Lead Free Solder Processes](#) = Not relevant for lead free process
- [RoHS/ELV Compliance History](#) = Always was RoHS compliant

#### Other:

- [Brand](#) = AMP
- [Comment](#) = With 5.92 mm [.233 in.] Oblong Base.

THIS DRAWING IS UNPUBLISHED.

RELEASED FOR PUBLICATION

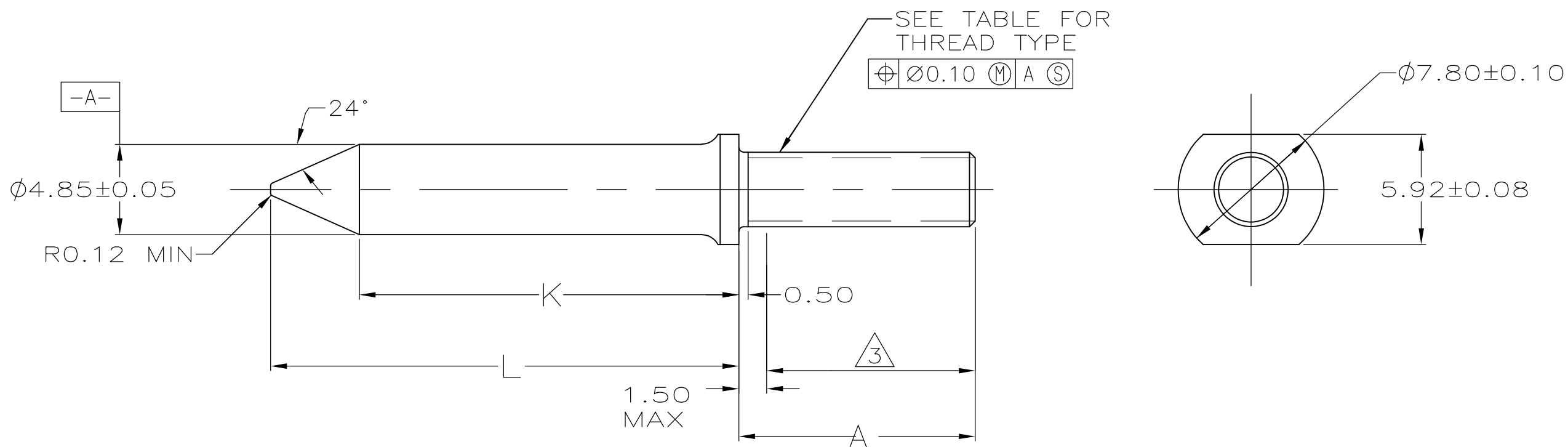
-. -. .

© COPYRIGHT - By -


ALL RIGHTS RESERVED.

LOC	DIST	REVISIONS					
AD	47	P	LTR	DESCRIPTION	DATE	DWN	APVD
			G2	REVISED PER ECR-13-007580	07MAY13	ML	SZ

- ① MATERIAL: STAINLESS STEEL.
- ② FINISH: PASSIVATE.
- ③ LOCTITE DRI-LOC 204 APPLIED IN THIS AREA.
- ④ RECOMMENDED P.C. BOARD DRILLED HOLE IS "B" DIAMETER.



31.25	26.48	4.25±0.08	12.7	8-32 UNC 2A	1-223969-0
25.16	20.39	4.10±0.08	9.2	M4 X 7-6G	223969-7
25.16	20.39	4.25±0.08	12.7	8-32 UNC 2A	223969-4
25.16	20.39	4.10±0.08	12.7	M4 X 7-6G	223969-1
L	K	④ "B" DIA	A	THREAD TYPE	PART NUMBER

THIS DRAWING IS A CONTROLLED DOCUMENT.		DWN J.LOCONDRO 27MAR97	 <b>TE Connectivity</b>														
DIMENSIONS: mm		CHK R.W.ELICKER 27MAR97				NAME											
TOLERANCES UNLESS OTHERWISE SPECIFIED:		APVD D.SINISI 27MAR97				GUIDE PIN, UNIVERSAL POWER MODULE											
<table border="0"> <tr><td>0 PLC</td><td>± -</td></tr> <tr><td>1 PLC</td><td>± -</td></tr> <tr><td>2 PLC</td><td>± 0.13</td></tr> <tr><td>3 PLC</td><td>± -</td></tr> <tr><td>4 PLC</td><td>± -</td></tr> <tr><td>ANGLES</td><td>± 0° 30'</td></tr> </table>		0 PLC				± -	1 PLC	± -	2 PLC	± 0.13	3 PLC	± -	4 PLC	± -	ANGLES	± 0° 30'	PRODUCT SPEC -
0 PLC	± -																
1 PLC	± -																
2 PLC	± 0.13																
3 PLC	± -																
4 PLC	± -																
ANGLES	± 0° 30'																
MATERIAL ①	FINISH ② ③	APPLICATION SPEC -	SIZE A3	CAGE CODE 00779	DRAWING NO C-223969												
CUSTOMER DRAWING			SCALE 4:1	SHEET 1 OF 1	REV G2												