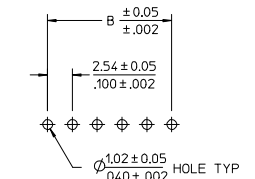
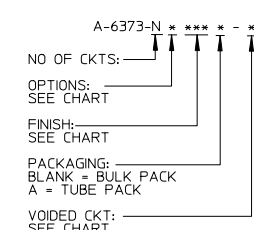
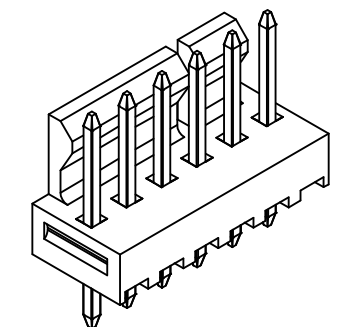
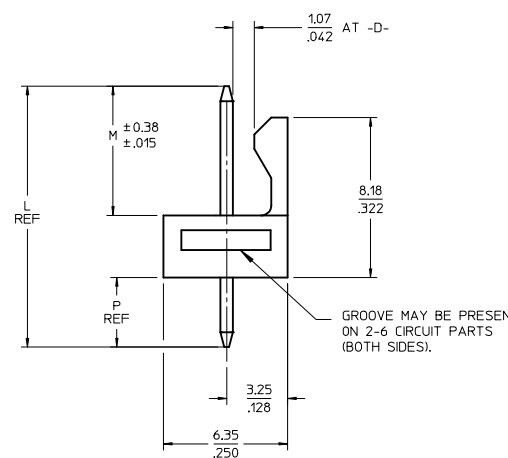
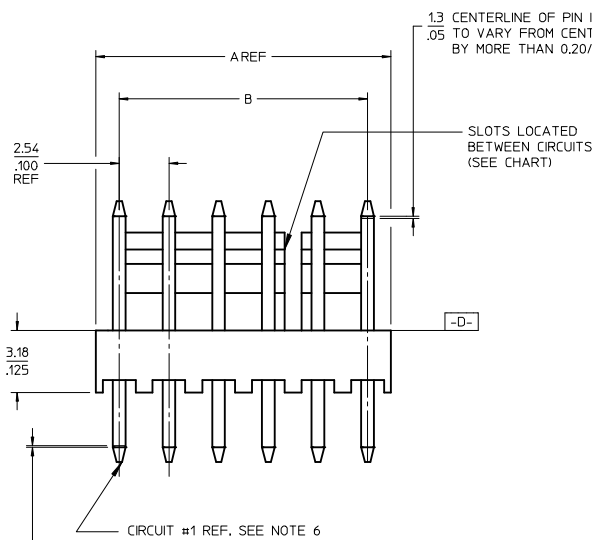


| CKT | A | B | SLOTS LOCATION |
|-----|----------------|---------------------------|----------------|
| 02 | 5.08 .200 | 2.54±0.05 .100 ±.002 | NONE |
| 03 | 7.62 .300 | 5.08±0.10 .200 ±.004 | NONE |
| 04 | 10.16 .400 | 7.62±0.13 .300 ±.005 | NONE |
| 05 | 12.70 .500 | 10.16±0.13 .400 ±.005 | NONE |
| 06 | 15.24 .600 | 12.70±0.13 .500 ±.005 | 4, 5 |
| 07 | 17.78 .700 | 15.24±0.13 .600 ±.005 | 4, 5 |
| 08 | 20.32 .800 | 17.78±0.15 .700 ±.006 | 4, 5 |
| 09 | 22.86 .900 | 20.32±0.15 .800 ±.006 | 4, 5 |
| 10 | 25.40 1.000 | 22.86±0.15 .900 ±.006 | 4, 5 |
| 11 | 27.94 1.100 | 25.40±0.18 1.000 ±.007 | 4, 5 8, 9 |
| 12 | 30.48 1.200 | 27.94±0.18 1.100 ±.007 | 4, 5 8, 9 |
| 13 | 33.02 1.300 | 30.48±0.18 1.200 ±.007 | 4, 5 8, 9 |
| 14 | 35.56 1.400 | 33.02±0.18 1.300 ±.007 | 4, 5 8, 9 |
| 15 | 38.10 1.500 | 35.56±0.20 1.400 ±.008 | 4, 5 12, 13 |
| 16 | 40.64 1.600 | 38.10±0.20 1.500 ±.008 | 4, 5 12, 13 |
| 17 | 43.18 1.700 | 40.64±0.20 1.600 ±.008 | 4, 5 12, 13 |
| 18 | 45.72 1.800 | 43.18±0.20 1.700 ±.008 | 4, 5 12, 13 |
| 19 | 48.26 1.900 | 45.72±0.23 1.800 ±.009 | 4, 5 16, 17 |
| 20 | 50.80 2.000 | 48.26±0.23 1.900 ±.009 | 4, 5 16, 17 |
| 21 | 53.34 2.100 | 50.80±0.23 2.000 ±.009 | 4, 5 16, 17 |
| 22 | 55.88 2.200 | 53.34±0.23 2.100 ±.009 | 4, 5 16, 17 |
| 23 | 58.42 2.300 | 55.88±0.23 2.200 ±.009 | 4, 5 20, 21 |
| 24 | 60.96 2.400 | 58.42±0.25 2.300 ±.010 | 4, 5 20, 21 |
| 25 | 63.50 2.500 | 60.96±0.25 2.400 ±.010 | 4, 5 20, 21 |
| 26 | 66.04 2.600 | 63.50±0.25 2.500 ±.010 | 4, 5 20, 21 |
| 27 | 68.58 2.700 | 66.04±0.25 2.600 ±.010 | 4, 5 24, 25 |
| 28 | 71.12 2.800 | 68.58±0.25 2.700 ±.010 | 4, 5 24, 25 |



PCB LAYOUT: COMPONENT SIDE
TYPICAL PCB THICKNESS: 1.57/.062

- NOTES:
- MATERIAL: NYLON, UL 94V-0, COLOR - WHITE.
 - FINISH: (102) = OVERALL TIN: 0.00508/.000200 MIN OVER 0.00254/.000100 MIN COPPER. (122) = OVERALL TIN: 0.00381/.000150 MIN OVER 0.00076/.000030 MIN NICKEL. (501) = OVERALL GOLD: 0.00051/.000020 MIN OVER 0.00076/.000030 MIN NICKEL. (503) = OVERALL GOLD: 0.00076/.000030 MIN OVER 0.00127/.000050 MIN NICKEL. (509) = OVERALL GOLD: 0.00127/.000050 MIN OVER 0.00076/.000030 MIN NICKEL. (516) = OVERALL GOLD: 0.00025/.000010 MIN OVER 0.00076/.000030 MIN NICKEL.
 - PRODUCT SPECIFICATION AND PROCESS PARAMETERS: PS-10-07.
 - PACKAGING INFORMATION: SEE LEGEND.
 - PARTS ARE STACKABLE END TO END ON 2.54/.100 CENTERS.
 - CIRCUIT ONE DESIGNATION IS USED TO DEFINE VOID LOCATION, CIRCUIT ONE MAY OR MAY NOT LINE UP WITH CIRCUIT ONE ON THE MATING HOUSING.
 - PIN PUSHOUT FORCE: 2 LBS MIN.
 - FOR PIN DIMENSIONS, SEE APPLICABLE DRAWING.
 - THIS PART CONFORMS TO CLASS B REQUIREMENTS OF COSMETIC SPECIFICATION PS-45499-002.

| | |
|-----|-----|
| 2-x | BA9 |
| 1 | BC |
| SHT | REV |

| | | | | | | |
|--|--|---|--|---|---|--|
| ADD GROOVE EC NO: UCP2009-0785 DRW:HKIPPER 2008/12/29 CHKD:SSOUSEK 2009/01/30 APPR:FSMITH 2009/01/30 DESCRIPTION REV | QUALITY SYMBOLS ▽=0 ▽=0 | GENERAL TOLERANCES (UNLESS SPECIFIED) 4 PLACES ± --- ± --- 3 PLACES ± --- ± .010 2 PLACES ± 0.25 ± .015 1 PLACE ± 0.38 ± --- ANGULAR ±1/2° | DIMENSION STYLE MM/IN DRAWN BY DATE SAMIEC 2004/03/31 CHECKED BY DATE SAMIEC 2004/03/31 APPROVED BY DATE MARGULIS 2004/03/31 MATERIAL NO. SEE CHART | SCALE 4:1 DESIGN UNITS INCH THIRD ANGLE PROJECTION | TITLE KK 100 HEADER ASSEMBLY FRICTION LOCK SOLID BODY MOLEX MOLEX INCORPORATED DOCUMENT NO. SD-6373-001 SHEET NO. 1 OF * | |
| | DRAFT WHERE APPLICABLE MUST REMAIN WITHIN DIMENSIONS | | SIZE B | THIS DRAWING CONTAINS INFORMATION THAT IS PROPRIETARY TO MOLEX INCORPORATED AND SHOULD NOT BE USED WITHOUT WRITTEN PERMISSION | | |
| | ADD GROOVE EC NO: UCP2009-0785 DRW:HKIPPER 2008/12/29 CHKD:SSOUSEK 2009/01/30 APPR:FSMITH 2009/01/30 DESCRIPTION REV | | | | | |
| | QUALITY SYMBOLS ▽=0 ▽=0 GENERAL TOLERANCES (UNLESS SPECIFIED) 4 PLACES ± --- ± --- 3 PLACES ± --- ± .010 2 PLACES ± 0.25 ± .015 1 PLACE ± 0.38 ± --- ANGULAR ±1/2° DIMENSION STYLE MM/IN DRAWN BY DATE SAMIEC 2004/03/31 CHECKED BY DATE SAMIEC 2004/03/31 APPROVED BY DATE MARGULIS 2004/03/31 MATERIAL NO. SEE CHART SCALE 4:1 DESIGN UNITS INCH THIRD ANGLE PROJECTION TITLE KK 100 HEADER ASSEMBLY FRICTION LOCK SOLID BODY MOLEX MOLEX INCORPORATED DOCUMENT NO. SD-6373-001 SHEET NO. 1 OF * THIS DRAWING CONTAINS INFORMATION THAT IS PROPRIETARY TO MOLEX INCORPORATED AND SHOULD NOT BE USED WITHOUT WRITTEN PERMISSION | | | | | |

| GROUP: | A-6373-NA102* | | | | | | | | | | | | | |
|---------------|------------------|---------------|-----|-----------------|------------------|------------------|-----|-----------------|------------------|-------------------|-----|-----------------|------------------|------------------------|
| PIN NUMBER: | 2766-1(102) | | | | | | | | | | | | | |
| PIN LENGTH: L | .560 / (14.22) | | | | | | | | | | | | | |
| MATING: M | .295 / (7.49) | | | | | | | | | | | | | |
| PC TAIL: P | .140 / (3.56) | | | | | | | | | | | | | |
| PACKAGING: | PK-6373-001 BULK | | | | | | | | | | | | | |
| CKT | MATERIAL NUMBER | ENG NUMBER | CKT | MATERIAL NUMBER | ENG NUMBER | VOID CKT | CKT | MATERIAL NUMBER | ENG NUMBER | VOID CKT | CKT | MATERIAL NUMBER | ENG NUMBER | VOID CKT |
| 2 | 22-23-2021 | A-6373-02A102 | 9 | 22-04-5094 | A-6373-09A102-4 | 4 | 11 | 22-04-5117 | A-6373-11A102-7 | 7 | 07 | 22-04-5076 | A-6373-07A102-2 | 2 |
| 3 | 22-23-2031 | A-6373-03A102 | 9 | 22-04-5096 | A-6373-09A102-6 | 6 | 06 | 22-04-5063 | A-6373-06A102-3 | 3 | 07 | 22-04-5077 | A-6373-07A102-6 | 6 |
| 4 | 22-23-2041 | A-6373-04A102 | 11 | 22-04-5114 | A-6373-11A102-4 | 4 | 10 | 22-04-5101 | A-6373-10A102-1 | 1 | 06 | 22-04-5069 | A-6373-06A102-54 | 4, 5 |
| 5 | 22-23-2051 | A-6373-05A102 | 11 | 22-04-5118 | A-6373-11A102-8 | 8 | 10 | 22-04-5102 | A-6373-10A102-2 | 2 | 25 | 22-04-5252 | A-6373-25A102-2 | 2 |
| 6 | 22-23-2061 | A-6373-06A102 | 08 | 22-04-5083 | A-6373-08A102-3 | 3 | 10 | 22-04-5103 | A-6373-10A102-3 | 3 | 08 | 22-04-5086 | A-6373-08A102-6 | 6 |
| 7 | 22-23-2071 | A-6373-07A102 | 08 | 22-04-5082 | A-6373-08A102-2 | 2 | 15 | 22-04-5154 | A-6373-15A102-14 | 14 | 08 | 22-04-5087 | A-6373-08A102-52 | 2,3,5,6,7 |
| 8 | 22-23-2081 | A-6373-08A102 | 10 | 22-04-5106 | A-6373-10A102-6 | 6 | 05 | 22-04-5052 | A-6373-05A102-2 | 2 | 10 | 22-04-5105 | A-6373-10A102-5 | 5 |
| 9 | 22-23-2091 | A-6373-09A102 | 04 | 22-04-5043 | A-6373-04A102-3 | 3 | 08 | 22-04-5084 | A-6373-08A102-4 | 4 | 05 | 22-04-5057 | A-6373-05A102-52 | 2, 4 |
| 10 | 22-23-2101 | A-6373-10A102 | 08 | 22-04-5081 | A-6373-08A102-51 | 2,4,6 | 06 | 22-04-5064 | A-6373-06A102-4 | 4 | 19 | 22-04-5198 | A-6373-19A102-8 | 8 |
| 11 | 22-23-2111 | A-6373-11A102 | 09 | 22-04-5093 | A-6373-09A102-3 | 3 | 03 | 22-04-5031 | A-6373-03A102-1 | 1 | 11 | 22-04-5119 | A-6373-11A102-51 | 2,4,6,8,10 |
| 12 | 22-23-2121 | A-6373-12A102 | 08 | 22-04-5085 | A-6373-08A102-5 | 5 | 05 | 22-04-5053 | A-6373-05A102-3 | 3 | 12 | 22-04-5129 | A-6373-12A102-11 | 11 |
| 13 | 22-23-2131 | A-6373-13A102 | 06 | 22-04-5065 | A-6373-06A102-5 | 5 | 11 | 22-04-5116 | A-6373-11A102-6 | 6 | 08 | 22-04-5088 | A-6373-08A102-53 | 4, 6 |
| 14 | 22-23-2141 | A-6373-14A102 | 07 | 22-04-5072 | A-6373-07A102-52 | 2,4,6 | 07 | 22-04-5074 | A-6373-07A102-4 | 4 | 04 | 22-04-5044 | A-6373-04A102-4 | 4 |
| 15 | 22-23-2151 | A-6373-15A102 | 06 | 22-04-5062 | A-6373-06A102-2 | 2 | 10 | 22-04-5079 | A-6373-10A102-52 | 2,3,5,6,8,9 | 27 | 22-04-5277 | A-6373-27A102-51 | 3,7,9,11,14,16, 21, 23 |
| 16 | 22-23-2161 | A-6373-16A102 | 07 | 22-04-5071 | A-6373-07A102-51 | 2,3,5,6 | 04 | 22-04-5049 | A-6373-04A102-51 | 2,3 | | | | |
| 17 | 22-23-2171 | A-6373-17A102 | 10 | 22-04-5100 | A-6373-10A102-10 | 10 | 04 | 22-04-5048 | A-6373-04A102-52 | 2,4 | 11 | 22-04-5115 | A-6373-11A102-52 | 5, 6 |
| 18 | 22-23-2181 | A-6373-18A102 | 10 | 22-04-5109 | A-6373-10A102-9 | 9 | 04 | 22-04-5041 | A-6373-04A102-1 | 1 | 24 | 22-23-3245 | A-6373-24A102-23 | 23 |
| 19 | 22-23-2191 | A-6373-19A102 | 10 | 22-04-5108 | A-6373-10A102-8 | 8 | 03 | 22-04-5032 | A-6373-03A102-2 | 2 | 11 | 22-23-3115 | A-6373-11A102-10 | 10 |
| 20 | 22-23-2201 | A-6373-20A102 | 05 | 22-04-5054 | A-6373-05A102-4 | 4 | 13 | 22-04-5139 | A-6373-13A102-9 | 9 | 15 | 22-23-3155 | A-6373-15A102-15 | 15 |
| 21 | 22-23-2211 | A-6373-21A102 | 03 | 22-04-5033 | A-6373-03A102-3 | 3 | 12 | 22-04-5126 | A-6373-12A102-6 | 6 | 08 | 22-04-5089 | A-6373-08A102-54 | 2, 5 |
| 22 | 22-23-2221 | A-6373-22A102 | 07 | 22-04-5075 | A-6373-07A102-5 | 5 | 13 | 22-04-5131 | A-6373-13A102-51 | 2,3,5,6,8,9,11,12 | 06 | 22-23-2069 | A-6373-06A102-55 | 2,3,4,5 |
| 23 | 22-23-2231 | A-6373-23A102 | 07 | 22-04-5073 | A-6373-07A102-3 | 3 | 06 | 22-04-5066 | A-6373-06A102-52 | 3,5 | 07 | 22-23-2079 | A-6373-07A102-53 | 2,3,4,5,6 |
| 24 | 22-23-2241 | A-6373-24A102 | 14 | 22-04-5149 | A-6373-14A102-9 | 9 | 05 | 22-04-5056 | A-6373-05A102-51 | 1,3,5 | 13 | 22-23-1137 | A-6373-13A102-53 | 3,6,10,12 |
| 25 | 22-23-2251 | A-6373-25A102 | 15 | 22-04-5152 | A-6373-15A102-2 | 2 | 06 | 22-04-5067 | A-6373-06A102-53 | 1, 5 | 10 | 22-23-1107 | A-6373-10A102-53 | 4,7 |
| 26 | 22-23-2261 | A-6373-26A102 | 11 | 50-29-1594 | A-6373-11A102-53 | 2,3,4,5,7,8,9,10 | 06 | 22-04-5068 | A-6373-06A102-6 | 6 | 18 | 22-23-1187 | A-6373-18A102-5 | 5 |
| 27 | 22-23-2271 | A-6373-27A102 | | | | | 02 | 22-04-5021 | A-6373-02A102-1 | 1 | 18 | 22-23-1188 | A-6373-18A102-7 | 7 |
| 28 | 22-23-2281 | A-6373-28A102 | 13 | 22-04-5132 | A-6373-13A102-52 | 8, 9 | 04 | 22-04-5042 | A-6373-04A102-2 | 2 | 12 | 50-29-0096 | A-6373-12A102-8 | 8 |

| | | | |
|---|--|---|--------------------------------------|
| REV: BA9 | ECR/ECN INFORMATION: | TITLE: KK 100 HEADER ASSEMBLY FRICTION LOCK SOLID BODY | SHEET No. - 2 - |
| | EC No.: UCP2007-1744 | | |
| | DATE: 1/24/2007 | | |
| DOCUMENT NUMBER: SD - 6373 - 001 | CREATED / REVISED BY: ADERR | CHECKED BY: LSCHMIDT | APPROVED BY: FSMITH |

| GROUP: | | A-6373-NC102-* | | | | |
|---------------|-----------------|------------------|------|-----------------|------------|----------|
| PIN NUMBER: | | 2766-43(102) | | | | |
| PIN LENGTH: L | | .530 / (13.46) | | | | |
| MATING: M | | .260 / (6.60) | | | | |
| PC TAIL: P | | .145 / (3.68) | | | | |
| PACKAGING: | | PK-6373-001 BULK | | | | |
| CKTS | MATERIAL NUMBER | ENG NUMBER | CKTS | MATERIAL NUMBER | ENG NUMBER | VOID CKT |
| 2 | 22-23-2023 | A-6373-02C102 | | | | |
| 3 | 22-23-2033 | A-6373-03C102 | | | | |
| 4 | 22-23-2043 | A-6373-04C102 | | | | |
| 5 | 22-23-2053 | A-6373-05C102 | | | | |
| 6 | 22-23-2063 | A-6373-06C102 | | | | |
| 7 | 22-23-2073 | A-6373-07C102 | | | | |
| 8 | 22-23-2083 | A-6373-08C102 | | | | |
| 9 | 22-23-2093 | A-6373-09C102 | | | | |
| 10 | 22-23-2103 | A-6373-10C102 | | | | |
| 11 | 22-23-2113 | A-6373-11C102 | | | | |
| 12 | 22-23-2123 | A-6373-12C102 | | | | |
| 13 | 22-23-2133 | A-6373-13C102 | | | | |
| 14 | 22-23-2143 | A-6373-14C102 | | | | |
| 15 | 22-23-2153 | A-6373-15C102 | | | | |
| 16 | 22-23-2163 | A-6373-16C102 | | | | |
| 17 | 22-23-2173 | A-6373-17C102 | | | | |
| 18 | 22-23-2183 | A-6373-18C102 | | | | |
| 19 | 22-23-2193 | A-6373-19C102 | | | | |
| 20 | 22-23-2203 | A-6373-20C102 | | | | |
| 21 | 22-23-2213 | A-6373-21C102 | | | | |
| 22 | 22-23-2223 | A-6373-22C102 | | | | |
| 23 | 22-23-2233 | A-6373-23C102 | | | | |
| 24 | 22-23-2243 | A-6373-24C102 | | | | |
| 25 | 22-23-2253 | A-6373-25C102 | | | | |
| 26 | 22-23-2263 | A-6373-26C102 | | | | |
| 27 | 22-23-2273 | A-6373-27C102 | | | | |
| 28 | 22-23-2283 | A-6373-28C102 | | | | |

| GROUP: | | A-6373-NV503-* | | | | |
|---------------|-----------------|----------------|------|-----------------|------------|----------|
| PIN NUMBER: | | 2766-43(503) | | | | |
| PIN LENGTH: L | | .530 / (13.46) | | | | |
| MATING: M | | .295 / (7.49) | | | | |
| PC TAIL: P | | .110 / (2.79) | | | | |
| PACKAGING: | | PK-6373-001 | | | | |
| CKTS | MATERIAL NUMBER | ENG NUMBER | CKTS | MATERIAL NUMBER | ENG NUMBER | VOID CKT |
| 2 | 22-15-3029 | A-6373-02V503 | | | | |
| 3 | 22-15-3039 | A-6373-03V503 | | | | |
| 4 | 22-15-3049 | A-6373-04V503 | | | | |
| 5 | 22-15-3059 | A-6373-05V503 | | | | |
| 6 | 22-15-3069 | A-6373-06V503 | | | | |
| 7 | 22-15-3079 | A-6373-07V503 | | | | |
| 8 | 22-15-3089 | A-6373-08V503 | | | | |
| 9 | 22-15-3099 | A-6373-09V503 | | | | |
| 10 | 22-15-3109 | A-6373-10V503 | | | | |
| 11 | 22-15-3119 | A-6373-11V503 | | | | |
| 12 | 22-15-3129 | A-6373-12V503 | | | | |
| 13 | 22-15-3139 | A-6373-13V503 | | | | |
| 14 | 22-15-3149 | A-6373-14V503 | | | | |
| 15 | 22-15-3159 | A-6373-15V503 | | | | |
| 16 | 22-15-3169 | A-6373-16V503 | | | | |
| 17 | 22-15-3179 | A-6373-17V503 | | | | |
| 18 | 22-15-3189 | A-6373-18V503 | | | | |
| 19 | 22-15-3199 | A-6373-19V503 | | | | |
| 20 | 22-15-3209 | A-6373-20V503 | | | | |
| 21 | 22-15-3219 | A-6373-21V503 | | | | |
| 22 | 22-15-3229 | A-6373-22V503 | | | | |
| 23 | 22-15-3239 | A-6373-23V503 | | | | |
| 24 | 22-15-3249 | A-6373-24V503 | | | | |
| 25 | 22-15-3259 | A-6373-25V503 | | | | |
| 26 | 22-15-3269 | A-6373-26V503 | | | | |
| 27 | 22-15-3279 | A-6373-27V503 | | | | |
| 28 | 22-15-3289 | A-6373-28V503 | | | | |

| | | | | |
|---|------------------------------------|--|---|--------------------------------------|
| REV: BA9 | <u>ECR/ECN INFORMATION:</u> | | <u>TITLE:</u> KK 100 HEADER ASSEMBLY FRICTION LOCK SOLID BODY | <u>SHEET No.</u> - 3 - |
| | <u>EC No.:</u> UCP2007-1744 | | | |
| | <u>DATE:</u> 1/24/2007 | | | |
| <u>DOCUMENT NUMBER:</u> SD - 6373 - 001 | | <u>CREATED / REVISED BY:</u> ADERR | <u>CHECKED BY:</u> LSCHMIDT | <u>APPROVED BY:</u> FSMITH |

| GROUP: | | A-6373-NE102-* | | | | |
|---------------|-----------------|----------------|------|-----------------|------------|----------|
| PIN NUMBER: | | 2766-13(102) | | | | |
| PIN LENGTH: L | | .750 / (19.05) | | | | |
| MATING: M | | .260 / (6.60) | | | | |
| PC TAIL: P | | .365 / (9.27) | | | | |
| PACKAGING: | | PK-6373-001 | | | | |
| CKTS | MATERIAL NUMBER | ENG NUMBER | CKTS | MATERIAL NUMBER | ENG NUMBER | VOID CKT |
| 2 | 22-23-2025 | A-6373-02E102 | | | | |
| 3 | | A-6373-03E102 | | | | |
| 4 | | A-6373-04E102 | | | | |
| 5 | 22-23-2055 | A-6373-05E102 | | | | |
| 6 | 22-23-2065 | A-6373-06E102 | | | | |
| 7 | | A-6373-07E102 | | | | |
| 8 | | A-6373-08E102 | | | | |
| 9 | | A-6373-09E102 | | | | |
| 10 | 22-23-2105 | A-6373-10E102 | | | | |
| 11 | | A-6373-11E102 | | | | |
| 12 | | A-6373-12E102 | | | | |
| 13 | | A-6373-13E102 | | | | |
| 14 | | A-6373-14E102 | | | | |
| 15 | 22-23-2155 | A-6373-15E102 | | | | |
| 16 | | A-6373-16E102 | | | | |
| 17 | | A-6373-17E102 | | | | |
| 18 | | A-6373-18E102 | | | | |
| 19 | | A-6373-19E102 | | | | |
| 20 | | A-6373-20E102 | | | | |
| 21 | | A-6373-21E102 | | | | |
| 22 | | A-6373-22E102 | | | | |
| 23 | | A-6373-23E102 | | | | |
| 24 | | A-6373-24E102 | | | | |
| 25 | | A-6373-25E102 | | | | |
| 26 | | A-6373-26E102 | | | | |
| 27 | | A-6373-27E102 | | | | |
| 28 | | A-6373-28E102 | | | | |

| GROUP: | | A-6373-NY516-* | | | | |
|---------------|-----------------|------------------|------|-----------------|------------|----------|
| PIN NUMBER: | | 2766-28(516) | | | | |
| PIN LENGTH: L | | .625 / (15.88) | | | | |
| MATING: M | | .313 / (7.95) | | | | |
| PC TAIL: P | | .187 / (4.75) | | | | |
| PACKAGING: | | PK-6373-001 BULK | | | | |
| CKTS | MATERIAL NUMBER | ENG NUMBER | CKTS | MATERIAL NUMBER | ENG NUMBER | VOID CKT |
| 2 | 22-11-2026 | A-6373-02Y516 | | | | |
| 3 | 22-11-2036 | A-6373-03Y516 | | | | |
| 4 | 22-11-2046 | A-6373-04Y516 | | | | |
| 5 | 22-11-2056 | A-6373-05Y516 | | | | |
| 6 | 22-11-2066 | A-6373-06Y516 | | | | |
| 7 | 22-11-2076 | A-6373-07Y516 | | | | |
| 8 | 22-11-2086 | A-6373-08Y516 | | | | |
| 9 | 22-11-2096 | A-6373-09Y516 | | | | |
| 10 | 22-11-2106 | A-6373-10Y516 | | | | |
| 11 | 22-11-2116 | A-6373-11Y516 | | | | |
| 12 | 22-11-2126 | A-6373-12Y516 | | | | |
| 13 | 22-11-2136 | A-6373-13Y516 | | | | |
| 14 | 22-11-2146 | A-6373-14Y516 | | | | |
| 15 | 22-11-2156 | A-6373-15Y516 | | | | |
| 16 | 22-11-2166 | A-6373-16Y516 | | | | |
| 17 | 22-11-2176 | A-6373-17Y516 | | | | |
| 18 | 22-11-2186 | A-6373-18Y516 | | | | |
| 19 | 22-11-2196 | A-6373-19Y516 | | | | |
| 20 | 22-11-2206 | A-6373-20Y516 | | | | |
| 21 | 22-11-2216 | A-6373-21Y516 | | | | |
| 22 | 22-11-2226 | A-6373-22Y516 | | | | |
| 23 | 22-11-2236 | A-6373-23Y516 | | | | |
| 24 | 22-11-2246 | A-6373-24Y516 | | | | |
| 25 | 22-11-2256 | A-6373-25Y516 | | | | |
| 26 | 22-11-2266 | A-6373-26Y516 | | | | |
| 27 | 22-11-2276 | A-6373-27Y516 | | | | |
| 28 | 22-11-2286 | A-6373-28Y516 | | | | |

| | | | | |
|---|------------------------------------|--|---|--------------------------------------|
| REV: BA9 | <u>ECR/ECN INFORMATION:</u> | | <u>TITLE:</u> KK 100 HEADER ASSEMBLY FRICTION LOCK SOLID BODY | <u>SHEET No.</u> - 4 - |
| | <u>EC No.:</u> UCP2007-1744 | | | |
| | <u>DATE:</u> 1/24/2007 | | | |
| <u>DOCUMENT NUMBER:</u> SD - 6373 - 001 | | <u>CREATED / REVISED BY:</u> ADERR | <u>CHECKED BY:</u> LSCHMIDT | <u>APPROVED BY:</u> FSMITH |

| GROUP: | | A-6373-NA501-* | | | | |
|---------------|-----------------|------------------|------|-----------------|------------------|----------|
| PIN NUMBER: | | 2766-1(501) | | | | |
| PIN LENGTH: L | | .560 / (14.22) | | | | |
| MATING: M | | .295 / (7.49) | | | | |
| PC TAIL: P | | .140 / (3.56) | | | | |
| PACKAGING: | | PK-6373-001 BULK | | | | |
| CKTS | MATERIAL NUMBER | ENG NUMBER | CKTS | MATERIAL NUMBER | ENG NUMBER | VOID CKT |
| 2 | 22-11-2022 | A-6373-02A501 | 04 | 22-04-6044 | A-6373-04A501-2 | 2 |
| 3 | 22-11-2032 | A-6373-03A501 | 04 | 22-11-2043 | A-6373-04A501-3 | 3 |
| 4 | 22-11-2042 | A-6373-04A501 | 03 | 22-11-2037 | A-6373-03A501-2 | 2 |
| 5 | 22-11-2052 | A-6373-05A501 | 24 | 22-11-2247 | A-6373-24A501-5 | 5 |
| 6 | 22-11-2062 | A-6373-06A501 | 24 | 22-11-2248 | A-6373-24A501-17 | 17 |
| 7 | 22-11-2072 | A-6373-07A501 | 08 | 22-11-2087 | A-6373-08A501-5 | 5 |
| 8 | 22-11-2082 | A-6373-08A501 | 06 | 22-04-6064 | A-6373-06A501-5 | 5 |
| 9 | 22-11-2092 | A-6373-09A501 | 06 | 22-04-6065 | A-6373-06A501-4 | 4 |
| 10 | 22-11-2102 | A-6373-10A501 | 07 | 22-04-6074 | A-6373-07A501-1 | 1 |
| 11 | 22-11-2112 | A-6373-11A501 | 12 | 22-04-6124 | A-6373-12A501-11 | 11 |
| 12 | 22-11-2122 | A-6373-12A501 | 20 | 22-04-6204 | A-6373-20A501-19 | 19 |
| 13 | 22-11-2132 | A-6373-13A501 | 10 | 22-04-6104 | A-6373-10A501-2 | 2 |
| 14 | 22-11-2142 | A-6373-14A501 | 08 | 22-04-6084 | A-6373-08A501-6 | 6 |
| 15 | 22-11-2152 | A-6373-15A501 | 09 | 22-04-6094 | A-6373-09A501-4 | 4 |
| 16 | 22-11-2162 | A-6373-16A501 | 24 | 22-04-6244 | A-6373-24A501-23 | 23 |
| 17 | 22-11-2172 | A-6373-17A501 | 05 | 22-04-6054 | A-6373-05A501-4 | 4 |
| 18 | 22-11-2182 | A-6373-18A501 | | | | |
| 19 | 22-11-2192 | A-6373-19A501 | | | | |
| 20 | 22-11-2202 | A-6373-20A501 | | | | |
| 21 | 22-11-2212 | A-6373-21A501 | | | | |
| 22 | 22-11-2222 | A-6373-22A501 | | | | |
| 23 | 22-11-2232 | A-6373-23A501 | | | | |
| 24 | 22-11-2242 | A-6373-24A501 | | | | |
| 25 | 22-11-2252 | A-6373-25A501 | | | | |
| 26 | 22-11-2262 | A-6373-26A501 | | | | |
| 27 | 22-11-2272 | A-6373-27A501 | | | | |
| 28 | 22-11-2282 | A-6373-28A501 | | | | |

| GROUP: | | A-6373-NA102-* (continued) | | | | |
|---------------|-----------------|----------------------------|------|-----------------|------------------|-------------------------|
| PIN NUMBER: | | 2766-1(102) | | | | |
| PIN LENGTH: L | | .560 / (14.22) | | | | |
| MATING: M | | .295 / (7.49) | | | | |
| PC TAIL: P | | .140 / (3.56) | | | | |
| PACKAGING: | | PK-6373-001 BULK | | | | |
| CKTS | MATERIAL NUMBER | ENG NUMBER | CKTS | MATERIAL NUMBER | ENG NUMBER | VOID CKT |
| 2 | | | 13 | 50-29-1611 | A-6373-13A102-54 | 2,3,4,6,7 8,10,11,12 |
| 3 | | | 16 | 22-23-1189 | A-6373-16A102-2 | 2 |
| 4 | | | 10 | 22-04-5107 | A-6373-10A102-7 | 7 |
| 5 | | | 16 | 22-23-2165 | A-6373-16A102-15 | 15 |
| 6 | | | 10 | 22-04-5110 | A-6373-10A102-4 | 4 |
| 7 | | | 09 | 50-29-1766 | A-6373-09A102-8 | 8 |
| 8 | | | 09 | 50-29-1769 | A-6373-09A102-2 | 2 |
| 9 | | | | | | |
| 10 | | | | | | |
| 11 | | | | | | |
| 12 | | | | | | |
| 13 | | | | | | |
| 14 | | | | | | |
| 15 | | | | | | |
| 16 | | | | | | |
| 17 | | | | | | |
| 18 | | | | | | |
| 19 | | | | | | |
| 20 | | | | | | |
| 21 | | | | | | |
| 22 | | | | | | |
| 23 | | | | | | |
| 24 | | | | | | |
| 25 | | | | | | |
| 26 | | | | | | |
| 27 | | | | | | |
| 28 | | | | | | |

| | | | | | |
|--|------|---------------------------------------|--------------------------------|--|--------------|
| BA9 | REV: | ECR/ECN INFORMATION: | TITLE: | KK 100 HEADER ASSEMBLY FRICTION LOCK SOLID BODY | SHEET No. |
| | | EC No.: UCP2007-1744 | | | - 5 - |
| | | DATE: 1/24/2007 | | | |
| DOCUMENT NUMBER: SD - 6373 - 001 | | CREATED / REVISED BY: ADERR | CHECKED BY: LSCHMIDT | APPROVED BY: FSMITH | |

| GROUP: | | A-6373-NAB102-* | | | | |
|---------------|-----------------|------------------|------|-----------------|------------|----------|
| PIN NUMBER: | | 2766-54(102) | | | | |
| PIN LENGTH: L | | .703 / (17.86) | | | | |
| MATING: M | | .289 / (7.34) | | | | |
| PC TAIL: P | | .289 / (7.34) | | | | |
| PACKAGING: | | PK-6373-001 BULK | | | | |
| CKTS | MATERIAL NUMBER | ENG NUMBER | CKTS | MATERIAL NUMBER | ENG NUMBER | VOID CKT |
| 2 | | A-6373-02AB102 | | | | |
| 3 | 50-29-0052 | A-6373-03AB102 | | | | |
| 4 | 50-29-0053 | A-6373-04AB102 | | | | |
| 5 | | A-6373-05AB102 | | | | |
| 6 | | A-6373-06AB102 | | | | |
| 7 | | A-6373-07AB102 | | | | |
| 8 | 50-29-0057 | A-6373-08AB102 | | | | |
| 9 | | A-6373-09AB102 | | | | |
| 10 | 50-29-0058 | A-6373-10AB102 | | | | |
| 11 | | A-6373-11AB102 | | | | |
| 12 | | A-6373-12AB102 | | | | |
| 13 | | A-6373-13AB102 | | | | |
| 14 | | A-6373-14AB102 | | | | |
| 15 | | A-6373-15AB102 | | | | |
| 16 | | A-6373-16AB102 | | | | |
| 17 | | A-6373-17AB102 | | | | |
| 18 | | A-6373-18AB102 | | | | |
| 19 | | A-6373-19AB102 | | | | |
| 20 | | A-6373-20AB102 | | | | |
| 21 | | A-6373-21AB102 | | | | |
| 22 | | A-6373-22AB102 | | | | |
| 23 | | A-6373-23AB102 | | | | |
| 24 | | A-6373-24AB102 | | | | |
| 25 | | A-6373-25AB102 | | | | |
| 26 | | A-6373-26AB102 | | | | |
| 27 | | A-6373-27AB102 | | | | |
| 28 | | A-6373-28AB102 | | | | |

| GROUP: | | A-6373-NA509-* | | | | |
|---------------|-----------------|------------------|------|-----------------|------------|----------|
| PIN NUMBER: | | 2766-1(509) | | | | |
| PIN LENGTH: L | | .560 / 14.22) | | | | |
| MATING: M | | .295 / (7.49) | | | | |
| PC TAIL: P | | .140 / (3.56) | | | | |
| PACKAGING: | | PK-6373-001 BULK | | | | |
| CKTS | MATERIAL NUMBER | ENG NUMBER | CKTS | MATERIAL NUMBER | ENG NUMBER | VOID CKT |
| 2 | 22-04-5022 | A-6373-02A509 | | | | |
| 3 | | A-6373-03A509 | | | | |
| 4 | | A-6373-04A509 | | | | |
| 5 | | A-6373-05A509 | | | | |
| 6 | | A-6373-06A509 | | | | |
| 7 | | A-6373-07A509 | | | | |
| 8 | | A-6373-08A509 | | | | |
| 9 | | A-6373-09A509 | | | | |
| 10 | | A-6373-10A509 | | | | |
| 11 | | A-6373-11A509 | | | | |
| 12 | | A-6373-12A509 | | | | |
| 13 | | A-6373-13A509 | | | | |
| 14 | | A-6373-14A509 | | | | |
| 15 | | A-6373-15A509 | | | | |
| 16 | | A-6373-16A509 | | | | |
| 17 | | A-6373-17A509 | | | | |
| 18 | | A-6373-18A509 | | | | |
| 19 | | A-6373-19A509 | | | | |
| 20 | | A-6373-20A509 | | | | |
| 21 | | A-6373-21A509 | | | | |
| 22 | | A-6373-22A509 | | | | |
| 23 | | A-6373-23A509 | | | | |
| 24 | | A-6373-24A509 | | | | |
| 25 | | A-6373-25A509 | | | | |
| 26 | | A-6373-26A509 | | | | |
| 27 | | A-6373-27A509 | | | | |
| 28 | | A-6373-28A509 | | | | |

| | | | | |
|---|-----------------------------|--|---|--------------------------------------|
| REV: BA9 | <u>ECR/ECN INFORMATION:</u> | | <u>TITLE:</u> KK 100 HEADER ASSEMBLY FRICTION LOCK SOLID BODY | <u>SHEET No.</u> - 6 - |
| | EC No.: UCP2007-1744 | | | |
| | DATE: 1/24/2007 | | | |
| <u>DOCUMENT NUMBER:</u> SD - 6373 - 001 | | <u>CREATED / REVISED BY:</u> ADERR | <u>CHECKED BY:</u> LSCHMIDT | <u>APPROVED BY:</u> FSMITH |

| GROUP: | | A-6373-NAH501-* | | | | |
|---------------|-----------------|------------------|-------|-----------------|------------|----------|
| PIN NUMBER: | | 2766-1(501) | | | | |
| PIN LENGTH: L | | .560 / (14.22) | | | | |
| MATING: M | | .260 / (6.60) | | | | |
| PC TAIL: P | | .175 / (4.45) | | | | |
| PACKAGING: | | PK-6373-001 BULK | | | | |
| CKTS | MATERIAL NUMBER | ENG NUMBER | CK TS | MATERIAL NUMBER | ENG NUMBER | VOID CKT |
| 2 | 22-23-6024 | A-6373-02AH501 | | | | |
| 3 | 22-23-6034 | A-6373-03AH501 | | | | |
| 4 | 22-23-6044 | A-6373-04AH501 | | | | |
| 5 | 22-23-6054 | A-6373-05AH501 | | | | |
| 6 | 22-23-6064 | A-6373-06AH501 | | | | |
| 7 | 22-23-6074 | A-6373-07AH501 | | | | |
| 8 | 22-23-6084 | A-6373-08AH501 | | | | |
| 9 | 22-23-6094 | A-6373-09AH501 | | | | |
| 10 | 22-23-6104 | A-6373-10AH501 | | | | |
| 11 | 22-23-6114 | A-6373-11AH501 | | | | |
| 12 | 22-23-6124 | A-6373-12AH501 | | | | |
| 13 | 22-23-6134 | A-6373-13AH501 | | | | |
| 14 | 22-23-6144 | A-6373-14AH501 | | | | |
| 15 | 22-23-6154 | A-6373-15AH501 | | | | |
| 16 | 22-23-6164 | A-6373-16AH501 | | | | |
| 17 | 22-23-6174 | A-6373-17AH501 | | | | |
| 18 | 22-23-6184 | A-6373-18AH501 | | | | |
| 19 | 22-23-6194 | A-6373-19AH501 | | | | |
| 20 | 22-23-6204 | A-6373-20AH501 | | | | |
| 21 | 22-23-6214 | A-6373-21AH501 | | | | |
| 22 | 22-23-6224 | A-6373-22AH501 | | | | |
| 23 | 22-23-6234 | A-6373-23AH501 | | | | |
| 24 | 22-23-6244 | A-6373-24AH501 | | | | |
| 25 | 22-23-6254 | A-6373-25AH501 | | | | |
| 26 | 22-23-6264 | A-6373-26AH501 | | | | |
| 27 | 22-23-6274 | A-6373-27AH501 | | | | |
| 28 | 22-23-6284 | A-6373-28AH501 | | | | |

| GROUP: | | A-6373-NA503-* | | | | |
|---------------|-----------------|------------------|------|-----------------|-----------------|----------|
| PIN NUMBER: | | 2766-1(503) | | | | |
| PIN LENGTH: L | | .560 / 14.22) | | | | |
| MATING: M | | .295 / (7.49) | | | | |
| PC TAIL: P | | .140 / (3.56) | | | | |
| PACKAGING: | | PK-6373-001 BULK | | | | |
| CKTS | MATERIAL NUMBER | ENG NUMBER | CKTS | MATERIAL NUMBER | ENG NUMBER | VOID CKT |
| 2 | 22-11-2028 | A-6373-02A503 | 09 | 22-11-2095 | A-6373-09A503-3 | 3 |
| 3 | 22-11-2038 | A-6373-03A503 | 09 | 22-11-2097 | A-6373-09A503-5 | 5 |
| 4 | 22-11-2048 | A-6373-04A503 | 05 | 22-11-2055 | A-6373-05A503-3 | 3 |
| 5 | 22-11-2058 | A-6373-05A503 | 11 | 22-11-2117 | A-6373-11A503-5 | 5 |
| 6 | 22-11-2068 | A-6373-06A503 | | | | |
| 7 | 22-11-2078 | A-6373-07A503 | | | | |
| 8 | 22-11-2088 | A-6373-08A503 | | | | |
| 9 | 22-11-2098 | A-6373-09A503 | | | | |
| 10 | 22-11-2108 | A-6373-10A503 | | | | |
| 11 | 22-11-2118 | A-6373-11A503 | | | | |
| 12 | 22-11-2128 | A-6373-12A503 | | | | |
| 13 | 22-11-2138 | A-6373-13A503 | | | | |
| 14 | 22-11-2148 | A-6373-14A503 | | | | |
| 15 | | A-6373-15A503 | | | | |
| 16 | | A-6373-16A503 | | | | |
| 17 | 22-11-2178 | A-6373-17A503 | | | | |
| 18 | | A-6373-18A503 | | | | |
| 19 | | A-6373-19A503 | | | | |
| 20 | | A-6373-20A503 | | | | |
| 21 | | A-6373-21A503 | | | | |
| 22 | 22-11-2228 | A-6373-22A503 | | | | |
| 23 | | A-6373-23A503 | | | | |
| 24 | | A-6373-24A503 | | | | |
| 25 | | A-6373-25A503 | | | | |
| 26 | | A-6373-26A503 | | | | |
| 27 | | A-6373-27A503 | | | | |
| 28 | | A-6373-28A503 | | | | |

| | | | | |
|---|------|--|---|--------------------------------------|
| BA9 | REV: | ECR/ECN INFORMATION: | TITLE: KK 100 HEADER ASSEMBLY FRICTION LOCK SOLID BODY | SHEET No. - 7 - |
| | | EC No.: UCP2007-1744 | | |
| | | DATE: 1/24/2007 | | |
| DOCUMENT NUMBER: SD - 6373 - 001 | | CREATED / REVISED BY: ADERR | CHECKED BY: LSCHMIDT | APPROVED BY: FSMITH |

| GROUP: | | A-6373-NAD102-* | | | | |
|---------------|-----------------|------------------|------|-----------------|------------|----------|
| PIN NUMBER: | | 4166-1(102) | | | | |
| PIN LENGTH: L | | .560 / (14.22) | | | | |
| MATING: M | | .295 / (7.49) | | | | |
| PC TAIL: P | | .140 / (3.56) | | | | |
| PACKAGING: | | PK-6373-001 BULK | | | | |
| CKTS | MATERIAL NUMBER | ENG NUMBER | CKTS | MATERIAL NUMBER | ENG NUMBER | VOID CKT |
| 2 | 22-23-2028 | A-6373-02AD102 | | | | |
| 3 | 22-23-2038 | A-6373-03AD102 | | | | |
| 4 | 22-23-2048 | A-6373-04AD102 | | | | |
| 5 | 22-23-2058 | A-6373-05AD102 | | | | |
| 6 | 22-23-2068 | A-6373-06AD102 | | | | |
| 7 | 22-23-2078 | A-6373-07AD102 | | | | |
| 8 | 22-23-2088 | A-6373-08AD102 | | | | |
| 9 | 22-23-2098 | A-6373-09AD102 | | | | |
| 10 | 22-23-2108 | A-6373-10AD102 | | | | |
| 11 | 22-23-2118 | A-6373-11AD102 | | | | |
| 12 | 22-23-2128 | A-6373-12AD102 | | | | |
| 13 | 22-23-2138 | A-6373-13AD102 | | | | |
| 14 | 22-23-2148 | A-6373-14AD102 | | | | |
| 15 | 22-23-2158 | A-6373-15AD102 | | | | |
| 16 | 22-23-2168 | A-6373-16AD102 | | | | |
| 17 | 22-23-2178 | A-6373-17AD102 | | | | |
| 18 | 22-23-2188 | A-6373-18AD102 | | | | |
| 19 | 22-23-2198 | A-6373-19AD102 | | | | |
| 20 | 22-23-2208 | A-6373-20AD102 | | | | |
| 21 | 22-23-2218 | A-6373-21AD102 | | | | |
| 22 | 22-23-2228 | A-6373-22AD102 | | | | |
| 23 | 22-23-2238 | A-6373-23AD102 | | | | |
| 24 | 22-23-2248 | A-6373-24AD102 | | | | |
| 25 | 22-23-2258 | A-6373-25AD102 | | | | |
| 26 | 22-23-2268 | A-6373-26AD102 | | | | |
| 27 | 22-23-2278 | A-6373-27AD102 | | | | |
| 28 | 22-23-2288 | A-6373-28AD102 | | | | |

| GROUP: | | | | | | |
|---------------|-----------------|------------|------|-----------------|------------|----------|
| PIN NUMBER: | | | | | | |
| PIN LENGTH: L | | | | | | |
| MATING: M | | | | | | |
| PC TAIL: P | | | | | | |
| PACKAGING: | | | | | | |
| CKTS | MATERIAL NUMBER | ENG NUMBER | CKTS | MATERIAL NUMBER | ENG NUMBER | VOID CKT |
| 2 | | | | | | |
| 3 | | | | | | |
| 4 | | | | | | |
| 5 | | | | | | |
| 6 | | | | | | |
| 7 | | | | | | |
| 8 | | | | | | |
| 9 | | | | | | |
| 10 | | | | | | |
| 11 | | | | | | |
| 12 | | | | | | |
| 13 | | | | | | |
| 14 | | | | | | |
| 15 | | | | | | |
| 16 | | | | | | |
| 17 | | | | | | |
| 18 | | | | | | |
| 19 | | | | | | |
| 20 | | | | | | |
| 21 | | | | | | |
| 22 | | | | | | |
| 23 | | | | | | |
| 24 | | | | | | |
| 25 | | | | | | |
| 26 | | | | | | |
| 27 | | | | | | |
| 28 | | | | | | |

| | | | | | |
|--|------|---------------------------------------|--------------------------------|--|--------------|
| BA9 | REV: | ECR/ECN INFORMATION: | TITLE: | KK 100 HEADER ASSEMBLY FRICTION LOCK SOLID BODY | SHEET No. |
| | | EC No.: UCP2007-1744 | | | - 8 - |
| | | DATE: 1/24/2007 | | | |
| DOCUMENT NUMBER: SD - 6373 - 001 | | CREATED / REVISED BY: ADERR | CHECKED BY: LSCHMIDT | APPROVED BY: FSMITH | |

| GROUP: | | A-6373-NA122-* | | | | |
|--------------|-----------------|------------------|------|-----------------|-----------------|----------|
| PIN NUMBER: | | 2766-1(122) | | | | |
| PIN LENGTH L | | .560 / (14.22) | | | | |
| MATING: M | | .295 / (7.49) | | | | |
| PC TAIL: P | | .140 / (3.56) | | | | |
| PACKAGING: | | PK-6373-001 BULK | | | | |
| CKTS | MATERIAL NUMBER | ENG NUMBER | CKTS | MATERIAL NUMBER | ENG NUMBER | VOID CKT |
| 2 | 22-23-2027 | A-6373-02A122 | 5 | 22-04-6053 | A-6373-05A122-3 | 3 |
| 3 | 22-23-2037 | A-6373-03A122 | | | | |
| 4 | 22-23-2047 | A-6373-04A122 | | | | |
| 5 | 22-23-2057 | A-6373-05A122 | | | | |
| 6 | 22-23-2067 | A-6373-06A122 | | | | |
| 7 | 22-23-2077 | A-6373-07A122 | | | | |
| 8 | 22-23-2087 | A-6373-08A122 | | | | |
| 9 | 22-23-2097 | A-6373-09A122 | | | | |
| 10 | 22-23-2107 | A-6373-10A122 | | | | |
| 11 | 22-23-2117 | A-6373-11A122 | | | | |
| 12 | 22-23-2127 | A-6373-12A122 | | | | |
| 13 | 22-23-2137 | A-6373-13A122 | | | | |
| 14 | 22-23-2147 | A-6373-14A122 | | | | |
| 15 | 22-23-2157 | A-6373-15A122 | | | | |
| 16 | 22-23-2167 | A-6373-16A122 | | | | |
| 17 | 22-23-2177 | A-6373-17A122 | | | | |
| 18 | 22-23-2187 | A-6373-18A122 | | | | |
| 19 | 22-23-2197 | A-6373-19A122 | | | | |
| 20 | 22-23-2207 | A-6373-20A122 | | | | |
| 21 | 22-23-2217 | A-6373-21A122 | | | | |
| 22 | 22-23-2227 | A-6373-22A122 | | | | |
| 23 | 22-23-2237 | A-6373-23A122 | | | | |
| 24 | 22-23-2247 | A-6373-24A122 | | | | |
| 25 | 22-23-2257 | A-6373-25A122 | | | | |
| 26 | 22-23-2267 | A-6373-26A122 | | | | |
| 27 | 22-23-2777 | A-6373-27A122 | | | | |
| 28 | 22-23-2287 | A-6373-28A122 | | | | |

| GROUP: | | A-6373-NA102A-* | | | | |
|---------------|-----------------|-------------------|-------|-----------------|------------------|----------|
| PIN NUMBER: | | 2766-1(102) | | | | |
| PIN LENGTH: L | | .560 / (14.22) | | | | |
| MATING: M | | .295 / (7.49) | | | | |
| PC TAIL: P | | .140 / (3.56) | | | | |
| PACKAGING: | | PK-44743-001 BULK | | | | |
| CKTS | MATERIAL NUMBER | ENG NUMBER | CK TS | MATERIAL NUMBER | ENG NUMBER | VOID CKT |
| 2 | 22-23-6021 | A-6373-02A102A | 10 | 22-23-6106 | A-6373-10A102A-2 | 2 |
| 3 | 22-23-6031 | A-6373-03A102A | | | | |
| 4 | 22-23-6041 | A-6373-04A102A | | | | |
| 5 | 22-23-6051 | A-6373-05A102A | | | | |
| 6 | 22-23-6061 | A-6373-06A102A | | | | |
| 7 | 22-23-6071 | A-6373-07A102A | | | | |
| 8 | 22-23-6081 | A-6373-08A102A | | | | |
| 9 | 22-23-6091 | A-6373-09A102A | | | | |
| 10 | 22-23-6101 | A-6373-10A102A | | | | |
| 11 | 22-23-6111 | A-6373-11A102A | | | | |
| 12 | 22-23-6121 | A-6373-12A102A | | | | |
| 13 | 22-23-6131 | A-6373-13A102A | | | | |
| 14 | 22-23-6141 | A-6373-14A102A | | | | |
| 15 | 22-23-6151 | A-6373-15A102A | | | | |
| 16 | 22-23-6161 | A-6373-16A102A | | | | |
| 17 | 22-23-6171 | A-6373-17A102A | | | | |
| 18 | 22-23-6181 | A-6373-18A102A | | | | |
| 19 | 22-23-6191 | A-6373-19A102A | | | | |
| 20 | 22-23-6201 | A-6373-20A102A | | | | |
| 21 | 22-23-6211 | A-6373-21A102A | | | | |
| 22 | 22-23-6221 | A-6373-22A102A | | | | |
| 23 | 22-23-6231 | A-6373-23A102A | | | | |
| 24 | 22-23-6241 | A-6373-24A102A | | | | |
| 25 | 22-23-6251 | A-6373-25A102A | | | | |
| 26 | 22-23-6261 | A-6373-26A102A | | | | |
| 27 | 22-23-6271 | A-6373-27A102A | | | | |
| 28 | 22-23-6281 | A-6373-28A102A | | | | |

| | | | | | |
|------------------------|------|-----------------------|-----------------|--|--------------|
| BA9 | REV: | ECR/ECN INFORMATION: | TITLE: | KK 100 HEADER ASSEMBLY FRICTION LOCK SOLID BODY | SHEET No. |
| | | EC No.: | | | - 9 - |
| | | DATE: | | | |
| DOCUMENT NUMBER: | | CREATED / REVISED BY: | CHECKED BY: | APPROVED BY: | |
| SD - 6373 - 001 | | ADERR | LSCHMIDT | FSMITH | |

| GROUP: | | A-6373-NAF102-* | | | | |
|---------------|-----------------|-----------------|------|-----------------|------------|----------|
| PIN NUMBER: | | 2766-39(102) | | | | |
| PIN LENGTH: L | | .500 / (12.70) | | | | |
| MATING : M | | .260 / (6.60) | | | | |
| PC TAIL: P | | .115 / (2.92) | | | | |
| PACKAGING: | | PK-6373-001 | | | | |
| CKTS | MATERIAL NUMBER | ENG NUMBER | CKTS | MATERIAL NUMBER | ENG NUMBER | VOID CKT |
| 2 | 22-23-2020 | A-6373-02AF102 | | | | |
| 3 | 22-23-2030 | A-6373-03AF102 | | | | |
| 4 | 22-23-2040 | A-6373-04AF102 | | | | |
| 5 | 22-23-2050 | A-6373-05AF102 | | | | |
| 6 | 22-23-2060 | A-6373-06AF102 | | | | |
| 7 | 22-23-2070 | A-6373-07AF102 | | | | |
| 8 | 22-23-2080 | A-6373-08AF102 | | | | |
| 9 | 22-23-2090 | A-6373-09AF102 | | | | |
| 10 | 22-23-2100 | A-6373-10AF102 | | | | |
| 11 | 22-23-2110 | A-6373-11AF102 | | | | |
| 12 | 22-23-2120 | A-6373-12AF102 | | | | |
| 13 | 22-23-2130 | A-6373-13AF102 | | | | |
| 14 | 22-23-2140 | A-6373-14AF102 | | | | |
| 15 | 22-23-2150 | A-6373-15AF102 | | | | |
| 16 | 22-23-2160 | A-6373-16AF102 | | | | |
| 17 | 22-23-2170 | A-6373-17AF102 | | | | |
| 18 | 22-23-2180 | A-6373-18AF102 | | | | |
| 19 | 22-23-2190 | A-6373-19AF102 | | | | |
| 20 | 22-23-2200 | A-6373-20AF102 | | | | |
| 21 | 22-23-2210 | A-6373-21AF102 | | | | |
| 22 | 22-23-2220 | A-6373-22AF102 | | | | |
| 23 | 22-23-2230 | A-6373-23AF102 | | | | |
| 24 | 22-23-2240 | A-6373-24AF102 | | | | |
| 25 | 22-23-2250 | A-6373-25AF102 | | | | |
| 26 | 22-23-2260 | A-6373-26AF102 | | | | |
| 27 | 22-23-2270 | A-6373-27AF102 | | | | |
| 28 | 22-23-2280 | A-6373-28AF102 | | | | |

| GROUP: | | A-6373-NAG102-* | | | | |
|---------------|-----------------|-----------------|------|-----------------|------------|----------|
| PIN NUMBER: | | 2766-39(102) | | | | |
| PIN LENGTH: L | | .500 / (12.70) | | | | |
| MATING: M | | .301 / (7.65) | | | | |
| PC TAIL: P | | .074 / (1.88) | | | | |
| PACKAGING: | | PK-6373-001 | | | | |
| CKTS | MATERIAL NUMBER | ENG NUMBER | CKTS | MATERIAL NUMBER | ENG NUMBER | VOID CKT |
| 2 | 22-23-2022 | A-6373-02AG102 | | | | |
| 3 | 22-23-2032 | A-6373-03AG102 | | | | |
| 4 | 22-23-2042 | A-6373-04AG102 | | | | |
| 5 | 22-23-2052 | A-6373-05AG102 | | | | |
| 6 | 22-23-2062 | A-6373-06AG102 | | | | |
| 7 | 22-23-2072 | A-6373-07AG102 | | | | |
| 8 | 22-23-2082 | A-6373-08AG102 | | | | |
| 9 | 22-23-2092 | A-6373-09AG102 | | | | |
| 10 | 22-23-2102 | A-6373-10AG102 | | | | |
| 11 | 22-23-2112 | A-6373-11AG102 | | | | |
| 12 | 22-23-2122 | A-6373-12AG102 | | | | |
| 13 | 22-23-2132 | A-6373-13AG102 | | | | |
| 14 | 22-23-2142 | A-6373-14AG102 | | | | |
| 15 | 22-23-2152 | A-6373-15AG102 | | | | |
| 16 | 22-23-2162 | A-6373-16AG102 | | | | |
| 17 | 22-23-2172 | A-6373-17AG102 | | | | |
| 18 | 22-23-2182 | A-6373-18AG102 | | | | |
| 19 | 22-23-2192 | A-6373-19AG102 | | | | |
| 20 | 22-23-2202 | A-6373-20AG102 | | | | |
| 21 | 22-23-2212 | A-6373-21AG102 | | | | |
| 22 | 22-23-2222 | A-6373-22AG102 | | | | |
| 23 | 22-23-2232 | A-6373-23AG102 | | | | |
| 24 | 22-23-2242 | A-6373-24AG102 | | | | |
| 25 | 22-23-2252 | A-6373-25AG102 | | | | |
| 26 | 22-23-2262 | A-6373-26AG102 | | | | |
| 27 | 22-23-2272 | A-6373-27AG102 | | | | |
| 28 | 22-23-2282 | A-6373-28AG102 | | | | |

| | | | | |
|---|------|--|--|--------------------------------------|
| BA9 | REV: | ECR/ECN INFORMATION: | KK 100 HEADER ASSEMBLY FRICTION LOCK SOLID BODY | <u>SHEET No.</u> - 10 - |
| | | EC No.: UCP2007-1744 | | |
| | | DATE: 1/24/2007 | | |
| <u>DOCUMENT NUMBER:</u> SD - 6373 - 001 | | <u>CREATED / REVISED BY:</u> ADERR | <u>CHECKED BY:</u> LSCHMIDT | <u>APPROVED BY:</u> FSMITH |

| GROUP: | | A-6373-NAH102-* | | | | |
|---------------|-----------------|-----------------|------|-----------------|------------|----------|
| PIN NUMBER: | | 2766-1(102) | | | | |
| PIN LENGTH: L | | .560 / (14.22) | | | | |
| MATING: M | | .260 / (6.60) | | | | |
| PC TAIL: P | | .175 / (4.45) | | | | |
| PACKAGING: | | PK-6373-001 | | | | |
| CKTS | MATERIAL NUMBER | ENG NUMBER | CKTS | MATERIAL NUMBER | ENG NUMBER | VOID CKT |
| 2 | 22-23-3020 | A-6373-02AH102 | | | | |
| 3 | 22-23-3030 | A-6373-03AH102 | | | | |
| 4 | 22-23-3040 | A-6373-04AH102 | | | | |
| 5 | 22-23-3050 | A-6373-05AH102 | | | | |
| 6 | 22-23-3060 | A-6373-06AH102 | | | | |
| 7 | 22-23-3070 | A-6373-07AH102 | | | | |
| 8 | 22-23-3080 | A-6373-08AH102 | | | | |
| 9 | 22-23-3090 | A-6373-09AH102 | | | | |
| 10 | 22-23-3100 | A-6373-10AH102 | | | | |
| 11 | 22-23-3110 | A-6373-11AH102 | | | | |
| 12 | 22-23-3120 | A-6373-12AH102 | | | | |
| 13 | 22-23-3130 | A-6373-13AH102 | | | | |
| 14 | 22-23-3140 | A-6373-14AH102 | | | | |
| 15 | 22-23-3150 | A-6373-15AH102 | | | | |
| 16 | 22-23-3160 | A-6373-16AH102 | | | | |
| 17 | 22-23-3170 | A-6373-17AH102 | | | | |
| 18 | 22-23-3180 | A-6373-18AH102 | | | | |
| 19 | 22-23-3190 | A-6373-19AH102 | | | | |
| 20 | 22-23-3200 | A-6373-20AH102 | | | | |
| 21 | 22-23-3210 | A-6373-21AH102 | | | | |
| 22 | 22-23-3220 | A-6373-22AH102 | | | | |
| 23 | 22-23-3230 | A-6373-23AH102 | | | | |
| 24 | 22-23-3240 | A-6373-24AH102 | | | | |
| 25 | 22-23-3250 | A-6373-25AH102 | | | | |
| 26 | 22-23-3260 | A-6373-26AH102 | | | | |
| 27 | 22-23-3270 | A-6373-27AH102 | | | | |
| 28 | 22-23-3280 | A-6373-28AH102 | | | | |

| GROUP: | | A-6373-NAJ122-* | | | | |
|---------------|-----------------|-----------------|------|-----------------|------------------|----------|
| PIN NUMBER: | | 2766-52(122) | | | | |
| PIN LENGTH: L | | .575 / (14.61) | | | | |
| MATING: M | | .295 / (7.49) | | | | |
| PC TAIL: P | | .155 / (3.94) | | | | |
| PACKAGING: | | PK-6373-001 | | | | |
| CKTS | MATERIAL NUMBER | ENG NUMBER | CKTS | MATERIAL NUMBER | ENG NUMBER | VOID CKT |
| 2 | 22-23-3023 | A-6373-02AJ122 | 05 | 22-04-6052 | A-6373-05AJ122-1 | 1 |
| 3 | 22-23-3033 | A-6373-03AJ122 | 06 | 22-04-6062 | A-6373-06AJ122-2 | 2 |
| 4 | 22-23-3043 | A-6373-04AJ122 | | | | |
| 5 | 22-23-3053 | A-6373-05AJ122 | | | | |
| 6 | 22-23-3063 | A-6373-06AJ122 | | | | |
| 7 | | A-6373-07AJ122 | | | | |
| 8 | 22-23-3083 | A-6373-08AJ122 | | | | |
| 9 | 22-23-3093 | A-6373-09AJ122 | | | | |
| 10 | 22-23-3103 | A-6373-10AJ122 | | | | |
| 11 | | A-6373-11AJ122 | | | | |
| 12 | | A-6373-12AJ122 | | | | |
| 13 | | A-6373-13AJ122 | | | | |
| 14 | | A-6373-14AJ122 | | | | |
| 15 | 22-23-3153 | A-6373-15AJ122 | | | | |
| 16 | 22-23-3163 | A-6373-16AJ122 | | | | |
| 17 | | A-6373-17AJ122 | | | | |
| 18 | | A-6373-18AJ122 | | | | |
| 19 | | A-6373-19AJ122 | | | | |
| 20 | 22-23-3203 | A-6373-20AJ122 | | | | |
| 21 | | A-6373-21AJ122 | | | | |
| 22 | | A-6373-22AJ122 | | | | |
| 23 | | A-6373-23AJ122 | | | | |
| 24 | | A-6373-24AJ122 | | | | |
| 25 | | A-6373-25AJ122 | | | | |
| 26 | | A-6373-26AJ122 | | | | |
| 27 | | A-6373-27AJ122 | | | | |
| 28 | | A-6373-28AJ122 | | | | |

| | | | | |
|---|------------------------------------|---|---------------------------------------|--------------------------------------|
| REV: BA9 | <u>ECR/ECN INFORMATION:</u> | <u>TITLE:</u> KK 100 HEADER ASSEMBLY FRICTION LOCK SOLID BODY | <u>SHEET No.</u> - 11 - | |
| | <u>EC No.:</u> UCP2007-1744 | | | |
| | <u>DATE:</u> 1/24/2007 | | | |
| <u>DOCUMENT NUMBER:</u> SD - 6373 - 001 | | <u>CREATED / REVISED BY:</u> ADERR | <u>CHECKED BY:</u> LSCHMIDT | <u>APPROVED BY:</u> FSMITH |

| GROUP: | | A-6373-NA501A-* | | | | |
|---------------|-----------------|-----------------|------|-----------------|------------|----------|
| PIN NUMBER: | | 2766-1(501) | | | | |
| PIN LENGTH: L | | .560 / (14.22) | | | | |
| MATING: M | | .295 / (7.49) | | | | |
| PC TAIL: P | | .140 / (3.56) | | | | |
| PACKAGING: | | PK-44743-001 | | | | |
| CKTS | MATERIAL NUMBER | ENG NUMBER | CKTS | MATERIAL NUMBER | ENG NUMBER | VOID CKT |
| 2 | | | | | | |
| 3 | 22-23-1035 | A-6373-03A501A | | | | |
| 4 | 22-23-1045 | A-6373-04A501A | | | | |
| 5 | 22-23-1055 | A-6373-05A501A | | | | |
| 6 | 22-23-1065 | A-6373-06A501A | | | | |
| 7 | 22-23-1075 | A-6373-07A501A | | | | |
| 8 | 22-23-1085 | A-6373-08A501A | | | | |
| 9 | 22-23-1095 | A-6373-09A501A | | | | |
| 10 | 22-23-1105 | A-6373-10A501A | | | | |
| 11 | 22-23-1115 | A-6373-11A501A | | | | |
| 12 | 22-23-1125 | A-6373-12A501A | | | | |
| 13 | 22-23-1135 | A-6373-13A501A | | | | |
| 14 | 22-23-1145 | A-6373-14A501A | | | | |
| 15 | 22-23-1155 | A-6373-15A501A | | | | |
| 16 | 22-23-1165 | A-6373-16A501A | | | | |
| 17 | 22-23-1175 | A-6373-17A501A | | | | |
| 18 | 22-23-1185 | A-6373-18A501A | | | | |
| 19 | 22-23-1195 | A-6373-19A501A | | | | |
| 20 | 22-23-1205 | A-6373-20A501A | | | | |
| 21 | 22-23-1211 | A-6373-21A501A | | | | |
| 22 | 22-23-1222 | A-6373-22A501A | | | | |
| 23 | 22-23-1233 | A-6373-23A501A | | | | |
| 24 | 22-23-1244 | A-6373-24A501A | | | | |
| 25 | 22-23-1255 | A-6373-25A501A | | | | |
| 26 | 22-23-1266 | A-6373-26A501A | | | | |
| 27 | 22-23-1277 | A-6373-27A501A | | | | |
| 28 | 22-23-1288 | A-6373-28A501A | | | | |

| GROUP: | | A-6373-NAL102-* | | | | |
|---------------|-----------------|-----------------|-------|-----------------|------------------|----------|
| PIN NUMBER: | | 4166-8(102) | | | | |
| PIN LENGTH: L | | 1.000 / (25.40) | | | | |
| MATING: M | | .295 / (7.49) | | | | |
| PC TAIL: P | | .580 / (14.73) | | | | |
| PACKAGING: | | PK-6373-001 | | | | |
| CKTS | MATERIAL NUMBER | ENG NUMBER | CK TS | MATERIAL NUMBER | ENG NUMBER | VOID CKT |
| 2 | | | 06 | 22-04-6066 | A-6373-06AL102-2 | 2 |
| 3 | 22-23-6032 | A-6373-03AL102 | 06 | 22-04-6067 | A-6373-06AL102-3 | 3 |
| 4 | 22-23-6042 | A-6373-04AL102 | | | | |
| 5 | 22-23-6052 | A-6373-05AL102 | | | | |
| 6 | 22-23-6062 | A-6373-06AL102 | | | | |
| 7 | 22-23-6072 | A-6373-07AL102 | | | | |
| 8 | 22-23-6082 | A-6373-08AL102 | | | | |
| 9 | 22-23-6092 | A-6373-09AL102 | | | | |
| 10 | 22-23-6102 | A-6373-10AL102 | | | | |
| 11 | 22-23-6112 | A-6373-11AL102 | | | | |
| 12 | 22-23-6122 | A-6373-12AL102 | | | | |
| 13 | 22-23-6132 | A-6373-13AL102 | | | | |
| 14 | 22-23-6142 | A-6373-14AL102 | | | | |
| 15 | 22-23-6152 | A-6373-15AL102 | | | | |
| 16 | 22-23-6162 | A-6373-16AL102 | | | | |
| 17 | 22-23-6172 | A-6373-17AL102 | | | | |
| 18 | 22-23-6182 | A-6373-18AL102 | | | | |
| 19 | 22-23-6192 | A-6373-19AL102 | | | | |
| 20 | 22-23-6202 | A-6373-20AL102 | | | | |
| 21 | 22-23-6212 | A-6373-21AL102 | | | | |
| 22 | 22-23-6222 | A-6373-22AL102 | | | | |
| 23 | 22-23-6232 | A-6373-23AL102 | | | | |
| 24 | 22-23-6242 | A-6373-24AL102 | | | | |
| 25 | 22-23-6252 | A-6373-25AL102 | | | | |
| 26 | 22-23-6262 | A-6373-26AL102 | | | | |
| 27 | 22-23-6272 | A-6373-27AL102 | | | | |
| 28 | 22-23-6282 | A-6373-28AL102 | | | | |

| | | | | | |
|--|------|---------------------------------------|--------------------------------|--|---------------|
| BA9 | REV: | ECR/ECN INFORMATION: | TITLE: | KK 100 HEADER ASSEMBLY FRICTION LOCK SOLID BODY | SHEET No. |
| | | EC No.: UCP2007-1744 | | | - 12 - |
| | | DATE: 1/24/2007 | | | |
| DOCUMENT NUMBER: SD - 6373 - 001 | | CREATED / REVISED BY: ADERR | CHECKED BY: LSCHMIDT | APPROVED BY: FSMITH | |

| GROUP: | | A-6373-NAM102-* | | | | |
|---------------|-----------------|-----------------|------|-----------------|------------|----------|
| PIN NUMBER: | | 2766-69(102) | | | | |
| PIN LENGTH: L | | .515 / (13.08) | | | | |
| MATING: M | | .300 / (7.62) | | | | |
| PC TAIL: P | | .090 / (2.29) | | | | |
| PACKAGING: | | PK-6373-001 | | | | |
| CKTS | MATERIAL NUMBER | ENG NUMBER | CKTS | MATERIAL NUMBER | ENG NUMBER | VOID CKT |
| 2 | 22-23-6023 | A-6373-02AM102 | | | | |
| 3 | 22-23-6033 | A-6373-03AM102 | | | | |
| 4 | 22-23-6043 | A-6373-04AM102 | | | | |
| 5 | 22-23-6053 | A-6373-05AM102 | | | | |
| 6 | 22-23-6063 | A-6373-06AM102 | | | | |
| 7 | 22-23-6073 | A-6373-07AM102 | | | | |
| 8 | 22-23-6083 | A-6373-08AM102 | | | | |
| 9 | 22-23-6093 | A-6373-09AM102 | | | | |
| 10 | 22-23-6103 | A-6373-10AM102 | | | | |
| 11 | 22-23-6113 | A-6373-11AM102 | | | | |
| 12 | 22-23-6123 | A-6373-12AM102 | | | | |
| 13 | 22-23-6133 | A-6373-13AM102 | | | | |
| 14 | 22-23-6143 | A-6373-14AM102 | | | | |
| 15 | 22-23-6153 | A-6373-15AM102 | | | | |
| 16 | 22-23-6163 | A-6373-16AM102 | | | | |
| 17 | 22-23-6173 | A-6373-17AM102 | | | | |
| 18 | 22-23-6183 | A-6373-18AM102 | | | | |
| 19 | 22-23-6193 | A-6373-19AM102 | | | | |
| 20 | 22-23-6203 | A-6373-20AM102 | | | | |
| 21 | 22-23-6213 | A-6373-21AM102 | | | | |
| 22 | 22-23-6223 | A-6373-22AM102 | | | | |
| 23 | 22-23-6233 | A-6373-23AM102 | | | | |
| 24 | 22-23-6243 | A-6373-24AM102 | | | | |
| 25 | 22-23-6253 | A-6373-25AM102 | | | | |
| 26 | 22-23-6263 | A-6373-26AM102 | | | | |
| 27 | 22-23-6273 | A-6373-27AM102 | | | | |
| 28 | 22-23-6283 | A-6373-28AM102 | | | | |

| GROUP: | | A-6373-NAM501-* | | | | |
|---------------|-----------------|-----------------|------|-----------------|------------|----------|
| PIN NUMBER: | | 2766-69(501) | | | | |
| PIN LENGTH: L | | .515 / (13.08) | | | | |
| MATING: M | | .300 / (7.62) | | | | |
| PC TAIL: P | | .090 / (2.29) | | | | |
| PACKAGING: | | PK-6373-001 | | | | |
| CKTS | MATERIAL NUMBER | ENG NUMBER | CKTS | MATERIAL NUMBER | ENG NUMBER | VOID CKT |
| 2 | 22-23-6025 | A-6373-02AM501 | | | | |
| 3 | 22-23-6035 | A-6373-03AM501 | | | | |
| 4 | 22-23-6045 | A-6373-04AM501 | | | | |
| 5 | 22-23-6055 | A-6373-05AM501 | | | | |
| 6 | 22-23-6065 | A-6373-06AM501 | | | | |
| 7 | 22-23-6075 | A-6373-07AM501 | | | | |
| 8 | 22-23-6085 | A-6373-08AM501 | | | | |
| 9 | 22-23-6095 | A-6373-09AM501 | | | | |
| 10 | 22-23-6105 | A-6373-10AM501 | | | | |
| 11 | 22-23-6115 | A-6373-11AM501 | | | | |
| 12 | 22-23-6125 | A-6373-12AM501 | | | | |
| 13 | 22-23-6135 | A-6373-13AM501 | | | | |
| 14 | 22-23-6145 | A-6373-14AM501 | | | | |
| 15 | 22-23-6155 | A-6373-15AM501 | | | | |
| 16 | 22-23-6165 | A-6373-16AM501 | | | | |
| 17 | 22-23-6175 | A-6373-17AM501 | | | | |
| 18 | 22-23-6185 | A-6373-18AM501 | | | | |
| 19 | 22-23-6195 | A-6373-19AM501 | | | | |
| 20 | 22-23-6205 | A-6373-20AM501 | | | | |
| 21 | 22-23-6215 | A-6373-21AM501 | | | | |
| 22 | 22-23-6225 | A-6373-22AM501 | | | | |
| 23 | 22-23-6235 | A-6373-23AM501 | | | | |
| 24 | 22-23-6245 | A-6373-24AM501 | | | | |
| 25 | 22-23-6255 | A-6373-25AM501 | | | | |
| 26 | 22-23-6265 | A-6373-26AM501 | | | | |
| 27 | 22-23-6275 | A-6373-27AM501 | | | | |
| 28 | 22-23-6285 | A-6373-28AM501 | | | | |

| | | | | |
|---|------|--|--|--------------------------------------|
| BA9 | REV: | ECR/ECN INFORMATION: | KK 100 HEADER ASSEMBLY FRICTION LOCK SOLID BODY | <u>SHEET No.</u> - 13 - |
| | | EC No.: UCP2007-1744 | | |
| | | DATE: 1/24/2007 | | |
| <u>DOCUMENT NUMBER:</u> SD - 6373 - 001 | | <u>CREATED / REVISED BY:</u> ADERR | <u>CHECKED BY:</u> LSCHMIDT | <u>APPROVED BY:</u> FSMITH |

| GROUP: | | A-6373-NAN501-* | | | | |
|---------------|-----------------|-----------------|------|-----------------|------------|----------|
| PIN NUMBER: | | 2766-28(501) | | | | |
| PIN LENGTH: L | | .625 / (15.88) | | | | |
| MATING: M | | .295 / (7.49) | | | | |
| PC TAIL: P | | .205 / (5.21) | | | | |
| PACKAGING: | | PK-6373-001 | | | | |
| CKTS | MATERIAL NUMBER | ENG NUMBER | CKTS | MATERIAL NUMBER | ENG NUMBER | VOID CKT |
| 2 | | A-6373-02AN501 | | | | |
| 3 | | A-6373-03AN501 | | | | |
| 4 | 22-23-6047 | A-6373-04AN501 | | | | |
| 5 | | A-6373-05AN501 | | | | |
| 6 | | A-6373-06AN501 | | | | |
| 7 | | A-6373-07AN501 | | | | |
| 8 | | A-6373-08AN501 | | | | |
| 9 | | A-6373-09AN501 | | | | |
| 10 | | A-6373-10AN501 | | | | |
| 11 | | A-6373-11AN501 | | | | |
| 12 | | A-6373-12AN501 | | | | |
| 13 | | A-6373-13AN501 | | | | |
| 14 | | A-6373-14AN501 | | | | |
| 15 | | A-6373-15AN501 | | | | |
| 16 | | A-6373-16AN501 | | | | |
| 17 | | A-6373-17AN501 | | | | |
| 18 | | A-6373-18AN501 | | | | |
| 19 | | A-6373-19AN501 | | | | |
| 20 | | A-6373-20AN501 | | | | |
| 21 | | A-6373-21AN501 | | | | |
| 22 | | A-6373-22AN501 | | | | |
| 23 | | A-6373-23AN501 | | | | |
| 24 | | A-6373-24AN501 | | | | |
| 25 | | A-6373-25AN501 | | | | |
| 26 | | A-6373-26AN501 | | | | |
| 27 | | A-6373-27AN501 | | | | |
| 28 | | A-6373-28AN501 | | | | |

| GROUP: | | A-6373-NAB501-* | | | | |
|---------------|-----------------|-----------------|------|-----------------|------------|----------|
| PIN NUMBER: | | 2766-54(501) | | | | |
| PIN LENGTH: L | | .703 / (17.86) | | | | |
| MATING: M | | .289 / (7.34) | | | | |
| PC TAIL: P | | .289 / (7.34) | | | | |
| PACKAGING: | | PK-6373-001 | | | | |
| CKTS | MATERIAL NUMBER | ENG NUMBER | CKTS | MATERIAL NUMBER | ENG NUMBER | VOID CKT |
| 2 | 50-29-1746 | A-6373-02AB501 | | | | |
| 3 | | A-6373-03AB501 | | | | |
| 4 | | A-6373-04AB501 | | | | |
| 5 | | A-6373-05AB501 | | | | |
| 6 | | A-6373-06AB501 | | | | |
| 7 | | A-6373-07AB501 | | | | |
| 8 | 50-29-1741 | A-6373-08AB501 | | | | |
| 9 | | A-6373-09AB501 | | | | |
| 10 | 50-29-1742 | A-6373-10AB501 | | | | |
| 11 | | A-6373-11AB501 | | | | |
| 12 | | A-6373-12AB501 | | | | |
| 13 | | A-6373-13AB501 | | | | |
| 14 | | A-6373-14AB501 | | | | |
| 15 | | A-6373-15AB501 | | | | |
| 16 | | A-6373-16AB501 | | | | |
| 17 | | A-6373-17AB501 | | | | |
| 18 | | A-6373-18AB501 | | | | |
| 19 | | A-6373-19AB501 | | | | |
| 20 | | A-6373-20AB501 | | | | |
| 21 | | A-6373-21AB501 | | | | |
| 22 | | A-6373-22AB501 | | | | |
| 23 | | A-6373-23AB501 | | | | |
| 24 | | A-6373-24AB501 | | | | |
| 25 | | A-6373-25AB501 | | | | |
| 26 | | A-6373-26AB501 | | | | |
| 27 | | A-6373-27AB501 | | | | |
| 28 | | A-6373-28AB501 | | | | |

| | | | | |
|---|------------------------------------|--|---|--------------------------------------|
| REV: BA9 | <u>ECR/ECN INFORMATION:</u> | | <u>TITLE:</u> KK 100 HEADER ASSEMBLY FRICTION LOCK SOLID BODY | <u>SHEET No.</u> - 14 - |
| | <u>EC No.:</u> UCP2007-1744 | | | |
| | <u>DATE:</u> 1/24/2007 | | | |
| <u>DOCUMENT NUMBER:</u> SD - 6373 - 001 | | <u>CREATED / REVISED BY:</u> ADERR | <u>CHECKED BY:</u> LSCHMIDT | <u>APPROVED BY:</u> FSMITH |

| GROUP: | A-6373-NAN102-* | | | | | |
|---------------|-----------------|----------------|------|-----------------|------------------|----------|
| PIN NUMBER: | 2766-28(102) | | | | | |
| PIN LENGTH: L | .625 / (15.88) | | | | | |
| MATING: M | .295 / (7.49) | | | | | |
| PC TAIL: P | .205 / (5.21) | | | | | |
| PACKAGING: | PK-6373-001 | | | | | |
| CKTS | MATERIAL NUMBER | ENG NUMBER | CKTS | MATERIAL NUMBER | ENG NUMBER | VOID CKT |
| 2 | | | 9 | 50-34-8527 | A-6373-09AN102-7 | 7 |
| 3 | | | | | | |
| 4 | 50-36-1696 | A-6373-04AN102 | | | | |
| 5 | | | | | | |
| 6 | | | | | | |
| 7 | | | | | | |
| 8 | | | | | | |
| 9 | | | | | | |
| 10 | | | | | | |
| 11 | | | | | | |
| 12 | | | | | | |
| 13 | | | | | | |
| 14 | | | | | | |
| 15 | | | | | | |
| 16 | | | | | | |
| 17 | | | | | | |
| 18 | | | | | | |
| 19 | | | | | | |
| 20 | | | | | | |
| 21 | | | | | | |
| 22 | | | | | | |
| 23 | | | | | | |
| 24 | | | | | | |
| 25 | | | | | | |
| 26 | | | | | | |
| 27 | | | | | | |
| 28 | | | | | | |

| | | | | |
|---|------------------------------------|--|---|---------------------------------------|
| REV: BA9 | <u>ECR/ECN INFORMATION:</u> | | <u>TITLE:</u> KK 100 HEADER ASSEMBLY FRICTION LOCK SOLID BODY | <u>SHEET No.</u> - 15 - |
| | <u>EC No.:</u> UCP2007-1744 | | | |
| | <u>DATE:</u> 1/24/2007 | | | |
| <u>DOCUMENT NUMBER:</u> SD - 6373 - 001 | | <u>CREATED / REVISED BY:</u> ADERR | <u>CHECKED BY:</u> LSCHMIDT | <u>APPROVED BY:</u> FSMITH |