

Distributed by:

**JAMECO**<sup>®</sup>  
ELECTRONICS

**www.Jameco.com ♦ 1-800-831-4242**

The content and copyrights of the attached  
material are the property of its owner.

Jameco Part Number 796176

## FEATURES AND SPECIFICATIONS

### Features and Benefits

- Sizes 2 to 25 circuits
- End-to-end stackable
- Mating header must be long enough to accommodate board thickness
- See 42625 Series for high temperature version
- Thicker board hooks available

### Reference Information

Product Specification: PS-10-07

Packaging: Tray

UL File No.: E29179

CSA File No.: LR19980

Mates With: 4030, 4094, 4380, 42152, 42153, 42375,

42376 and 42377 headers and .025" square pins

Designed In: Inches

### Electrical

Voltage: 250V

Current: 2.5A max.\*

Contact Resistance: 20mΩ max.

Dielectric Withstanding Voltage: 1500V AC

Insulation Resistance: 500K MΩ min.

### Mechanical

Mating Force: 199g max.

Unmating Force: 57g min.

### Physical

Housing: Nylon, UL 94V-0

Contact: Brass (contact Molex for Phosphor Bronze)

Plating: See Table

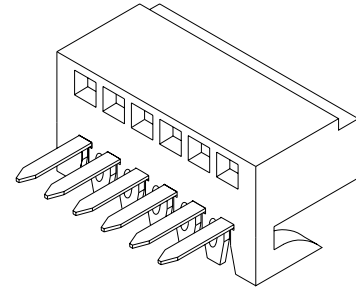
Operating Temperature: 0 to +75°C

**molex®** 2.54mm (.100") Pitch  
KK®

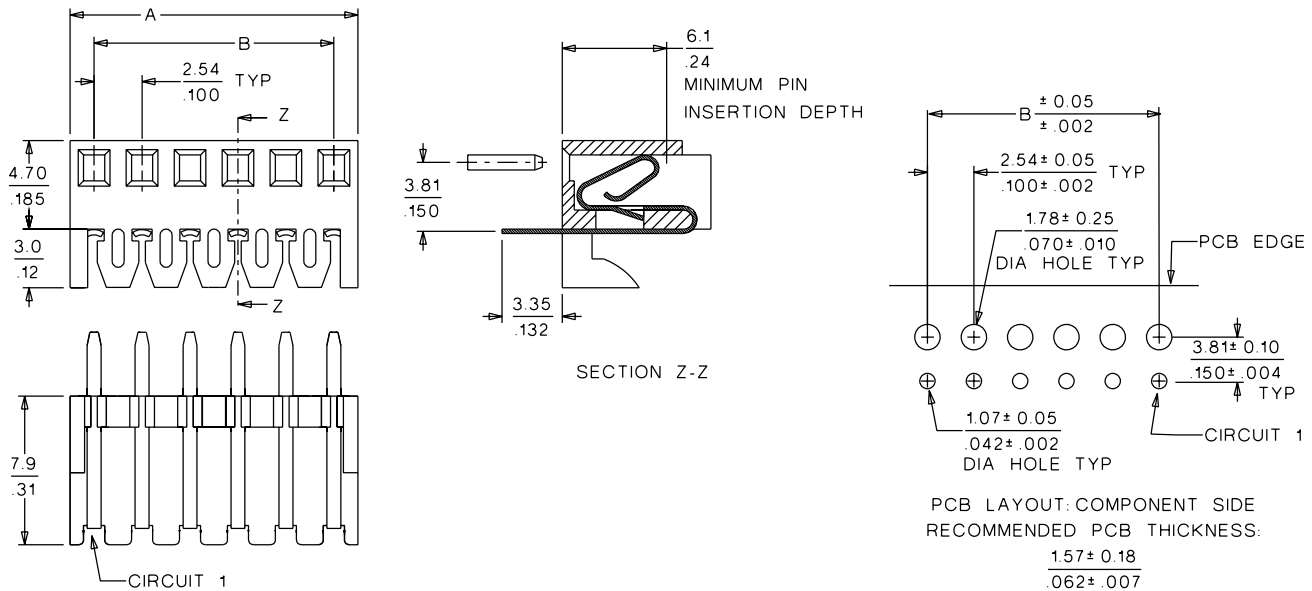
**PC Board Connector**

**4455**

**Bottom Entry**



## CATALOG DRAWING (FOR REFERENCE ONLY)



## ORDERING INFORMATION AND DIMENSIONS

Circuits	Order No.			Dimension	
	Tin	Gold	Select Gold	A	B
2	• 22-14-2024	• 22-17-2022	• 22-17-3022	4.98 (.196)	2.54 (.100)
3	• 22-14-2034	• 22-17-2032	• 22-17-3032	7.52 (.296)	5.08 (.200)
4	• 22-14-2044	• 22-17-2042	• 22-17-3042	10.06 (.396)	7.62 (.300)
5	• 22-14-2054	• 22-17-2052	• 22-17-3052	12.60 (.496)	10.16 (.400)
6	• 22-14-2064	• 22-17-2062	• 22-17-3062	15.14 (.596)	12.70 (.500)
7	• 22-14-2074	• 22-17-2072	• 22-17-3072	17.68 (.696)	15.24 (.600)
8	• 22-14-2084	• 22-17-2082	• 22-17-3082	20.22 (.796)	17.78 (.700)
9	• 22-14-2094	• 22-17-2092	• 22-17-3092	22.76 (.896)	20.32 (.800)
10	• 22-14-2104	• 22-17-2102	• 22-17-3102	25.30 (.996)	22.86 (.900)
11	• 22-14-2114	• 22-17-2112	• 22-17-3112	27.84 (1.096)	25.40 (1.000)
12	• 22-14-2124	• 22-17-2122	• 22-17-3122	30.38 (1.196)	27.94 (1.100)
13	• 22-14-2134	• 22-17-2132	• 22-17-3132	32.92 (1.296)	30.48 (1.200)

Circuits	Order No.			Dimension	
	Tin	Gold	Select Gold	A	B
14	• 22-14-2144	• 22-17-2142	• 22-17-3142	35.46 (1.396)	33.02 (1.300)
15	• 22-14-2154	• 22-17-2152	• 22-17-3152	38.00 (1.496)	35.56 (1.400)
16	• 22-14-2164	• 22-17-2162	• 22-17-3162	40.54 (1.596)	38.10 (1.500)
17	• 22-14-2174	• 22-17-2172	• 22-17-3172	43.08 (1.696)	40.64 (1.600)
18	• 22-14-2184	• 22-17-2182	• 22-17-3182	45.62 (1.796)	43.18 (1.700)
19	• 22-14-2194	• 22-17-2192	• 22-17-3192	48.16 (1.896)	45.72 (1.800)
20	• 22-14-2204	• 22-17-2202	• 22-17-3202	50.70 (1.996)	48.26 (1.900)
21	• 22-14-2214	• 22-17-2212	• 22-17-3212	53.24 (2.096)	50.80 (2.000)
22	• 22-14-2224	• 22-17-2222	• 22-17-3222	55.76 (2.196)	53.34 (2.100)
23	• 22-14-2234	• 22-17-2232	• 22-17-3232	58.32 (2.296)	55.88 (2.200)
24	• 22-14-2244	• 22-17-2242	• 22-17-3242	60.86 (2.396)	58.42 (2.300)
25	• 22-14-2254	• 22-17-2252	• 22-17-3252	63.40 (2.496)	60.96 (2.400)

• US Standard Product, available through Molex franchised distributors

\* Current rating is dependent upon PCB traces, Copper weight, solder, etc. (contact Molex for more information)



# PRODUCT SPECIFICATION

## 1.0 SCOPE

This Product Specification covers the following

- A. 2.50 mm centerline (pitch) 0.64 mm square pin headers
- B. 2.54 mm centerline (pitch) 0.64 mm square pin headers

when mated with either printed circuit board (PCB) connectors or connectors terminated with 22 to 28 AWG wire using crimp technology.

## 2.0 PRODUCT DESCRIPTION

### 2.1 PRODUCT NAME AND SERIES NUMBERS

Crimp Terminals: 4809, 2759, 41572, 6459, 40445, 8088

Crimp Housings: 2695, 5051, 6471

PCB Connectors: 7534, 4455

Headers: 3022, 3202, 3094, 3494, 6410, 7930, 7395, 90578

Wire to board connector : 7690

Other products conforming to this specification are noted on the individual drawings.

### 2.2 DIMENSIONS, MATERIALS, PLATINGS AND MARKINGS

Terminal Material: Brass or Phos. Bronze (for Max performance use phos bronze material.)

Housing: Nylon or Polyester

Pins: Brass or Phos. Bronze

For more information on dimensions, materials, and plating see the individual drawings.

### 2.3 SAFETY AGENCY APPROVALS

UL File Number ..... E29179

CSA .....LR19980

## 3.0 APPLICABLE DOCUMENTS AND SPECIFICATIONS

None

## 4.0 RATINGS

### 4.1 VOLTAGE

250 Volts

**4.2 CURRENT AND APPLICABLE WIRES** (Current is dependent on connector size, contact material, plating, ambient temperature, printed circuit board characteristics and related factors. Actual current rating is application dependent and should be evaluated for each application.)

AWG	Amps (Max)	Outside Insulation Diameter
22	4.00	See Drawings
24	3.75	See Drawings
26	3.50	See Drawings
28	3.00	See Drawings

### 4.3 TEMPERATURE (ambient + 30° temp rise)

Operating: 0°C to +75°C

Non-operating: - 40°C to +105°C

REVISION:	ECR/ECN INFORMATION:	TITLE:	SHEET No.
<b>A</b>	EC No: E2003 -0971 DATE: 2003 / 03 / 18	<b>PRODUCT SPECIFICATION 2.50mm &amp; 2.54mm CENTER KK CONNECTORS</b>	<b>1 of 5</b>
DOCUMENT NUMBER:	CREATED / REVISED BY:	CHECKED BY:	APPROVED BY:
<b>PS-99020-0088</b>	<b>B MAGUIRE</b>	<b>L Kiernan</b>	<b>M Wilhite</b>



# PRODUCT SPECIFICATION

## 5.0 PERFORMANCE

### 5.1 ELECTRICAL REQUIREMENTS

DESCRIPTION	TEST CONDITION	REQUIREMENT
Contact Resistance (Low Level)	Mate connectors: apply a maximum voltage of 20 mV and a current of 100 mA.	10 milliohms MAXIMUM [initial]
Contact Resistance of Wire Termination (Low Level)	Terminate the applicable wire to the terminal and measure wire using a voltage of 20 mV and a current of 100 mA.	2 milliohms MAXIMUM [initial]
Insulation Resistance	Unmate & unmount connectors: apply a voltage of 500 VDC between adjacent terminals and between terminals to ground.	1000 Megaohms MINIMUM
Dielectric Withstanding Voltage	Unmate connectors: apply a voltage of {two times the rated voltage plus 1000 volts} VAC for 1 minute between adjacent terminals and between terminals to ground.	No breakdown
Capacitance	Measure between adjacent terminals at 1 MHz.	2 picofarads MAXIMUM
Temperature Rise (via Current Cycling)	Mate connectors: measure the temperature rise at the rated current after: 1) 96 hours (steady state) 2) 240 hours (45 minutes ON and 15 minutes OFF per hour) 3) 96 hours (steady state)	Temperature rise: +30°C MAXIMUM

REVISION: <b>A</b>	ECR/ECN INFORMATION: EC No: <b>E2003 -0971</b> DATE: <b>2003 / 03 / 18</b>	TITLE: <b>PRODUCT SPECIFICATION 2.50mm &amp; 2.54mm CENTER KK CONNECTORS</b>	SHEET No. <b>2 of 5</b>
DOCUMENT NUMBER: <b>PS-99020-0088</b>	CREATED / REVISED BY: <b>B MAGUIRE</b>	CHECKED BY: <b>L Kiernan</b>	APPROVED BY: <b>M Wilhite</b>



# PRODUCT SPECIFICATION

## 5.2 MECHANICAL REQUIREMENTS

DESCRIPTION	TEST CONDITION	REQUIREMENT
Connector Mate and Unmate Forces	Per circuit when mated to a 0.635mm Sq. pin. Mate and unmate connector (male to female) at a rate of $25 \pm 6$ mm per minute.	1.95 N MAXIMUM insertion force & 0.56 N MINIMUM withdrawal force
Terminal Retention Force (in Housing)	Axial pullout force on the terminal in the housing at a rate of $25 \pm 6$ mm per minute. (Forces will change with platings and materials.)	17.8 N MINIMUM withdrawal force
Terminal Insertion Force (into Housing)	Apply an axial insertion force on the terminal at a rate of $25 \pm 6$ mm. (Forces will change with platings and materials.)	6.67 N MAXIMUM insertion force
Durability	Mate connectors up to 25 cycles at a maximum rate of 10 cycles per minute prior to Environmental Tests.	10 milliohms MAXIMUM (change from initial)
Vibration (Random)	Mate connectors and vibrate per EIA 364-28, test condition VII.	10 milliohms MAXIMUM (change from initial) & Discontinuity < 1 microsecond
Shock (Mechanical)	Mate connectors and shock at 50 g's with $\frac{1}{2}$ sine wave (11 milliseconds) shocks in the $\pm X, \pm Y, \pm Z$ axes (18 shocks total).	10 milliohms MAXIMUM (change from initial) & Discontinuity < 1 microsecond
Wire Pullout Force (Axial)	Apply an axial pullout force on the wire at a rate of $25 \pm 6$ mm. (For maximum performance use Molex application tooling with stranded tinned copper wire)	22 awg = 44 N 24 awg = 35 N 26 awg = 26 N 28 awg = 17 N 30 awg = 13 N
Normal Force	Apply a perpendicular force.	2.94 N (300 grams) average

REVISION: <b>A</b>	ECR/ECN INFORMATION: EC No: <b>E2003 -0971</b> DATE: <b>2003 / 03 / 18</b>	TITLE: <b>PRODUCT SPECIFICATION 2.50mm &amp; 2.54mm CENTER KK CONNECTORS</b>	SHEET No. <b>3 of 5</b>
DOCUMENT NUMBER: <b>PS-99020-0088</b>	CREATED / REVISED BY: <b>B MAGUIRE</b>	CHECKED BY: <b>L Kiernan</b>	APPROVED BY: <b>M Wilhite</b>



# PRODUCT SPECIFICATION

## 5.3 ENVIRONMENTAL REQUIREMENTS

DESCRIPTION	TEST CONDITION	REQUIREMENT										
Shock (Thermal)	Mate connectors; expose to 5 cycles of: <table border="1"> <thead> <tr> <th>Temperature °C</th> <th>Duration (Minutes)</th> </tr> </thead> <tbody> <tr> <td>-40 +0/-3</td> <td>30</td> </tr> <tr> <td>+25 ±10</td> <td>5 MAXIMUM</td> </tr> <tr> <td>+105 +3/-0</td> <td>30</td> </tr> <tr> <td>+25 ±10</td> <td>5 MAXIMUM</td> </tr> </tbody> </table>	Temperature °C	Duration (Minutes)	-40 +0/-3	30	+25 ±10	5 MAXIMUM	+105 +3/-0	30	+25 ±10	5 MAXIMUM	10 milliohms MAXIMUM (change from initial) & Visual: No Damage
Temperature °C	Duration (Minutes)											
-40 +0/-3	30											
+25 ±10	5 MAXIMUM											
+105 +3/-0	30											
+25 ±10	5 MAXIMUM											
Thermal Aging	Mate connectors; expose to: 96 hours at 105 ± 2°C	10 milliohms MAXIMUM (change from initial]) & Visual: No Damage										
Humidity (Steady State)	Mate connectors: expose to a temperature of 40 ± 2°C with a relative humidity of 90-95% for 96 hours.  Note: Remove surface moisture and air dry for 1 hour prior to measurements.	10 milliohms MAXIMUM (change from initial) & Dielectric Withstanding Voltage: No Breakdown at 500 VAC & Insulation Resistance: 1000 Megaohms MINIMUM & Visual: No Damage										
Humidity (Cyclic)	Mate connectors: cycle per EIA-364-31: 24 cycles at temperature 25 ± 3°C at 80 ± 5% relative humidity and 65 ± 3°C at 50 ± 5% relative humidity; dwell time of 1.0 hour; ramp time of 0.5 hours.  {Note: Remove surface moisture and air dry for 1 hour prior to measurements.}	10 milliohms MAXIMUM (change from initial) & Dielectric Withstanding Voltage: No Breakdown at 500 VAC & Insulation Resistance: 1000 Megaohms MINIMUM & Visual: No Damage										
Solderability	Per SMES-152	Solder coverage: 95% MINIMUM (per SMES-152)										

REVISION: <b>A</b>	ECR/ECN INFORMATION: EC No: <b>E2003 -0971</b> DATE: <b>2003 / 03 / 18</b>	TITLE: <b>PRODUCT SPECIFICATION 2.50mm &amp; 2.54mm CENTER KK CONNECTORS</b>	SHEET No. <b>4 of 5</b>
DOCUMENT NUMBER: <b>PS-99020-0088</b>	CREATED / REVISED BY: <b>B MAGUIRE</b>	CHECKED BY: <b>L Kiernan</b>	APPROVED BY: <b>M Wilhite</b>



# PRODUCT SPECIFICATION

## 5.3 ENVIRONMENTAL REQUIREMENTS

DESCRIPTION	TEST CONDITION	REQUIREMENT
Solder Resistance	Dip connector terminal tails in solder: Solder Duration: $5 \pm 0.5$ seconds; Solder Temperature: $230 \pm 5^\circ\text{C}$	Visual: No Damage to insulator material
Salt Spray	Mate connectors: Duration: 48 hours exposure; Atmosphere: salt spray from a 5% solution; Temperature: $35 +1/-2^\circ\text{C}$	10 milliohms MAXIMUM (change from initial) & Visual: No Damage
Cold Resistance	Mate connectors: Duration: 96 hours; Temperature: $-40 \pm 3^\circ\text{C}$	10 milliohms MAXIMUM (change from initial) & Visual: No Damage

## 6.0 PACKAGING

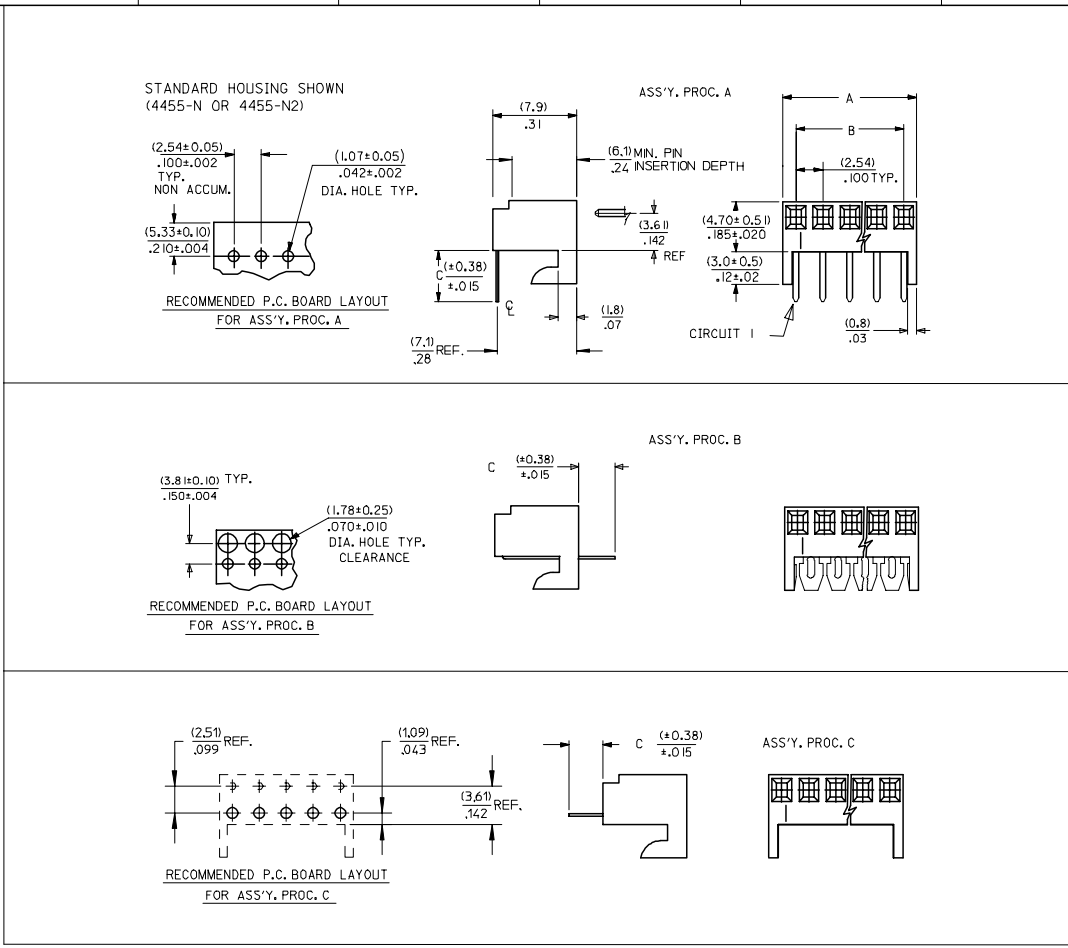
Parts shall be packaged to protect against damage during handling, transit and storage.

## 7.0 GAGES AND FIXTURES

## 8.0 OTHER

REVISION: <b>A</b>	ECR/ECN INFORMATION: EC No: <b>E2003 -0971</b> DATE: <b>2003 / 03 / 18</b>	TITLE: <b>PRODUCT SPECIFICATION 2.50mm &amp; 2.54mm CENTER KK CONNECTORS</b>	SHEET No. <b>5 of 5</b>
DOCUMENT NUMBER: <b>PS-99020-0088</b>	CREATED / REVISED BY: <b>B MAGUIRE</b>	CHECKED BY: <b>L Kiernan</b>	APPROVED BY: <b>M Wilhite</b>

	10	9	8	7	6	5	4	3	2	4455
NO. OF CKTS.	DIM. A	DIM. B								
1	(2.44±.15) .096±.006	—								
2	(4.98±.15) .196±.006	(2.54±.10) .100±.004								
3	(7.52±.15) .296±.006	(5.08±.10) .200±.004								
4	(10.06±.15) .396±.006	(7.62±.10) .300±.004								
5	(12.60±.18) .496±.007	(10.16±.13) .400±.005								
6	(15.14±.18) .596±.007	(12.70±.13) .500±.005								
7	(17.68±.20) .696±.008	(15.24±.15) .600±.006								
8	(20.22±.20) .796±.008	(17.78±.15) .700±.006								
9	(22.76±.20) .896±.008	(20.32±.15) .800±.006								
10	(25.30±.25) .996±.010	(22.86±.20) .900±.008								
11	(27.84±.25) 1.096±.010	(25.40±.20) 1.000±.008								
12	(30.38±.25) 1.196±.010	(27.94±.20) 1.100±.008								
13	(32.92±.25) 1.296±.010	(30.48±.20) 1.200±.008								
14	(35.46±.25) 1.396±.010	(33.02±.20) 1.300±.008								
15	(38.00±.28) 1.496±.011	(35.56±.23) 1.400±.009								
16	(40.54±.28) 1.596±.011	(38.10±.23) 1.500±.009								
17	(43.08±.28) 1.696±.011	(40.64±.23) 1.600±.009								
18	(45.62±.28) 1.796±.011	(43.18±.23) 1.700±.009								
19	(48.16±.28) 1.896±.011	(45.72±.23) 1.800±.009								
20	(50.70±.30) 1.996±.012	(48.26±.25) 1.900±.010								
21	(53.24±.30) 2.096±.012	(50.80±.25) 2.000±.010								
22	(55.78±.30) 2.196±.012	(53.34±.25) 2.100±.010								
23	(58.32±.30) 2.296±.012	(55.88±.25) 2.200±.010								
24	(60.86±.30) 2.396±.012	(58.42±.30) 2.300±.012								
25	(63.40±.38) 2.496±.015	(60.96±.30) 2.400±.012								



- HOUSING OPTION A  
4455-AN
- 4455-N HOUSING WITH CENTER HOOK
- HOUSING OPTION B  
4455-BN
- 4455-N HOUSING WITH RAMP AND POLARIZING
- HOUSING OPTION E  
4455-NHH
- 4455-N HOUSING WITH REINFORCED HOOKS
- HOUSING OPTION H  
4455-N2
- STANDARD HOUSING
- HOUSING OPTION P  
4455-NR
- 4455-N WITH RAMP (PCB HOOKS CUT OFF)
- HOUSING OPTION R  
4455-NR
- 4455-N WITH RAMP
- HOUSING OPTION W  
4455-N
- 4455-N-2 MOLDED VOID IN CKT 2 (PC BOARD HOOKS CUT OFF)
- HOUSING OPTION Y  
4455-N
- 4455-N WITH PC BOARD HOOKS CUT OFF

NOTES:

- MATERIAL: NYLON, UL 94V-0, COLOR: WHITE
- FINISH:
  - (122) - OVERALL TIN: (0.00381)/.000150 MIN. OVER NICKEL: (0.00076)/.000030 MIN.
  - (208) - SELECT GOLD: (0.000381)/.000015 MIN. SELECT TIN: (0.00254)/.000100 MIN.
  - OVERALL NICKEL UNDERPLATE: (0.00127)/.000050 MIN.
  - (228) - SELECT GOLD: (0.00076)/.000030 MIN. SELECT TIN: (0.00254)/.000100 MIN.
  - OVERALL NICKEL UNDERPLATE: (0.00127)/.000050 MIN.
  - (231) - SELECT GOLD: (0.00127)/.000050 MIN. SELECT TIN: (0.00254)/.000100 MIN.
  - OVERALL NICKEL UNDERPLATE: (0.00127)/.000050 MIN.
  - (565) - SELECT GOLD: (0.00051)/.000020 MIN. OVERALL NICKEL: (0.00076)/.000030 MIN.
  - OVERALL GOLD FLASH: (0.00005)/.000002 MIN.
  - (P909) - OVERALL TIN: (0.00254)/.000100 MIN.
- THE PRIMARY SHIPPING CARTON WILL BE LABELED "COMPLIANT TO RoHS DIRECTIVE 2002/95/EC AND ELV ANNEX II OF DIRECTIVE 2000/53/EC." CARTONS WITHOUT THIS LABEL MAY CONTAIN PRODUCT WITH TIN-LEAD PLATING.
- PARTS CONFORM TO PRODUCT SPECIFICATION PS-10-07.
- PACKAGING: SEE CHARTS.
- PARTS MUST CONFORM TO SOLDERABILITY SPEC #52.
- PARTS ARE STACKABLE END TO END ON (.254)/.100 CENTERS.

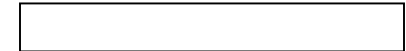
ADD DIMENSION EC NO: UCP2007-0731 DRWN:PRIDDER 2006/09/29 CHKD:ADER 2006/10/03 APPR:FSM/TH 2006/10/17 DESCRIPTION	QUALITY SYMBOLS	GENERAL TOLERANCES (UNLESS SPECIFIED)	DIMENSION STYLE	SCALE	DESIGN UNITS	THIRD ANGLE PROJECTION
	▽=0	4 PLACES ± --- ± ---	MM/IN	---	INCH	
	▽=0	3 PLACES ± --- ±.010	DRAWN BY	DATE	TITLE	
		2 PLACES ± 0.25 ±.015	SAMIEC	10/5/84	KK 100 PCB ASSY 4455 SERIES DWG	
	1 PLACE ± 0.36 ± ---	1 PLACE ± 0.25 ± ---	CHECKED BY	DATE		
	ANGULAR ±1/2°		PATEL	10/5/84		
			APPROVED BY	DATE		
			LENZ	10/5/84		
			MATERIAL NO.	DOCUMENT NO.		
			SEE CHART	SDA-4455		
			SIZE	THIS DRAWING CONTAINS INFORMATION THAT IS PROPRIETARY TO MOLEX INCORPORATED AND SHOULD NOT BE USED WITHOUT WRITTEN PERMISSION		
			B			
				SHEET NO.	1 OF 16	





# KK 100 PCB ASSY 2-25 CKT

## 4455 SERIES



SDA-4455- \* \* N \* \* - \*

ASSY PROCEDURE  
 A=RIGHT ANGLE  
 B=BOTTOM ENTRY  
 C=TOP ENTRY

HOUSING TYPE  
 A=4455-AN  
 B=4455-BN  
 E=4455-NHH  
 H=4455-N2  
 P=4455-NR (HOOKS CUT OFF)  
 R=4455-NR  
 W=4455-N-2 (HOOKS CUT OFF)  
 Y=4455-N (HOOKS CUT OFF)

NO OF CIRCUITS

TERMINAL TYPE

Code	Number	Material	Form
A	4316-4	Brass	Standard
B	6516-4	Phos Bronze	Standard
D	4316-3B	Brass	Std / V
G	4316-3	Brass	Standard
J	6516-3B	Phos Bronze	Std / V
L	6516-3C	Phos Bronze	Cat Ear / V
M	6516-4A	Phos Bronze	Cat Ear
S	30432-0200	Phos Bronze	Humpback
T	4316-4A	Brass	Cat Ear

PLATING  
 (SEE SHEET 1)

VOID LOCATION

Assy Proc:	RIGHT ANGLE
Hooks Cut:	NO
Housing No:	4455-N
Terminal No:	4316-4(P909)
Dim C:	3.35 / .132
Plating:	P909
Packaging:	PK-44646-001
Voids:	NONE

Assy Proc:	RIGHT ANGLE
Hooks Cut:	NO
Housing No:	4455-N
Terminal No:	4316-4(565)
Dim C:	3.35 / .132
Plating:	565
Packaging:	PK-44646-001
Voids:	NONE

Ckts	Material No	Engineer Number
2	22-15-2026	A-4455-AZ02A(P909)
3	22-15-2036	A-4455-AZ03A(P909)
4	22-15-2046	A-4455-AZ04A(P909)
5	22-15-2056	A-4455-AZ05A(P909)
6	22-15-2066	A-4455-AZ06A(P909)
7	22-15-2076	A-4455-AZ07A(P909)
8	22-15-2086	A-4455-AZ08A(P909)
9	22-15-2096	A-4455-AZ09A(P909)
10	22-15-2106	A-4455-AZ10A(P909)
11	22-15-2116	A-4455-AZ11A(P909)
12	22-15-2126	A-4455-AZ12A(P909)
13	22-15-2136	A-4455-AZ13A(P909)
14	22-15-2146	A-4455-AZ14A(P909)
15	22-15-2156	A-4455-AZ15A(P909)
16	22-15-2166	A-4455-AZ16A(P909)
17	22-15-2176	A-4455-AZ17A(P909)
18	22-15-2186	A-4455-AZ18A(P909)
19	22-15-2196	A-4455-AZ19A(P909)
20	22-15-2206	A-4455-AZ20A(P909)
21	22-15-2216	A-4455-AZ21A(P909)
22	22-15-2226	A-4455-AZ22A(P909)
23	22-15-2236	A-4455-AZ23A(P909)
24	22-15-2246	A-4455-AZ24A(P909)
25	22-15-2256	A-4455-AZ25A(P909)

Material No	Engineer Number
22-16-2021	A-4455-AZ02A(565)
22-16-2031	A-4455-AZ03A(565)
22-16-2041	A-4455-AZ04A(565)
22-16-2051	A-4455-AZ05A(565)
22-16-2061	A-4455-AZ06A(565)
22-16-2071	A-4455-AZ07A(565)
22-16-2081	A-4455-AZ08A(565)
22-16-2091	A-4455-AZ09A(565)
22-16-2101	A-4455-AZ10A(565)
22-16-2111	A-4455-AZ11A(565)
22-16-2121	A-4455-AZ12A(565)
22-16-2131	A-4455-AZ13A(565)
22-16-2141	A-4455-AZ14A(565)
22-16-2151	A-4455-AZ15A(565)
22-16-2161	A-4455-AZ16A(565)
22-16-2171	A-4455-AZ17A(565)
22-16-2181	A-4455-AZ18A(565)
22-16-2191	A-4455-AZ19A(565)
22-16-2201	A-4455-AZ20A(565)
22-16-2211	A-4455-AZ21A(565)
22-16-2221	A-4455-AZ22A(565)
22-16-2231	A-4455-AZ23A(565)
22-16-2241	A-4455-AZ24A(565)
22-16-2251	A-4455-AZ25A(565)

<b>REV:</b> <b>D2</b>	<b>ECR/ECN INFORMATION:</b> EC No.: <b>UCP2006-2779</b> DATE: <b>5/26/2006</b>	<b>TITLE:</b> <h1 style="text-align: center;">KK 100 PCB ASSY 4455 SERIES DWG</h1>	<b>SHEET No.</b> <b>- 2 -</b>
<b>DOCUMENT NUMBER:</b> <b>SDA-4455</b>		<b>CREATED / REVISED BY:</b> <b>ADERR</b>	<b>CHECKED BY:</b> <b>AELHAG</b>
		<b>APPROVED BY:</b> <b>FSMITH</b>	



# KK 100 PCB ASSY 2-25 CKT 4455 SERIES

STANDARD PRODUCT

Assy Proc:	RIGHT ANGLE	Assy Proc:	BOTTOM ENTRY	Assy Proc:	BOTTOM ENTRY	Assy Proc:	BOTTOM ENTRY
Hooks Cut:	NO	Hooks Cut:	NO	Hooks Cut:	NO	Hooks Cut:	NO
Housing No:	4455-N	Housing No:	4455-N2	Housing No:	4455-N2	Housing No:	4455-N2
Terminal No:	4316-4(208)	Terminal No:	4316-3B(P909)	Terminal No:	4316-3B(565)	Terminal No:	4316-3B(208)
Dim C:	3.35 / .132	Dim C:	3.35 / .132	Dim C:	3.35 / .132	Dim C:	3.35 / .132
Plating:	208	Plating:	P909	Plating:	565	Plating:	208
Packaging:	PK-44646-001	Packaging:	PK-44646-001	Packaging:	PK-44646-001	Packaging:	PK-44646-001
Voids:	NONE	Voids:	NONE	Voids:	NONE	Voids:	NONE

Ckts	Material No	Engineer Number	Material No	Engineer Number	Material No	Engineer Number	Material No	Engineer Number
2	22-16-2020	A-4455-AZ02A(208)	22-14-2024	A-4455-BH02D(P909)	22-17-2022	A-4455-BH02D(565)	22-17-3022	A-4455-BH02D(208)
3	22-16-2030	A-4455-AZ 03 A(208)	22-14-2034	A-4455-BH 03 D(P909)	22-17-2032	A-4455-BH 03 D(565)	22-17-3032	A-4455-BH 03 D(208)
4	22-16-2040	A-4455-AZ 04 A(208)	22-14-2044	A-4455-BH 04 D(P909)	22-17-2042	A-4455-BH 04 D(565)	22-17-3042	A-4455-BH 04 D(208)
5	22-16-2050	A-4455-AZ 05 A(208)	22-14-2054	A-4455-BH 05 D(P909)	22-17-2052	A-4455-BH 05 D(565)	22-17-3052	A-4455-BH 05 D(208)
6	22-16-2060	A-4455-AZ 06 A(208)	22-14-2064	A-4455-BH 06 D(P909)	22-17-2062	A-4455-BH 06 D(565)	22-17-3062	A-4455-BH 06 D(208)
7	22-16-2070	A-4455-AZ 07 A(208)	22-14-2074	A-4455-BH 07 D(P909)	22-17-2072	A-4455-BH 07 D(565)	22-17-3072	A-4455-BH 07 D(208)
8	22-16-2080	A-4455-AZ 08 A(208)	22-14-2084	A-4455-BH 08 D(P909)	22-17-2082	A-4455-BH 08 D(565)	22-17-3082	A-4455-BH 08 D(208)
9	22-16-2090	A-4455-AZ 09 A(208)	22-14-2094	A-4455-BH 09 D(P909)	22-17-2092	A-4455-BH 09 D(565)	22-17-3092	A-4455-BH 09 D(208)
10	22-16-2100	A-4455-AZ 10 A(208)	22-14-2104	A-4455-BH 10 D(P909)	22-17-2102	A-4455-BH 10 D(565)	22-17-3102	A-4455-BH 10 D(208)
11	22-16-2110	A-4455-AZ 11 A(208)	22-14-2114	A-4455-BH 11 D(P909)	22-17-2112	A-4455-BH 11 D(565)	22-17-3112	A-4455-BH 11 D(208)
12	22-16-2120	A-4455-AZ 12 A(208)	22-14-2124	A-4455-BH 12 D(P909)	22-17-2122	A-4455-BH 12 D(565)	22-17-3122	A-4455-BH 12 D(208)
13	22-16-2130	A-4455-AZ 13 A(208)	22-14-2134	A-4455-BH 13 D(P909)	22-17-2132	A-4455-BH 13 D(565)	22-17-3132	A-4455-BH 13 D(208)
14	22-16-2140	A-4455-AZ 14 A(208)	22-14-2144	A-4455-BH 14 D(P909)	22-17-2142	A-4455-BH 14 D(565)	22-17-3142	A-4455-BH 14 D(208)
15	22-16-2150	A-4455-AZ 15 A(208)	22-14-2154	A-4455-BH 15 D(P909)	22-17-2152	A-4455-BH 15 D(565)	22-17-3152	A-4455-BH 15 D(208)
16	22-16-2160	A-4455-AZ 16 A(208)	22-14-2164	A-4455-BH 16 D(P909)	22-17-2162	A-4455-BH 16 D(565)	22-17-3162	A-4455-BH 16 D(208)
17	22-16-2170	A-4455-AZ 17 A(208)	22-14-2174	A-4455-BH 17 D(P909)	22-17-2172	A-4455-BH 17 D(565)	22-17-3172	A-4455-BH 17 D(208)
18	22-16-2180	A-4455-AZ 18 A(208)	22-14-2184	A-4455-BH 18 D(P909)	22-17-2182	A-4455-BH 18 D(565)	22-17-3182	A-4455-BH 18 D(208)
19	22-16-2190	A-4455-AZ 19 A(208)	22-14-2194	A-4455-BH 19 D(P909)	22-17-2192	A-4455-BH 19 D(565)	22-17-3192	A-4455-BH 19 D(208)
20	22-16-2200	A-4455-AZ 20 A(208)	22-14-2204	A-4455-BH 20 D(P909)	22-17-2202	A-4455-BH 20 D(565)	22-17-3202	A-4455-BH 20 D(208)
21	22-16-2210	A-4455-AZ 21 A(208)	22-14-2214	A-4455-BH 21 D(P909)	22-17-2212	A-4455-BH 21 D(565)	22-17-3212	A-4455-BH 21 D(208)
22	22-16-2220	A-4455-AZ 22 A(208)	22-14-2224	A-4455-BH 22 D(P909)	22-17-2222	A-4455-BH 22 D(565)	22-17-3222	A-4455-BH 22 D(208)
23	22-16-2230	A-4455-AZ 23 A(208)	22-14-2234	A-4455-BH 23 D(P909)	22-17-2232	A-4455-BH 23 D(565)	22-17-3232	A-4455-BH 23 D(208)
24	22-16-2240	A-4455-AZ 24 A(208)	22-14-2244	A-4455-BH 24 D(P909)	22-17-2242	A-4455-BH 24 D(565)	22-17-3242	A-4455-BH 24 D(208)
25	22-16-2250	A-4455-AZ 25 A(208)	22-14-2254	A-4455-BH 25 D(P909)	22-17-2252	A-4455-BH 25 D(565)	22-17-3252	A-4455-BH 25 D(208)

<b>REV:</b> <b>D2</b>	<b>ECR/ECN INFORMATION:</b> EC No.: <b>UCP2006-2779</b> DATE: <b>5/26/2006</b>	<b>TITLE:</b> <b>KK 100 PCB ASSY 4455 SERIES DWG</b>	<b>SHEET No.</b> <b>- 3 -</b>
<b>DOCUMENT NUMBER:</b> <b>SDA-4455</b>		<b>CREATED / REVISED BY:</b> <b>ADERR</b>	<b>CHECKED BY:</b> <b>AELHAG</b>
		<b>APPROVED BY:</b> <b>FSMITH</b>	



# KK 100 PCB ASSY 2-25 CKT

## 4455 SERIES



	Assy Proc:	TOP ENTRY		Assy Proc:	TOP ENTRY		Assy Proc:	TOP ENTRY
	Hooks Cut:	NO		Hooks Cut:	NO		Hooks Cut:	NO
	Housing No:	4455-N		Housing No:	4455-N		Housing No:	4455-N
	Terminal No:	4316-4(P909)		Terminal No:	4316-4(565)		Terminal No:	4316-4(208)
	Dim C:	3.35 / .132		Dim C:	3.35 / .132		Dim C:	3.35 / .132
	Plating:	P909		Plating:	565		Plating:	208
	Packaging:	PK-44646-001		Packaging:	PK-44646-001		Packaging:	PK-44646-001
	Voids:	NONE		Voids:	NONE		Voids:	NONE
Ckts	Material No	Engineer Number		Material No	Engineer Number		Material No	Engineer Number
2	22-02-2025	A-4455-CZ02A(P909)		22-18-2023	A-4455-CZ02A(565)		22-18-2021	A-4455-CZ02A(208)
3	22-02-2035	A-4455-CZ 03A(P909)		22-18-2033	A-4455-CZ 03 A(565)		22-18-2031	A-4455-CZ 03 A(208)
4	22-02-2045	A-4455-CZ 04A(P909)		22-18-2043	A-4455-CZ 04 A(565)		22-18-2041	A-4455-CZ 04 A(208)
5	22-02-2055	A-4455-CZ 05A(P909)		22-18-2053	A-4455-CZ 05 A(565)		22-18-2051	A-4455-CZ 05 A(208)
6	22-02-2065	A-4455-CZ 06A(P909)		22-18-2063	A-4455-CZ 06 A(565)		22-18-2061	A-4455-CZ 06 A(208)
7	22-02-2075	A-4455-CZ 07A(P909)		22-18-2073	A-4455-CZ 07 A(565)		22-18-2071	A-4455-CZ 07 A(208)
8	22-02-2085	A-4455-CZ 08 A(P909)		22-18-2083	A-4455-CZ 08 A(565)		22-18-2081	A-4455-CZ 08 A(208)
9	22-02-2095	A-4455-CZ 09 A(P909)		22-18-2093	A-4455-CZ 09 A(565)		22-18-2091	A-4455-CZ 09 A(208)
10	22-02-2105	A-4455-CZ 10 A(P909)		22-18-2103	A-4455-CZ 10 A(565)		22-18-2101	A-4455-CZ 10 A(208)
11	22-02-2115	A-4455-CZ 11 A(P909)		22-18-2113	A-4455-CZ 11 A(565)		22-18-2111	A-4455-CZ 11 A(208)
12	22-02-2125	A-4455-CZ 12 A(P909)		22-18-2123	A-4455-CZ 12 A(565)		22-18-2121	A-4455-CZ 12 A(208)
13	22-02-2135	A-4455-CZ 13 A(P909)		22-18-2133	A-4455-CZ 13 A(565)		22-18-2131	A-4455-CZ 13 A(208)
14	22-02-2145	A-4455-CZ 14 A(P909)		22-18-2143	A-4455-CZ 14 A(565)		22-18-2141	A-4455-CZ 14 A(208)
15	22-02-2155	A-4455-CZ 15 A(P909)		22-18-2153	A-4455-CZ 15 A(565)		22-18-2151	A-4455-CZ 15 A(208)
16	22-02-2165	A-4455-CZ 16 A(P909)		22-18-2163	A-4455-CZ 16 A(565)		22-18-2161	A-4455-CZ 16 A(208)
17	22-02-2175	A-4455-CZ 17 A(P909)		22-18-2173	A-4455-CZ 17 A(565)		22-18-2171	A-4455-CZ 17 A(208)
18	22-02-2185	A-4455-CZ 18 A(P909)		22-18-2183	A-4455-CZ 18 A(565)		22-18-2181	A-4455-CZ 18 A(208)
19	22-02-2195	A-4455-CZ 19 A(P909)		22-18-2193	A-4455-CZ 19 A(565)		22-18-2191	A-4455-CZ 19 A(208)
20	22-02-2205	A-4455-CZ 20 A(P909)		22-18-2203	A-4455-CZ 20 A(565)		22-18-2201	A-4455-CZ 20 A(208)
21	22-02-2215	A-4455-CZ 21 A(P909)		22-18-2213	A-4455-CZ 21 A(565)		22-18-2211	A-4455-CZ 21 A(208)
22	22-02-2225	A-4455-CZ 22 A(P909)		22-18-2223	A-4455-CZ 22 A(565)		22-18-2221	A-4455-CZ 22 A(208)
23	22-02-2235	A-4455-CZ 23 A(P909)		22-18-2233	A-4455-CZ 23 A(565)		22-18-2231	A-4455-CZ 23 A(208)
24	22-02-2245	A-4455-CZ 24 A(P909)		22-18-2243	A-4455-CZ 24 A(565)		22-18-2241	A-4455-CZ 24 A(208)
25	22-02-2255	A-4455-CZ 25 A(P909)		22-18-2253	A-4455-CZ 25 A(565)		22-18-2251	A-4455-CZ 25 A(208)

<b>REV:</b>	<b>ECR/ECN INFORMATION:</b>	<b>TITLE:</b>	<b>KK 100 PCB ASSY 4455 SERIES DWG</b>		<b>SHEET No.</b>
<b>D2</b>	EC No.: <b>UCP2006-2779</b>				<b>- 4 -</b>
	DATE: <b>5/26/2006</b>				
<b>DOCUMENT NUMBER:</b>		<b>CREATED / REVISED BY:</b>	<b>CHECKED BY:</b>	<b>APPROVED BY:</b>	
<b>SDA-4455</b>		<b>ADERR</b>	<b>AELHAG</b>	<b>FSMITH</b>	



# KK 100 PCB ASSY 2-25 CKT

## 4455 SERIES

Ckts	Assy Proc: RIGHT ANGLE		Assy Proc: RIGHT ANGLE		Assy Proc: RIGHT ANGLE		Assy Proc: BOTTOM ENTRY	
	Hooks Cut:	NO	Hooks Cut:	NO	Hooks Cut:	NO	Hooks Cut:	NO
	Housing No:	4455-N	Housing No:	4455-N	Housing No:	4455-N	Housing No:	4455-N2
	Terminal No:	6516-4(P909)	Terminal No:	6516-4(565)	Terminal No:	6516-4(208)	Terminal No:	6516-3B(122)
	Dim C:	3.35 / .132	Dim C:	3.35 / .132	Dim C:	3.35 / .132	Dim C:	3.35 / .132
	Plating:	P909	Plating:	565	Plating:	208	Plating:	122
	Packaging:	PK-44646-001	Packaging:	PK-44646-001	Packaging:	PK-44646-001	Packaging:	PK-44646-001
	Voids:	NONE	Voids:	NONE	Voids:	NONE	Voids:	NONE
	Material No	Engineer Number	Material No	Engineer Number	Material No	Engineer Number	Material No	Engineer Number
2	22-15-4025	A-4455-AZ02B(P909)	22-16-2024	A-4455-AZ02B(565)		A-4455-AZ02B(208)	22-14-2022	A-4455-BH02J(122)
3	22-15-4035	A-4455-AZ 03 B(P909)	22-16-2034	A-4455-AZ 03 B(565)		A-4455-AZ 03 B(208)	22-14-2032	A-4455-BH 03 J(122)
4	22-15-4045	A-4455-AZ 04 B(P909)	22-16-2044	A-4455-AZ 04 B(565)		A-4455-AZ 04 B(208)	22-14-2042	A-4455-BH 04 J(122)
5	22-15-4055	A-4455-AZ 05 B(P909)	22-16-2054	A-4455-AZ 05 B(565)		A-4455-AZ 05 B(208)	22-14-2052	A-4455-BH 05 J(122)
6	22-15-4065	A-4455-AZ 06 B(P909)	22-16-2064	A-4455-AZ 06 B(565)		A-4455-AZ 06 B(208)	22-14-2062	A-4455-BH 06 J(122)
7	22-15-4075	A-4455-AZ 07 B(P909)	22-16-2074	A-4455-AZ 07 B(565)		A-4455-AZ 07 B(208)	22-14-2072	A-4455-BH 07 J(122)
8	22-15-4085	A-4455-AZ 08 B(P909)	22-16-2084	A-4455-AZ 08 B(565)		A-4455-AZ 08 B(208)	22-14-2082	A-4455-BH 08 J(122)
9	22-15-4095	A-4455-AZ 09 B(P909)	22-16-2094	A-4455-AZ 09 B(565)		A-4455-AZ 09 B(208)	22-14-2092	A-4455-BH 09 J(122)
10	22-15-4105	A-4455-AZ 10 B(P909)	22-16-2104	A-4455-AZ 10 B(565)		A-4455-AZ 10 B(208)	22-14-2102	A-4455-BH 10 J(122)
11	22-15-4115	A-4455-AZ 11 B(P909)	22-16-2114	A-4455-AZ 11 B(565)		A-4455-AZ 11 B(208)	22-14-2112	A-4455-BH 11 J(122)
12	22-15-4125	A-4455-AZ 12 B(P909)	22-16-2124	A-4455-AZ 12 B(565)		A-4455-AZ 12 B(208)	22-14-2122	A-4455-BH 12 J(122)
13	22-15-4135	A-4455-AZ 13 B(P909)	22-16-2134	A-4455-AZ 13 B(565)		A-4455-AZ 13 B(208)	22-14-2132	A-4455-BH 13 J(122)
14	22-15-4145	A-4455-AZ 14 B(P909)	22-16-2144	A-4455-AZ 14 B(565)		A-4455-AZ 14 B(208)	22-14-2142	A-4455-BH 14 J(122)
15	22-15-4155	A-4455-AZ 15 B(P909)	22-16-2154	A-4455-AZ 15 B(565)		A-4455-AZ 15 B(208)	22-14-2152	A-4455-BH 15 J(122)
16	22-15-4165	A-4455-AZ 16 B(P909)	22-16-2164	A-4455-AZ 16 B(565)		A-4455-AZ 16 B(208)	22-14-2162	A-4455-BH 16 J(122)
17	22-15-4175	A-4455-AZ 17 B(P909)	22-16-2174	A-4455-AZ 17 B(565)		A-4455-AZ 17 B(208)	22-14-2172	A-4455-BH 17 J(122)
18	22-15-4185	A-4455-AZ 18 B(P909)	22-16-2184	A-4455-AZ 18 B(565)		A-4455-AZ 18 B(208)	22-14-2182	A-4455-BH 18 J(122)
19	22-15-4195	A-4455-AZ 19 B(P909)	22-16-2194	A-4455-AZ 19 B(565)		A-4455-AZ 19 B(208)	22-14-2192	A-4455-BH 19 J(122)
20	22-15-4205	A-4455-AZ 20 B(P909)	22-16-2204	A-4455-AZ 20 B(565)		A-4455-AZ 20 B(208)	22-14-2202	A-4455-BH 20 J(122)
21	22-15-4215	A-4455-AZ 21 B(P909)	22-16-2214	A-4455-AZ 21 B(565)		A-4455-AZ 21 B(208)	22-14-2212	A-4455-BH 21 J(122)
22	22-15-4225	A-4455-AZ 22 B(P909)	22-16-2224	A-4455-AZ 22 B(565)		A-4455-AZ 22 B(208)	22-14-2222	A-4455-BH 22 J(122)
23	22-15-4235	A-4455-AZ 23 B(P909)	22-16-2234	A-4455-AZ 23 B(565)		A-4455-AZ 23 B(208)	22-14-2232	A-4455-BH 23 J(122)
24	22-15-4245	A-4455-AZ 24 B(P909)	22-16-2244	A-4455-AZ 24 B(565)		A-4455-AZ 24 B(208)	22-14-2242	A-4455-BH 24 J(122)
25	22-15-4255	A-4455-AZ 25 B(P909)	22-16-2254	A-4455-AZ 25 B(565)		A-4455-AZ 25 B(208)	22-14-2252	A-4455-BH 25 J(122)

<b>REV:</b> <b>D2</b>	<b>ECR/ECN INFORMATION:</b> EC No.: <b>UCP2006-2779</b> DATE: <b>5/26/2006</b>	<b>TITLE:</b>	<b>KK 100 PCB ASSY 4455 SERIES DWG</b>	<b>SHEET No.</b>  <b>- 5 -</b>
<b>DOCUMENT NUMBER:</b> <b>SDA-4455</b>		<b>CREATED / REVISED BY:</b> <b>ADERR</b>	<b>CHECKED BY:</b> <b>AELHAG</b>	<b>APPROVED BY:</b> <b>FSMITH</b>



# KK 100 PCB ASSY 2-25 CKT

## 4455 SERIES

Ckts	Assy Proc: BOTTOM ENTRY		Assy Proc: BOTTOM ENTRY		Assy Proc: TOP ENTRY		Assy Proc: TOP ENTRY	
	Material No	Engineer Number	Material No	Engineer Number	Material No	Engineer Number	Material No	Engineer Number
2	22-17-2021	A-4455-BH02J(565)		A-4455-BH02J(208)		A-4455-CZ02B(P909)	22-18-2022	A-4455-CZ02B(565)
3	22-17-2031	A-4455-BH 03 J(565)		A-4455-BH 03 J(208)		A-4455-CZ 03 B(P909)	22-18-2032	A-4455-CZ 03 B(565)
4	22-17-2041	A-4455-BH 04 J(565)		A-4455-BH 04 J(208)		A-4455-CZ 04 B(P909)	22-18-2042	A-4455-CZ 04 B(565)
5	22-17-2051	A-4455-BH 05 J(565)		A-4455-BH 05 J(208)		A-4455-CZ 05 B(P909)	22-18-2052	A-4455-CZ 05 B(565)
6	22-17-2061	A-4455-BH 06 J(565)		A-4455-BH 06 J(208)		A-4455-CZ 06 B(P909)	22-18-2062	A-4455-CZ 06 B(565)
7	22-17-2071	A-4455-BH 07 J(565)		A-4455-BH 07 J(208)		A-4455-CZ 07 B(P909)	22-18-2072	A-4455-CZ 07 B(565)
8	22-17-2081	A-4455-BH 08 J(565)		A-4455-BH 08 J(208)		A-4455-CZ 08 B(P909)	22-18-2082	A-4455-CZ 08 B(565)
9	22-17-2091	A-4455-BH 09 J(565)		A-4455-BH 09 J(208)		A-4455-CZ 09 B(P909)	22-18-2092	A-4455-CZ 09 B(565)
10	22-17-2101	A-4455-BH 10 J(565)		A-4455-BH 10 J(208)		A-4455-CZ 10 B(P909)	22-18-2102	A-4455-CZ 10 B(565)
11	22-17-2111	A-4455-BH 11 J(565)		A-4455-BH 11 J(208)		A-4455-CZ 11 B(P909)	22-18-2112	A-4455-CZ 11 B(565)
12	22-17-2121	A-4455-BH 12 J(565)		A-4455-BH 12 J(208)		A-4455-CZ 12 B(P909)	22-18-2122	A-4455-CZ 12 B(565)
13	22-17-2131	A-4455-BH 13 J(565)		A-4455-BH 13 J(208)		A-4455-CZ 13 B(P909)	22-18-2132	A-4455-CZ 13 B(565)
14	22-17-2141	A-4455-BH 14 J(565)		A-4455-BH 14 J(208)		A-4455-CZ 14 B(P909)	22-18-2142	A-4455-CZ 14 B(565)
15	22-17-2151	A-4455-BH 15 J(565)		A-4455-BH 15 J(208)		A-4455-CZ 15 B(P909)	22-18-2152	A-4455-CZ 15 B(565)
16	22-17-2161	A-4455-BH 16 J(565)		A-4455-BH 16 J(208)		A-4455-CZ 16 B(P909)	22-18-2162	A-4455-CZ 16 B(565)
17	22-17-2171	A-4455-BH 17 J(565)		A-4455-BH 17 J(208)		A-4455-CZ 17 B(P909)	22-18-2172	A-4455-CZ 17 B(565)
18	22-17-2181	A-4455-BH 18 J(565)		A-4455-BH 18 J(208)		A-4455-CZ 18 B(P909)	22-18-2182	A-4455-CZ 18 B(565)
19	22-17-2191	A-4455-BH 19 J(565)		A-4455-BH 19 J(208)		A-4455-CZ 19 B(P909)	22-18-2192	A-4455-CZ 19 B(565)
20	22-17-2201	A-4455-BH 20 J(565)		A-4455-BH 20 J(208)		A-4455-CZ 20 B(P909)	22-18-2202	A-4455-CZ 20 B(565)
21	22-17-2211	A-4455-BH 21 J(565)		A-4455-BH 21 J(208)		A-4455-CZ 21 B(P909)	22-18-2212	A-4455-CZ 21 B(565)
22	22-17-2221	A-4455-BH 22 J(565)		A-4455-BH 22 J(208)		A-4455-CZ 22 B(P909)	22-18-2222	A-4455-CZ 22 B(565)
23	22-17-2231	A-4455-BH 23 J(565)		A-4455-BH 23 J(208)		A-4455-CZ 23 B(P909)	22-18-2232	A-4455-CZ 23 B(565)
24	22-17-2241	A-4455-BH 24 J(565)		A-4455-BH 24 J(208)		A-4455-CZ 24 B(P909)	22-18-2242	A-4455-CZ 24 B(565)
25	22-17-2251	A-4455-BH 25 J(565)		A-4455-BH 25 J(208)		A-4455-CZ 25 B(P909)	22-18-2252	A-4455-CZ 25 B(565)

<b>REV:</b> <b>D2</b>	<b>ECR/ECN INFORMATION:</b> EC No.: <b>UCP2006-2779</b> DATE: <b>5/26/2006</b>	<b>TITLE:</b> <b>KK 100 PCB ASSY</b> <b>4455 SERIES DWG</b>	<b>SHEET No.</b> <b>- 6 -</b>
<b>DOCUMENT NUMBER:</b> <b>SDA-4455</b>		<b>CREATED / REVISED BY:</b> <b>ADERR</b>	<b>CHECKED BY:</b> <b>AELHAG</b>
		<b>APPROVED BY:</b> <b>FSMITH</b>	



# KK 100 PCB ASSY 2-25 CKT

## 4455 SERIES

Ckts	Assy Proc: TOP ENTRY		Assy Proc: RIGHT ANGLE		Assy Proc: RIGHT ANGLE		Assy Proc: RIGHT ANGLE	
	Material No	Engineer Number	Material No	Engineer Number	Material No	Engineer Number	Material No	Engineer Number
	Hooks Cut:	NO	Hooks Cut:	NO	Hooks Cut:	NO	Hooks Cut:	NO
	Housing No:	4455-4	Housing No:	4455-AN	Housing No:	4455-AN	Housing No:	4455-BN
	Terminal No:	6516-4(208)	Terminal No:	4316-4(P909)	Terminal No:	4316-4(208)	Terminal No:	4316-4(228)
	Dim C:	3.35 / .132	Dim C:	3.35 / .132	Dim C:	3.35 / .132	Dim C:	3.35 / .132
	Plating:	208	Plating:	P909	Plating:	208	Plating:	228
	Packaging:	PK-44646-001	Packaging:	PK-44646-001	Packaging:	PK-44646-001	Packaging:	PK-44646-001
	Voids:	NONE	Voids:	NONE	Voids:	NONE	Voids:	NONE
2		A-4455-CZ02B(208)						A-4455-AB02A(228)
3		A-4455-CZ 03B(208)						A-4455-AB 03 A(228)
4		A-4455-CZ 04 B(208)						A-4455-AB 04 A(228)
5		A-4455-CZ 05 B(208)						A-4455-AB 05 A(228)
6		A-4455-CZ 06 B(208)					50-34-8518	A-4455-AB 06 A(228)
7		A-4455-CZ 07 B(208)	22-15-2075	A-4455-AA07A(P909)	22-16-2076	A-4455-AA07A(208)		A-4455-AB 07 A(228)
8		A-4455-CZ 08 B(208)	22-15-2085	A-4455-AA 08 A(P909)	22-16-2086	A-4455-AA 08 A(208)		A-4455-AB 08 A(228)
9		A-4455-CZ 09 B(208)	22-15-2095	A-4455-AA 09 A(P909)	22-16-2096	A-4455-AA 09 A(208)		A-4455-AB 09 A(228)
10		A-4455-CZ 10 B(208)	22-15-2105	A-4455-AA 10 A(P909)	22-16-2106	A-4455-AA 10 A(208)		A-4455-AB 10 A(228)
11		A-4455-CZ 11 B(208)	22-15-2115	A-4455-AA 11 A(P909)	22-16-2116	A-4455-AA 11 A(208)		A-4455-AB 11 A(228)
12		A-4455-CZ 12 B(208)	22-15-2125	A-4455-AA 12 A(P909)	22-16-2126	A-4455-AA 12 A(208)		A-4455-AB 12 A(228)
13		A-4455-CZ 13 B(208)	22-15-2135	A-4455-AA 13 A(P909)	22-16-2136	A-4455-AA 13 A(208)		A-4455-AB 13 A(228)
14		A-4455-CZ 14 B(208)	22-15-2145	A-4455-AA 14 A(P909)	22-16-2146	A-4455-AA 14 A(208)		A-4455-AB 14 A(228)
15		A-4455-CZ 15 B(208)	22-15-2155	A-4455-AA 15 A(P909)	22-16-2156	A-4455-AA 15 A(208)		A-4455-AB 15 A(228)
16		A-4455-CZ 16 B(208)	22-15-2165	A-4455-AA 16 A(P909)	22-16-2166	A-4455-AA 16 A(208)		A-4455-AB 16 A(228)
17		A-4455-CZ 17 B(208)	22-15-2175	A-4455-AA 17 A(P909)	22-16-2176	A-4455-AA 17 A(208)		A-4455-AB 17 A(228)
18		A-4455-CZ 18 B(208)	22-15-2185	A-4455-AA 18 A(P909)	22-16-2186	A-4455-AA 18 A(208)		A-4455-AB 18 A(228)
19		A-4455-CZ 19 B(208)	22-15-2195	A-4455-AA 19 A(P909)	22-16-2196	A-4455-AA 19 A(208)		A-4455-AB 19 A(228)
20		A-4455-CZ 20 B(208)	22-15-2205	A-4455-AA 20 A(P909)	22-16-2206	A-4455-AA 20 A(208)		A-4455-AB 20 A(228)
21		A-4455-CZ 21 B(208)	22-15-2215	A-4455-AA 21 A(P909)	22-16-2216	A-4455-AA 21 A(208)		A-4455-AB 21 A(228)
22		A-4455-CZ 22 B(208)	22-15-2225	A-4455-AA 22 A(P909)	22-16-2226	A-4455-AA 22 A(208)		A-4455-AB 22 A(228)
23		A-4455-CZ 23 B(208)	22-15-2235	A-4455-AA 23 A(P909)	22-16-2236	A-4455-AA 23 A(208)		A-4455-AB 23 A(228)
24		A-4455-CZ 24 B(208)	22-15-2245	A-4455-AA 24 A(P909)	22-16-2246	A-4455-AA 24 A(208)	22-17-3240	A-4455-AB 24 A(228)
25		A-4455-CZ 25 B(208)	22-15-2255	A-4455-AA 25 A(P909)	22-16-2256	A-4455-AA 25 A(208)		A-4455-AB 25 A(228)

<b>REV:</b>	<b>ECR/ECN INFORMATION:</b>	<b>TITLE:</b>	
<b>D2</b>	EC No.: <b>UCP2006-2779</b>	<b>KK 100 PCB ASSY 4455 SERIES DWG</b>	<b>SHEET No.</b>
	DATE: <b>5/26/2006</b>		<b>- 7 -</b>
<b>DOCUMENT NUMBER:</b>		<b>CREATED / REVISED BY:</b>	<b>CHECKED BY:</b>
<b>SDA-4455</b>		<b>ADERR</b>	<b>AELHAG</b>
		<b>APPROVED BY:</b>	
		<b>FSMITH</b>	



# KK 100 PCB ASSY 2-25 CKT

## 4455 SERIES

Ckts	Assy Proc: RIGHT ANGLE		Assy Proc: RIGHT ANGLE		Assy Proc: RIGHT ANGLE		Assy Proc: RIGHT ANGLE	
	Material No	Engineer Number	Material No	Engineer Number	Material No	Engineer Number	Material No	Engineer Number
2	22-15-4024	A-4455-AB02A(P909)	22-15-2022	A-4455-AE02A(P909)	22-15-4022	A-4455-AR02A(P909)	22-26-2021	A-4455-AZ02A(122)
3	22-15-4034	A-4455-AB 03 A(P909)	22-15-2032	A-4455-AE 03 A(P909)	22-15-4032	A-4455-AR 03 A(P909)	22-26-2031	A-4455-AZ 03 A(122)
4	22-15-4044	A-4455-AB 04 A(P909)	22-15-2042	A-4455-AE 04 A(P909)	22-15-4042	A-4455-AR 04 A(P909)	22-26-2041	A-4455-AZ 04 A(122)
5	22-15-4054	A-4455-AB 05 A(P909)	22-15-2052	A-4455-AE 05 A(P909)	22-15-4052	A-4455-AR 05 A(P909)	22-26-2051	A-4455-AZ 05 A(122)
6	22-15-4064	A-4455-AB 06 A(P909)	22-15-2062	A-4455-AE 06 A(P909)	22-15-4062	A-4455-AR 06 A(P909)	22-26-2061	A-4455-AZ 06 A(122)
7	22-15-4074	A-4455-AB 07 A(P909)	22-15-2072	A-4455-AE 07 A(P909)	22-15-4072	A-4455-AR 07 A(P909)	22-26-2071	A-4455-AZ 07 A(122)
8	22-15-4084	A-4455-AB 08 A(P909)	22-15-2082	A-4455-AE 08 A(P909)	22-15-4082	A-4455-AR 08 A(P909)	22-26-2081	A-4455-AZ 08 A(122)
9	22-15-4094	A-4455-AB 09 A(P909)	22-15-2092	A-4455-AE 09 A(P909)	22-15-4092	A-4455-AR 09 A(P909)	22-26-2091	A-4455-AZ 09 A(122)
10	22-15-4104	A-4455-AB 10 A(P909)	22-15-2102	A-4455-AE 10 A(P909)	22-15-4102	A-4455-AR 10 A(P909)	22-26-2101	A-4455-AZ 10 A(122)
11	22-15-4114	A-4455-AB 11 A(P909)	22-15-2112	A-4455-AE 11 A(P909)	22-15-4112	A-4455-AR 11 A(P909)	22-26-2111	A-4455-AZ 11 A(122)
12	22-15-4124	A-4455-AB 12 A(P909)	22-15-2122	A-4455-AE 12 A(P909)	22-15-4122	A-4455-AR 12 A(P909)	22-26-2121	A-4455-AZ 12 A(122)
13	22-15-4134	A-4455-AB 13 A(P909)	22-15-2132	A-4455-AE 13 A(P909)	22-15-4132	A-4455-AR 13 A(P909)	22-26-2131	A-4455-AZ 13 A(122)
14	22-15-4144	A-4455-AB 14 A(P909)	22-15-2142	A-4455-AE 14 A(P909)	22-15-4142	A-4455-AR 14 A(P909)	22-26-2141	A-4455-AZ 14 A(122)
15	22-15-4154	A-4455-AB 15 A(P909)	22-15-2152	A-4455-AE 15 A(P909)	22-15-4152	A-4455-AR 15 A(P909)	22-26-2151	A-4455-AZ 15 A(122)
16	22-15-4164	A-4455-AB 16 A(P909)	22-15-2162	A-4455-AE 16 A(P909)	22-15-4162	A-4455-AR 16 A(P909)	22-26-2161	A-4455-AZ 16 A(122)
17	22-15-4174	A-4455-AB 17 A(P909)	22-15-2172	A-4455-AE 17 A(P909)	22-15-4172	A-4455-AR 17 A(P909)	22-26-2171	A-4455-AZ 17 A(122)
18	22-15-4184	A-4455-AB 18 A(P909)	22-15-2182	A-4455-AE 18 A(P909)	22-15-4182	A-4455-AR 18 A(P909)	22-26-2181	A-4455-AZ 18 A(122)
19	22-15-4194	A-4455-AB 19 A(P909)	22-15-2192	A-4455-AE 19 A(P909)	22-15-4192	A-4455-AR 19 A(P909)	22-26-2191	A-4455-AZ 19 A(122)
20	22-15-4204	A-4455-AB 20 A(P909)	22-15-2202	A-4455-AE 20 A(P909)	22-15-4202	A-4455-AR 20 A(P909)	22-26-2201	A-4455-AZ 20 A(122)
21	22-15-4214	A-4455-AB 21 A(P909)	22-15-2212	A-4455-AE 21 A(P909)	22-15-4212	A-4455-AR 21 A(P909)	22-26-2211	A-4455-AZ 21 A(122)
22	22-15-4224	A-4455-AB 22 A(P909)	22-15-2222	A-4455-AE 22 A(P909)	22-15-4222	A-4455-AR 22 A(P909)	22-26-2221	A-4455-AZ 22 A(122)
23	22-15-4234	A-4455-AB 23 A(P909)	22-15-2232	A-4455-AE 23 A(P909)	22-15-4232	A-4455-AR 23 A(P909)	22-26-2231	A-4455-AZ 23 A(122)
24	22-15-4244	A-4455-AB 24 A(P909)	22-15-2242	A-4455-AE 24 A(P909)	22-15-4242	A-4455-AR 24 A(P909)	22-26-2241	A-4455-AZ 24 A(122)
25	22-15-4254	A-4455-AB 25 A(P909)	22-15-2252	A-4455-AE 25 A(P909)	22-15-4252	A-4455-AR 25 A(P909)	22-26-2251	A-4455-AZ 25 A(122)

<b>REV:</b> <b>D2</b>	<b>ECR/ECN INFORMATION:</b> EC No.: <b>UCP2006-2779</b> DATE: <b>5/26/2006</b>	<b>TITLE:</b> <b>KK 100 PCB ASSY 4455 SERIES DWG</b>	<b>SHEET No.</b> <b>- 8 -</b>
<b>DOCUMENT NUMBER:</b> <b>SDA-4455</b>		<b>CREATED / REVISED BY:</b> <b>ADERR</b>	<b>CHECKED BY:</b> <b>AELHAG</b>
		<b>APPROVED BY:</b> <b>FSMITH</b>	



# KK 100 PCB ASSY 2-25 CKT

## 4455 SERIES

Ckts	Assy Proc: RIGHT ANGLE		Assy Proc: RIGHT ANGLE		Assy Proc: RIGHT ANGLE		Assy Proc: RIGHT ANGLE	
	Material No	Engineer Number	Material No	Engineer Number	Material No	Engineer Number	Material No	Engineer Number
	Hooks Cut:	NO	Hooks Cut:	NO	Hooks Cut:	NO	Hooks Cut:	NO
	Housing No:	4455-N	Housing No:	4455-N	Housing No:	4455-N	Housing No:	4455-N
	Terminal No:	4316-4(228)	Terminal No:	6516-4(228)	Terminal No:	6516-4(228)	Terminal No:	6516-4A(122)
	Dim C:	3.35 / .132	Dim C:	3.35 / .132	Dim C:	3.35 / .132	Dim C:	3.35 / .132
	Plating:	228	Plating:	228	Plating:	228	Plating:	122
	Packaging:	PK-44646-001	Packaging:	PK-44646-001	Packaging:	PK-44646-001	Packaging:	PK-44646-001
	Voids:	NONE	Voids:	NONE	Voids:	NONE	Voids:	NONE
2		A-4455-AZ02A(228)	22-17-5023	A-4455-AZ02B(228)	22-16-2022	A-4455-AZ02B(228)	22-65-3021	A-4455-AZ02M(122)
3		A-4455-AZ 03 A(228)	22-17-5033	A-4455-AZ 03 B(228)	22-16-2032	A-4455-AZ 03 B(228)	22-65-3031	A-4455-AZ03M(122)
4		A-4455-AZ 04 A(228)	22-17-5043	A-4455-AZ 04 B(228)	22-16-2042	A-4455-AZ 04 B(228)	22-65-3041	A-4455-AZ04 M(122)
5		A-4455-AZ 05 A(228)	22-17-5053	A-4455-AZ 05 B(228)	22-16-2052	A-4455-AZ 05 B(228)	22-65-3051	A-4455-AZ05 M(122)
6		A-4455-AZ 06 A(228)	22-17-5063	A-4455-AZ 06 B(228)	22-16-2062	A-4455-AZ 06 B(228)	22-65-3061	A-4455-AZ06 M(122)
7		A-4455-AZ 07 A(228)	22-17-5073	A-4455-AZ 07 B(228)	22-16-2072	A-4455-AZ 07 B(228)	22-65-3071	A-4455-AZ07 M(122)
8		A-4455-AZ 08 A(228)	22-17-5083	A-4455-AZ 08 B(228)	22-16-2082	A-4455-AZ 08 B(228)	22-65-3081	A-4455-AZ08 M(122)
9		A-4455-AZ 09 A(228)	22-17-5093	A-4455-AZ 09 B(228)	22-16-2092	A-4455-AZ 09 B(228)	22-65-3091	A-4455-AZ09 M(122)
10		A-4455-AZ 10 A(228)	22-17-5103	A-4455-AZ 10 B(228)	22-16-2102	A-4455-AZ 10 B(228)	22-65-3101	A-4455-AZ10 M(122)
11		A-4455-AZ 11 A(228)	22-17-5113	A-4455-AZ 11 B(228)	22-16-2112	A-4455-AZ 11 B(228)	22-65-3111	A-4455-AZ11 M(122)
12		A-4455-AZ 12 A(228)	22-17-5123	A-4455-AZ 12 B(228)	22-16-2122	A-4455-AZ 12 B(228)	22-65-3121	A-4455-AZ12 M(122)
13		A-4455-AZ 13 A(228)	22-17-5133	A-4455-AZ 13 B(228)	22-16-2132	A-4455-AZ 13 B(228)	22-65-3131	A-4455-AZ13 M(122)
14		A-4455-AZ 14 A(228)	22-17-5143	A-4455-AZ 14 B(228)	22-16-2142	A-4455-AZ 14 B(228)	22-65-3141	A-4455-AZ14 M(122)
15		A-4455-AZ 15 A(228)	22-17-5153	A-4455-AZ 15 B(228)	22-16-2152	A-4455-AZ 15 B(228)	22-65-3151	A-4455-AZ15 M(122)
16		A-4455-AZ 16 A(228)	22-17-5163	A-4455-AZ 16 B(228)	22-16-2162	A-4455-AZ 16 B(228)	22-65-3161	A-4455-AZ16 M(122)
17		A-4455-AZ 17 A(228)	22-17-5173	A-4455-AZ 17 B(228)	22-16-2172	A-4455-AZ 17 B(228)	22-65-3171	A-4455-AZ17 M(122)
18		A-4455-AZ 18 A(228)	22-17-5183	A-4455-AZ 18 B(228)	22-16-2182	A-4455-AZ 18 B(228)	22-65-3181	A-4455-AZ18 M(122)
19		A-4455-AZ 19 A(228)	22-17-5193	A-4455-AZ 19 B(228)	22-16-2192	A-4455-AZ 19 B(228)	22-65-3191	A-4455-AZ19 M(122)
20	22-17-5201	A-4455-AZ 20 A(228)	22-17-5203	A-4455-AZ 20 B(228)	22-16-2202	A-4455-AZ 20 B(228)	22-65-3201	A-4455-AZ20 M(122)
21		A-4455-AZ 21 A(228)	22-17-5213	A-4455-AZ 21 B(228)	22-16-2212	A-4455-AZ 21 B(228)	22-65-3211	A-4455-AZ21 M(122)
22		A-4455-AZ 22 A(228)	22-17-5223	A-4455-AZ 22 B(228)	22-16-2222	A-4455-AZ 22 B(228)	22-65-3221	A-4455-AZ22 M(122)
23		A-4455-AZ 23 A(228)	22-17-5233	A-4455-AZ 23 B(228)	22-16-2232	A-4455-AZ 23 B(228)	22-65-3231	A-4455-AZ23 M(122)
24	22-17-3247	A-4455-AZ 24 A(228)	22-17-5243	A-4455-AZ 24 B(228)	22-16-2242	A-4455-AZ 24 B(228)	22-65-3241	A-4455-AZ24 M(122)
25		A-4455-AZ 25 A(228)	22-17-5253	A-4455-AZ 25 B(228)	22-16-2252	A-4455-AZ 25 B(228)	22-65-3251	A-4455-AZ25 M(122)

<b>REV:</b> <b>D2</b>	<b>ECR/ECN INFORMATION:</b> EC No.: <b>UCP2006-2779</b> DATE: <b>5/26/2006</b>	<b>TITLE:</b> <b>KK 100 PCB ASSY</b> <b>4455 SERIES DWG</b>	<b>SHEET No.</b> <b>- 9 -</b>
<b>DOCUMENT NUMBER:</b> <b>SDA-4455</b>	<b>CREATED / REVISED BY:</b> <b>ADERR</b>	<b>CHECKED BY:</b> <b>AELHAG</b>	<b>APPROVED BY:</b> <b>FSMITH</b>





# KK 100 PCB ASSY 2-25 CKT

## 4455 SERIES

	Assy Proc:	BOTTOM ENTRY	Assy Proc:	BOTTOM ENTRY	Assy Proc:	BOTTOM ENTRY	Assy Proc:	BOTTOM ENTRY
	Hooks Cut:	NO	Hooks Cut:	NO	Hooks Cut:	NO	Hooks Cut:	NO
	Housing No:	4455-N2	Housing No:	4455-N2	Housing No:	4455-N2	Housing No:	4455-N2
	Terminal No:	4316-3B(228)	Terminal No:	4316-3B(231)	Terminal No:	4316-3B(228)	Terminal No:	6516-3B(228)
	Dim C:	3.35 / .132	Dim C:	3.35 / .132	Dim C:	3.35 / .132	Dim C:	3.35 / .132
	Plating:	228	Plating:	231	Plating:	228	Plating:	228
	Packaging:	PK-44646-001	Packaging:	PK-44646-001	Packaging:	PK-44646-001	Packaging:	PK-44646-001
	Voids:	NO	Voids:	NO	Voids:	NO	Voids:	NO
Ckts	Material No	Engineer Number	Material No	Engineer Number	Material No	Engineer Number	Material No	Engineer Number
2	22-17-2024	A-4455-BH02D(228)		A-4455-BH02D(231)		A-4455-BH02D(228)	22-17-2027	A-4455-BH02J(228)
3	22-17-2034	A-4455-BH03D(228)		A-4455-BH 03 D(231)		A-4455-BH03D(228)	22-17-2037	A-4455-BH03J(228)
4	22-17-2044	A-4455-BH04D(228)		A-4455-BH 04 D(231)		A-4455-BH04D(228)	22-17-2047	A-4455-BH04J(228)
5	22-17-2054	A-4455-BH05D(228)		A-4455-BH 05 D(231)	22-17-3056	A-4455-BH05D(228)	22-17-2057	A-4455-BH05J(228)
6	22-17-2064	A-4455-BH06D(228)		A-4455-BH 06 D(231)	22-17-3066	A-4455-BH06D(228)	22-17-2067	A-4455-BH06J(228)
7	22-17-2074	A-4455-BH07D(228)		A-4455-BH 07 D(231)		A-4455-BH07D(228)	22-17-2077	A-4455-BH07J(228)
8	22-17-2084	A-4455-BH08D(228)		A-4455-BH 08 D(231)	22-17-3086	A-4455-BH08D(228)	22-17-2087	A-4455-BH08J(228)
9	22-17-2094	A-4455-BH09D(228)		A-4455-BH 09 D(231)		A-4455-BH09D(228)	22-17-2097	A-4455-BH09J(228)
10	22-17-2104	A-4455-BH10D(228)		A-4455-BH 10 D(231)		A-4455-BH10D(228)	22-17-2107	A-4455-BH10J(228)
11	22-17-2114	A-4455-BH11D(228)		A-4455-BH 11 D(231)		A-4455-BH11D(228)	22-17-2117	A-4455-BH11J(228)
12	22-17-2124	A-4455-BH12D(228)		A-4455-BH 12 D(231)		A-4455-BH12D(228)	22-17-2127	A-4455-BH12J(228)
13	22-17-2134	A-4455-BH13D(228)		A-4455-BH 13 D(231)		A-4455-BH13D(228)	22-17-2137	A-4455-BH13J(228)
14	22-17-2144	A-4455-BH14D(228)	22-17-2140	A-4455-BH 14 D(231)	22-17-3146	A-4455-BH14D(228)	22-17-2147	A-4455-BH14J(228)
15	22-17-2154	A-4455-BH15D(228)		A-4455-BH 15 D(231)		A-4455-BH15D(228)	22-17-2157	A-4455-BH15J(228)
16	22-17-2164	A-4455-BH16D(228)		A-4455-BH 16 D(231)		A-4455-BH16D(228)	22-17-2167	A-4455-BH16J(228)
17	22-17-2174	A-4455-BH17D(228)		A-4455-BH 17 D(231)		A-4455-BH17D(228)	22-17-2177	A-4455-BH17J(228)
18	22-17-2184	A-4455-BH18D(228)		A-4455-BH 18 D(231)		A-4455-BH18D(228)	22-17-2187	A-4455-BH18J(228)
19	22-17-2194	A-4455-BH19D(228)		A-4455-BH 19 D(231)	22-17-3196	A-4455-BH19D(228)	22-17-2197	A-4455-BH19J(228)
20	22-17-2204	A-4455-BH20D(228)	22-17-2200	A-4455-BH 20 D(231)	22-17-3206	A-4455-BH20D(228)	22-17-2207	A-4455-BH20J(228)
21	22-17-2214	A-4455-BH21D(228)		A-4455-BH 21 D(231)		A-4455-BH21D(228)	22-17-2217	A-4455-BH21J(228)
22	22-17-2224	A-4455-BH22D(228)		A-4455-BH 22 D(231)		A-4455-BH22D(228)	22-17-2227	A-4455-BH22J(228)
23	22-17-2234	A-4455-BH23D(228)		A-4455-BH 23 D(231)		A-4455-BH23D(228)	22-17-2237	A-4455-BH23J(228)
24	22-17-2244	A-4455-BH24D(228)		A-4455-BH 24 D(231)		A-4455-BH24D(228)	22-17-2247	A-4455-BH24J(228)
25	22-17-2254	A-4455-BH25D(228)	22-17-2250	A-4455-BH 25 D(231)	22-17-3256	A-4455-BH25D(228)	22-17-2257	A-4455-BH25J(228)

<b>REV:</b>	<b>ECR/ECN INFORMATION:</b>	<b>TITLE:</b>	<b>KK 100 PCB ASSY 4455 SERIES DWG</b>		<b>SHEET No.</b>
<b>D2</b>	EC No.: <b>UCP2006-2779</b>				<b>- 10 -</b>
	DATE: <b>5/26/2006</b>				
<b>DOCUMENT NUMBER:</b>		<b>CREATED / REVISED BY:</b>	<b>CHECKED BY:</b>	<b>APPROVED BY:</b>	
<b>SDA-4455</b>		<b>ADERR</b>	<b>AELHAG</b>	<b>FSMITH</b>	



# KK 100 PCB ASSY 2-25 CKT

## 4455 SERIES

Ckts	Assy Proc: BOTTOM ENTRY		Assy Proc: TOP ENTRY		Assy Proc: TOP ENTRY		Assy Proc: TOP ENTRY	
	Material No	Engineer Number	Material No	Engineer Number	Material No	Engineer Number	Material No	Engineer Number
2		A-4455-BH02L(122)		A-4455-CP02A(208)	22-18-2026	A-4455-CY02A(565)	22-02-7023	A-4455-CY02A(P909)
3	22-15-4036	A-4455-BH 03 L(122)		A-4455-CP 03 A(208)	22-18-2036	A-4455-CY 03 A(565)	22-02-7033	A-4455-CY 03A(P909)
4	22-15-4046	A-4455-BH 04 L(122)		A-4455-CP 04 A(208)	22-18-2046	A-4455-CY 04 A(565)	22-02-7043	A-4455-CY 04A(P909)
5		A-4455-BH 05 L(122)	22-18-2057	A-4455-CP 05 A(208)	22-18-2056	A-4455-CY 05 A(565)	22-02-7053	A-4455-CY 05A(P909)
6	22-15-4066	A-4455-BH 06 L(122)		A-4455-CP 06 A(208)	22-18-2066	A-4455-CY 06 A(565)	22-02-7063	A-4455-CY 06A(P909)
7	22-15-4076	A-4455-BH 07 L(122)		A-4455-CP 07 A(208)	22-18-2076	A-4455-CY 07 A(565)	22-02-7073	A-4455-CY 07A(P909)
8	22-15-4086	A-4455-BH 08 L(122)		A-4455-CP 08 A(208)	22-18-2086	A-4455-CY 08 A(565)	22-02-7083	A-4455-CY 08A(P909)
9		A-4455-BH 09 L(122)		A-4455-CP 09 A(208)	22-18-2096	A-4455-CY 09 A(565)	22-02-7093	A-4455-CY 09A(P909)
10		A-4455-BH 10 L(122)		A-4455-CP 10 A(208)	22-18-2106	A-4455-CY 10 A(565)	22-02-7103	A-4455-CY 10A(P909)
11	22-15-4116	A-4455-BH 11 L(122)		A-4455-CP 11 A(208)	22-18-2116	A-4455-CY 11 A(565)	22-02-7113	A-4455-CY 11A(P909)
12	22-15-4126	A-4455-BH 12 L(122)		A-4455-CP 12 A(208)	22-18-2126	A-4455-CY 12 A(565)	22-02-7123	A-4455-CY 12A(P909)
13		A-4455-BH 13 L(122)		A-4455-CP 13 A(208)	22-18-2136	A-4455-CY 13 A(565)	22-02-7133	A-4455-CY 13A(P909)
14	22-15-4146	A-4455-BH 14 L(122)		A-4455-CP 14 A(208)	22-18-2146	A-4455-CY 14 A(565)	22-02-7143	A-4455-CY 14A(P909)
15	22-15-4156	A-4455-BH 15 L(122)		A-4455-CP 15 A(208)	22-18-2156	A-4455-CY 15 A(565)	22-02-7153	A-4455-CY 15A(P909)
16		A-4455-BH 16 L(122)		A-4455-CP 16 A(208)	22-18-2166	A-4455-CY 16 A(565)	22-02-7163	A-4455-CY 16A(P909)
17	22-15-4176	A-4455-BH 17 L(122)		A-4455-CP 17 A(208)	22-18-2176	A-4455-CY 17 A(565)	22-02-7173	A-4455-CY 17A(P909)
18		A-4455-BH 18 L(122)		A-4455-CP 18 A(208)	22-18-2186	A-4455-CY 18 A(565)	22-02-7183	A-4455-CY 18A(P909)
19		A-4455-BH 19 L(122)		A-4455-CP 19 A(208)	22-18-2196	A-4455-CY 19 A(565)	22-02-7193	A-4455-CY 19A(P909)
20		A-4455-BH 20 L(122)		A-4455-CP 20 A(208)	22-18-2206	A-4455-CY 20 A(565)	22-02-7203	A-4455-CY 20A(P909)
21		A-4455-BH 21 L(122)		A-4455-CP 21 A(208)	22-18-2216	A-4455-CY 21 A(565)	22-02-7213	A-4455-CY 21A(P909)
22		A-4455-BH 22 L(122)		A-4455-CP 22 A(208)	22-18-2226	A-4455-CY 22 A(565)	22-02-7223	A-4455-CY 22A(P909)
23		A-4455-BH 23 L(122)		A-4455-CP 23 A(208)	22-18-2236	A-4455-CY 23 A(565)	22-02-7233	A-4455-CY 23A(P909)
24		A-4455-BH 24 L(122)		A-4455-CP 24 A(208)	22-18-2246	A-4455-CY 24 A(565)	22-02-7243	A-4455-CY 24A(P909)
25		A-4455-BH 25 L(122)		A-4455-CP 25 A(208)	22-18-2256	A-4455-CY 25 A(565)	22-02-7253	A-4455-CY 25A(P909)

<b>REV:</b> <b>D2</b>	<b>ECR/ECN INFORMATION:</b> EC No.: <b>UCP2006-2779</b> DATE: <b>5/26/2006</b>	<b>TITLE:</b>	<b>KK 100 PCB ASSY 4455 SERIES DWG</b>	<b>SHEET No.</b> <b>- 11 -</b>
<b>DOCUMENT NUMBER:</b> <b>SDA-4455</b>		<b>CREATED / REVISED BY:</b> <b>ADERR</b>	<b>CHECKED BY:</b> <b>AELHAG</b>	<b>APPROVED BY:</b> <b>FSMITH</b>



# KK 100 PCB ASSY 2-25 CKT

## 4455 SERIES

	Assy Proc:	TOP ENTRY	Assy Proc:	TOP ENTRY	Assy Proc:	TOP ENTRY	Assy Proc:	TOP ENTRY
	Hooks Cut:	NO	Hooks Cut:	NO	Hooks Cut:	NO	Hooks Cut:	YES
	Housing No:	4455-BN	Housing No:	4455-NR	Housing No:	4455-N	Housing No:	4455-N
	Terminal No:	4316-4(P909)	Terminal No:	4316-4(P909)	Terminal No:	6516-4(228)	Terminal No:	4316-4(208)
	Dim C:	3.35 / .132	Dim C:	3.35 / .132	Dim C:	3.35 / .132	Dim C:	3.35 / .132
	Plating:	P909	Plating:	P909	Plating:	228	Plating:	208
	Packaging:	PK-44646-001	Packaging:	PK-44646-001	Packaging:	PK-44646-001	Packaging:	PK-44646-003
	Voids:	NO	Voids:	NO	Voids:	NO	Voids:	NO
Ckts	Material No	Engineer Number	Material No	Engineer Number	Material No	Engineer Number	Material No	Engineer Number
2	22-15-4028	A-4455-CB02A(P909)	22-65-3020	A-4455-CR02A(P909)	22-18-2024	A-4455-CZ02B(228)	22-18-7023	A-4455-CY02A(208)
3	22-15-4038	A-4455-CB 03A(P909)	22-65-3030	A-4455-CR 03A(P909)	22-18-2034	A-4455-CZ 03 B(228)	22-18-7033	A-4455-CY 03 A(208)
4	22-15-4048	A-4455-CB 04A(P909)	22-65-3040	A-4455-CR 04A(P909)	22-18-2044	A-4455-CZ 04 B(228)	22-18-7043	A-4455-CY 04 A(208)
5	22-15-4058	A-4455-CB 05A(P909)	22-65-3050	A-4455-CR 05A(P909)	22-18-2054	A-4455-CZ 05 B(228)	22-18-7053	A-4455-CY 05 A(208)
6	22-15-4068	A-4455-CB 06A(P909)	22-65-3060	A-4455-CR 06A(P909)	22-18-2064	A-4455-CZ 06 B(228)	22-18-7063	A-4455-CY 06 A(208)
7	22-15-4078	A-4455-CB 07A(P909)	22-65-3070	A-4455-CR 07A(P909)	22-18-2074	A-4455-CZ 07 B(228)	22-18-7073	A-4455-CY 07 A(208)
8	22-15-4088	A-4455-CB 08A(P909)	22-65-3080	A-4455-CR 08A(P909)	22-18-2084	A-4455-CZ 08 B(228)	22-18-7083	A-4455-CY 08 A(208)
9	22-15-4098	A-4455-CB 09A(P909)	22-65-3090	A-4455-CR 09A(P909)	22-18-2094	A-4455-CZ 09 B(228)	22-18-7093	A-4455-CY 09 A(208)
10	22-15-4108	A-4455-CB 10A(P909)	22-65-3100	A-4455-CR 10A(P909)	22-18-2104	A-4455-CZ 10 B(228)	22-18-7103	A-4455-CY 10 A(208)
11	22-15-4118	A-4455-CB 11A(P909)	22-65-3110	A-4455-CR 11A(P909)	22-18-2114	A-4455-CZ 11 B(228)	22-18-7113	A-4455-CY 11 A(208)
12	22-15-4128	A-4455-CB 12A(P909)	22-65-3120	A-4455-CR 12A(P909)	22-18-2124	A-4455-CZ 12 B(228)	22-18-7123	A-4455-CY 12 A(208)
13	22-15-4138	A-4455-CB 13A(P909)	22-65-3130	A-4455-CR 13A(P909)	22-18-2134	A-4455-CZ 13 B(228)	22-18-7133	A-4455-CY 13 A(208)
14	22-15-4148	A-4455-CB 14A(P909)	22-65-3140	A-4455-CR 14A(P909)	22-18-2144	A-4455-CZ 14 B(228)	22-18-7143	A-4455-CY 14 A(208)
15	22-15-4158	A-4455-CB 15A(P909)	22-65-3150	A-4455-CR 15A(P909)	22-18-2154	A-4455-CZ 15 B(228)	22-18-7153	A-4455-CY 15 A(208)
16	22-15-4168	A-4455-CB 16A(P909)	22-65-3160	A-4455-CR 16A(P909)	22-18-2164	A-4455-CZ 16 B(228)	22-18-7163	A-4455-CY 16 A(208)
17	22-15-4178	A-4455-CB 17A(P909)	22-65-3170	A-4455-CR 17A(P909)	22-18-2174	A-4455-CZ 17 B(228)	22-18-7173	A-4455-CY 17 A(208)
18	22-15-4188	A-4455-CB 18A(P909)	22-65-3180	A-4455-CR 18A(P909)	22-18-2184	A-4455-CZ 18 B(228)	22-18-7183	A-4455-CY 18 A(208)
19	22-15-4198	A-4455-CB 19A(P909)	22-65-3190	A-4455-CR 19A(P909)	22-18-2194	A-4455-CZ 19 B(228)	22-18-7193	A-4455-CY 19 A(208)
20	22-15-4208	A-4455-CB 20A(P909)	22-65-3200	A-4455-CR 20A(P909)	22-18-2204	A-4455-CZ 20 B(228)	22-18-7203	A-4455-CY 20 A(208)
21	22-15-4218	A-4455-CB 21A(P909)	22-65-3210	A-4455-CR 21A(P909)	22-18-2214	A-4455-CZ 21 B(228)	22-18-7213	A-4455-CY 21 A(208)
22	22-15-4228	A-4455-CB 22A(P909)	22-65-3220	A-4455-CR 22A(P909)	22-18-2224	A-4455-CZ 22 B(228)	22-18-7223	A-4455-CY 22 A(208)
23	22-15-4238	A-4455-CB 23A(P909)	22-65-3230	A-4455-CR 23A(P909)	22-18-2234	A-4455-CZ 23 B(228)	22-18-7233	A-4455-CY 23 A(208)
24	22-15-4248	A-4455-CB 24A(P909)	22-65-3240	A-4455-CR 24A(P909)	22-18-2244	A-4455-CZ 24 B(228)	22-18-7243	A-4455-CY 24 A(208)
25	22-15-4258	A-4455-CB 25A(P909)	22-65-3250	A-4455-CR 25A(P909)	22-18-2254	A-4455-CZ 25 B(228)	22-18-7253	A-4455-CY 25 A(208)

<b>REV:</b>	<b>ECR/ECN INFORMATION:</b>	<b>TITLE:</b>	<b>KK 100 PCB ASSY 4455 SERIES DWG</b>	<b>SHEET No.</b>
<b>D2</b>	EC No.: <b>UCP2006-2779</b>			<b>- 12 -</b>
	DATE: <b>5/26/2006</b>			
<b>DOCUMENT NUMBER:</b>	<b>CREATED / REVISED BY:</b>	<b>CHECKED BY:</b>	<b>APPROVED BY:</b>	
<b>SDA-4455</b>	<b>ADERR</b>	<b>AELHAG</b>	<b>FSMITH</b>	



# KK 100 PCB ASSY 2-25 CKT

## 4455 SERIES

	Assy Proc:	TOP ENTRY	Assy Proc:	Assy Proc:	Assy Proc:	Assy Proc:	RIGHT ANGLE	
	Hooks Cut:	YES	Hooks Cut:	Hooks Cut:	Hooks Cut:	Hooks Cut:	NO	
	Housing No:	4455-N	Housing No:	Housing No:	Housing No:	Housing No:	4455-AN	
	Terminal No:	6516-4(228)	Terminal No:	Terminal No:	Terminal No:	Terminal No:	6516-4(P909)	
	Dim C:	3.35 / .132	Dim C:	Dim C:	Dim C:	Dim C:	3.35 / .132	
	Plating:	228	Plating:	Plating:	Plating:	Plating:	P909	
	Packaging:	PK-44646-003	Packaging:	Packaging:	Packaging:	Packaging:	PK-44646-001	
	Voids:	NO	Voids:	Voids:	Voids:	Voids:	NO	
Ckts	Material No	Engineer Number	Material No	Engineer Number	Material No	Engineer Number	Material No	Engineer Number
2	22-18-7021	A-4455-CY02B(228)						
3	22-18-7031	A-4455-CY 03 B(228)						
4	22-18-7041	A-4455-CY 04 B(228)						
5	22-18-7051	A-4455-CY 05 B(228)						
6	22-18-7061	A-4455-CY 06 B(228)						
7	22-18-7071	A-4455-CY 07 B(228)						
8	22-18-7081	A-4455-CY 08 B(228)						
9	22-18-7091	A-4455-CY 09 B(228)						
10	22-18-7101	A-4455-CY 10 B(228)						
11	22-18-7111	A-4455-CY 11 B(228)						
12	22-18-7121	A-4455-CY 12 B(228)						
13	22-18-7131	A-4455-CY 13 B(228)						
14	22-18-7141	A-4455-CY 14 B(228)						
15	22-18-7151	A-4455-CY 15 B(228)						
16	22-18-7161	A-4455-CY 16 B(228)						
17	22-18-7171	A-4455-CY 17 B(228)						
18	22-18-7181	A-4455-CY 18 B(228)						
19	22-18-7191	A-4455-CY 19 B(228)						
20	22-18-7201	A-4455-CY 20 B(228)						
21	22-18-7211	A-4455-CY 21 B(228)						
22	22-18-7221	A-4455-CY 22 B(228)						
23	22-18-7231	A-4455-CY 23 B(228)						
24	22-18-7241	A-4455-CY 24 B(228)						
25	22-18-7251	A-4455-CY 25 B(228)						
							22-14-2079	A-4455-AA07B(P909)
							22-14-2089	A-4455-AA 08 B(P909)
							22-14-2099	A-4455-AA 09 B(P909)
							22-14-2109	A-4455-AA 10 B(P909)
							22-14-2119	A-4455-AA 11 B(P909)
							22-14-2129	A-4455-AA 12 B(P909)
							22-14-2139	A-4455-AA 13 B(P909)
							22-14-2149	A-4455-AA 14 B(P909)
							22-14-2159	A-4455-AA 15 B(P909)
							22-14-2169	A-4455-AA 16 B(P909)
							22-14-2179	A-4455-AA 17 B(P909)
							22-14-2189	A-4455-AA 18 B(P909)
							22-14-2199	A-4455-AA 19 B(P909)
							22-14-2209	A-4455-AA 20 B(P909)
							22-14-2219	A-4455-AA 21 B(P909)
							22-14-2229	A-4455-AA 22 B(P909)
							22-14-2239	A-4455-AA 23 B(P909)
							22-14-2249	A-4455-AA 24 B(P909)
							22-14-2259	A-4455-AA 25 B(P909)

<b>REV:</b>	<b>ECR/ECN INFORMATION:</b>	<u>TITLE:</u>	<b>KK 100 PCB ASSY 4455 SERIES DWG</b>		<u>SHEET No.</u>
<b>D2</b>	EC No.: <b>UCP2006-2779</b>				<b>- 13 -</b>
	DATE: <b>5/26/2006</b>				
<u>DOCUMENT NUMBER:</u>		<u>CREATED / REVISED BY:</u>	<u>CHECKED BY:</u>	<u>APPROVED BY:</u>	
<b>SDA-4455</b>		<b>ADERR</b>	<b>AELHAG</b>	<b>FSMITH</b>	



# KK 100 PCB ASSY 2-25 CKT 4455 SERIES

Assy Proc:	RIGHT ANGLE
Hooks Cut:	NO
Housing No:	4455-N
Terminal No:	4316-4A(122)
Dim C:	3.35 / .132
Plating:	122
Packaging:	PK-44646-001
Voids:	NO

Assy Proc:	RIGHT ANGLE
Hooks Cut:	NO
Housing No:	4455-AN
Terminal No:	4316-4(565)
Dim C:	3.35 / .132
Plating:	565
Packaging:	PK-44646-001
Voids:	NO

Assy Proc:	RIGHT ANGLE
Hooks Cut:	NO
Housing No:	4455-AN
Terminal No:	4316-4A(P909)
Dim C:	3.35 / .132
Plating:	P909
Packaging:	PK-44646-001
Voids:	NO

Assy Proc:	RIGHT ANGLE
Hooks Cut:	NO
Housing No:	4455-BN
Terminal No:	4316-4(565)
Dim C:	3.35 / .132
Plating:	565
Packaging:	PK-44646-001
Voids:	NO

Ckts	Material No	Engineer Number	Material No	Engineer Number	Material No	Engineer Number	Material No	Engineer Number
2		A-4455-AZ02T(122)					22-16-3028	A-4455-AB02A(565)
3		A-4455-AZ 03 T(122)					22-16-3038	A-4455-AB 03 A(565)
4		A-4455-AZ 04 T(122)					22-16-3048	A-4455-AB 04 A(565)
5		A-4455-AZ 05 T(122)					22-16-3058	A-4455-AB 05 A(565)
6		A-4455-AZ 06 T(122)					22-16-3068	A-4455-AB 06 A(565)
7		A-4455-AZ 07 T(122)	22-14-2077	A-4455-AA07A(565)	22-14-3617	A-4455-AA07T(P909)	22-16-3078	A-4455-AB 07 A(565)
8		A-4455-AZ 08 T(122)	22-14-2087	A-4455-AA 08 A(565)	22-14-3618	A-4455-AA 08 T(P909)	22-16-3088	A-4455-AB 08 A(565)
9	22-02-7096	A-4455-AZ 09 T(122)	22-14-2097	A-4455-AA 09 A(565)	22-14-3619	A-4455-AA 09 T(P909)	22-16-3098	A-4455-AB 09 A(565)
10		A-4455-AZ 10 T(122)	22-14-2107	A-4455-AA 10 A(565)	22-14-3711	A-4455-AA 10 T(P909)	22-16-3108	A-4455-AB 10 A(565)
11	22-02-7116	A-4455-AZ 11 T(122)	22-14-2117	A-4455-AA 11 A(565)	22-14-3712	A-4455-AA 11 T(P909)	22-16-3118	A-4455-AB 11 A(565)
12		A-4455-AZ 12 T(122)	22-14-2127	A-4455-AA 12 A(565)	22-14-3713	A-4455-AA 12 T(P909)	22-16-3128	A-4455-AB 12 A(565)
13		A-4455-AZ 13 T(122)	22-14-2137	A-4455-AA 13 A(565)	22-14-3714	A-4455-AA 13 T(P909)	22-16-3138	A-4455-AB 13 A(565)
14	22-02-7146	A-4455-AZ 14 T(122)	22-14-2147	A-4455-AA 14 A(565)	22-14-3715	A-4455-AA 14 T(P909)	22-16-3148	A-4455-AB 14 A(565)
15		A-4455-AZ 15 T(122)	22-14-2157	A-4455-AA 15 A(565)	22-14-3716	A-4455-AA 15 T(P909)	22-16-3158	A-4455-AB 15 A(565)
16		A-4455-AZ 16 T(122)	22-14-2167	A-4455-AA 16 A(565)	22-14-3717	A-4455-AA 16 T(P909)	22-16-3168	A-4455-AB 16 A(565)
17		A-4455-AZ 17 T(122)	22-14-2177	A-4455-AA 17 A(565)	22-14-3718	A-4455-AA 17 T(P909)	22-16-3178	A-4455-AB 17 A(565)
18		A-4455-AZ 18 T(122)	22-14-2187	A-4455-AA 18 A(565)	22-14-3719	A-4455-AA 18 T(P909)	22-16-3188	A-4455-AB 18 A(565)
19		A-4455-AZ 19 T(122)	22-14-2197	A-4455-AA 19 A(565)	22-14-3811	A-4455-AA 19 T(P909)	22-16-3198	A-4455-AB 19 A(565)
20		A-4455-AZ 20 T(122)	22-14-2207	A-4455-AA 20 A(565)	22-14-3812	A-4455-AA 20 T(P909)	22-16-3208	A-4455-AB 20 A(565)
21		A-4455-AZ 21 T(122)	22-14-2217	A-4455-AA 21 A(565)	22-14-3813	A-4455-AA 21 T(P909)	22-16-3218	A-4455-AB 21 A(565)
22		A-4455-AZ 22 T(122)	22-14-2227	A-4455-AA 22 A(565)	22-14-3814	A-4455-AA 22 T(P909)	22-16-3228	A-4455-AB 22 A(565)
23		A-4455-AZ 23 T(122)	22-14-2237	A-4455-AA 23 A(565)	22-14-3815	A-4455-AA 23 T(P909)	22-16-3238	A-4455-AB 23 A(565)
24		A-4455-AZ 24 T(122)	22-14-2247	A-4455-AA 24 A(565)	22-14-3816	A-4455-AA 24 T(P909)	22-16-3248	A-4455-AB 24 A(565)
25	22-02-7256	A-4455-AZ 25 T(122)	22-14-2257	A-4455-AA 25 A(565)	22-14-3817	A-4455-AA 25 T(P909)	22-16-3258	A-4455-AB 25 A(565)

REV: <b>D2</b>	<b>ECR/ECN INFORMATION:</b> EC No.: UCP2006-2779 DATE: 5/26/2006	TITLE: <b>KK 100 PCB ASSY 4455 SERIES DWG</b>	SHEET No. <b>- 14 -</b>
DOCUMENT NUMBER: <b>SDA-4455</b>	CREATED / REVISED BY: <b>ADERR</b>	CHECKED BY: <b>AELHAG</b>	APPROVED BY: <b>FSMITH</b>



# KK 100 PCB ASSY 2-25 CKT

## 4455 SERIES

Ckts	Assy Proc:		TOP ENTRY		Assy Proc:		RIGHT ANGLE		Assy Proc:		RIGHT ANGLE	
	Material No	Engineer Number	Material No	Engineer Number	Material No	Engineer Number	Material No	Engineer Number	Material No	Engineer Number	Material No	Engineer Number
2												
3												
4												
5												
6			22-02-3068	A-4455-CW06A(P909)-2								
7			50-29-0004	A-4455-CW07A(P909)-2								
8												
9												
10												
11												
12												
13												
14												
15												
16												
17												
18												
19												
20												
21												
22												
23												
24												
25												

<b>REV:</b> <b>D2</b>	<b>ECR/ECN INFORMATION:</b> EC No.: <b>UCP2006-2779</b> DATE: <b>5/26/2006</b>	<b>TITLE:</b>	<b>KK 100 PCB ASSY 4455 SERIES DWG</b>	<b>SHEET No.</b>  <b>- 15 -</b>
<b>DOCUMENT NUMBER:</b> <b>SDA-4455</b>		<b>CREATED / REVISED BY:</b> <b>ADERR</b>	<b>CHECKED BY:</b> <b>AELHAG</b>	<b>APPROVED BY:</b> <b>FSMITH</b>



# KK 100 PCB ASSY 2-25 CKT

## 4455 SERIES

	Assy Proc:		Assy Proc:	TOP ENTRY	Assy Proc:		Assy Proc:	
	Hooks Cut:	YES	Hooks Cut:	YES	Hooks Cut:		Hooks Cut:	
	Housing No:	4455-N	Housing No:	4455-N	Housing No:		Housing No:	
	Terminal No:	6516-4(P909)	Terminal No:	4316-4(P909)	Terminal No:		Terminal No:	
	Dim C:	3.35 / .132	Dim C:	3.35 / .132	Dim C:		Dim C:	
	Plating:	P909	Plating:	P909	Plating:		Plating:	
	Packaging:	PK-44646-003	Packaging:	PK-44646-003	Packaging:		Packaging:	
	Voids:	NO	Voids:	YES IN CKT 2	Voids:		Voids:	
Ckts	Material No	Engineer Number	Material No	Engineer Number	Material No	Engineer Number	Material No	Engineer Number
2		A-4455-CY02B(P909)						
3		A-4455-CY 03B(P909)						
4		A-4455-CY 04B(P909)						
5	50-29-1553	A-4455-CY 05B(P909)						
6	50-29-1554	A-4455-CY 06B(P909)	22-15-5065	A-4455-CY06A(P909)-2				
7		A-4455-CY 07B(P909)						
8		A-4455-CY 08B(P909)						
9		A-4455-CY 09B(P909)						
10		A-4455-CY 10B(P909)						
11		A-4455-CY 11B(P909)						
12		A-4455-CY 12B(P909)						
13		A-4455-CY 13B(P909)						
14		A-4455-CY 14B(P909)						
15		A-4455-CY 15B(P909)						
16		A-4455-CY 16B(P909)						
17		A-4455-CY 17B(P909)						
18		A-4455-CY 18B(P909)						
19		A-4455-CY 19B(P909)						
20		A-4455-CY 20B(P909)						
21		A-4455-CY 21B(P909)						
22		A-4455-CY 22B(P909)						
23		A-4455-CY 23B(P909)						
24		A-4455-CY 24B(P909)						
25		A-4455-CY 25B(P909)						

<b>REV:</b>	<b>ECR/ECN INFORMATION:</b>	<b>TITLE:</b>	
<b>D2</b>	EC No.: <b>UCP2006-2779</b>	<b>KK 100 PCB ASSY</b>	<u>SHEET No.</u>
	DATE: <b>5/26/2006</b>	<b>4455 SERIES DWG</b>	<b>- 16 -</b>
<b>DOCUMENT NUMBER:</b>	<b>CREATED / REVISED BY:</b>	<b>CHECKED BY:</b>	<b>APPROVED BY:</b>
<b>SDA-4455</b>	<b>ADERR</b>	<b>AELHAG</b>	<b>FSMITH</b>