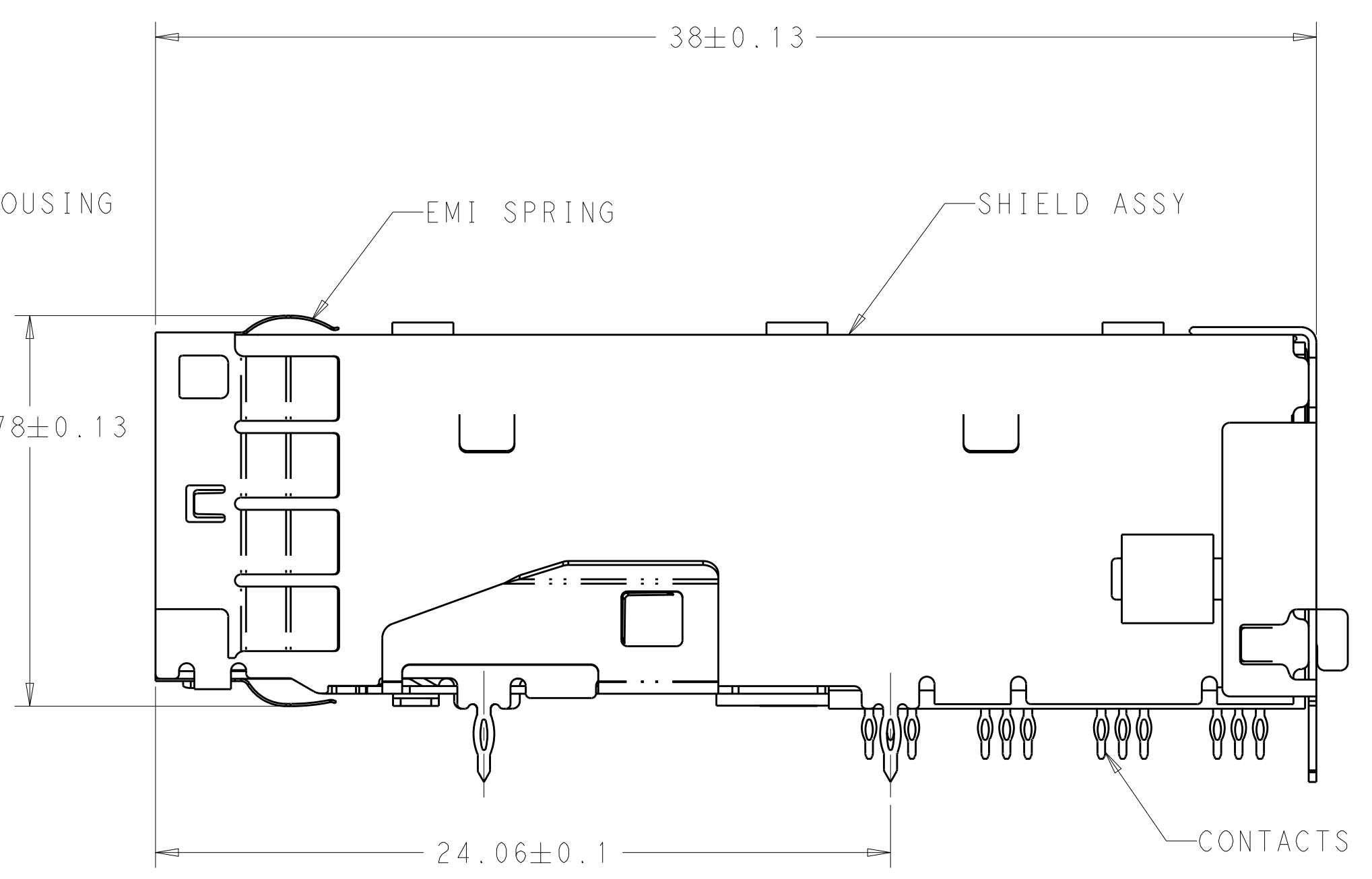
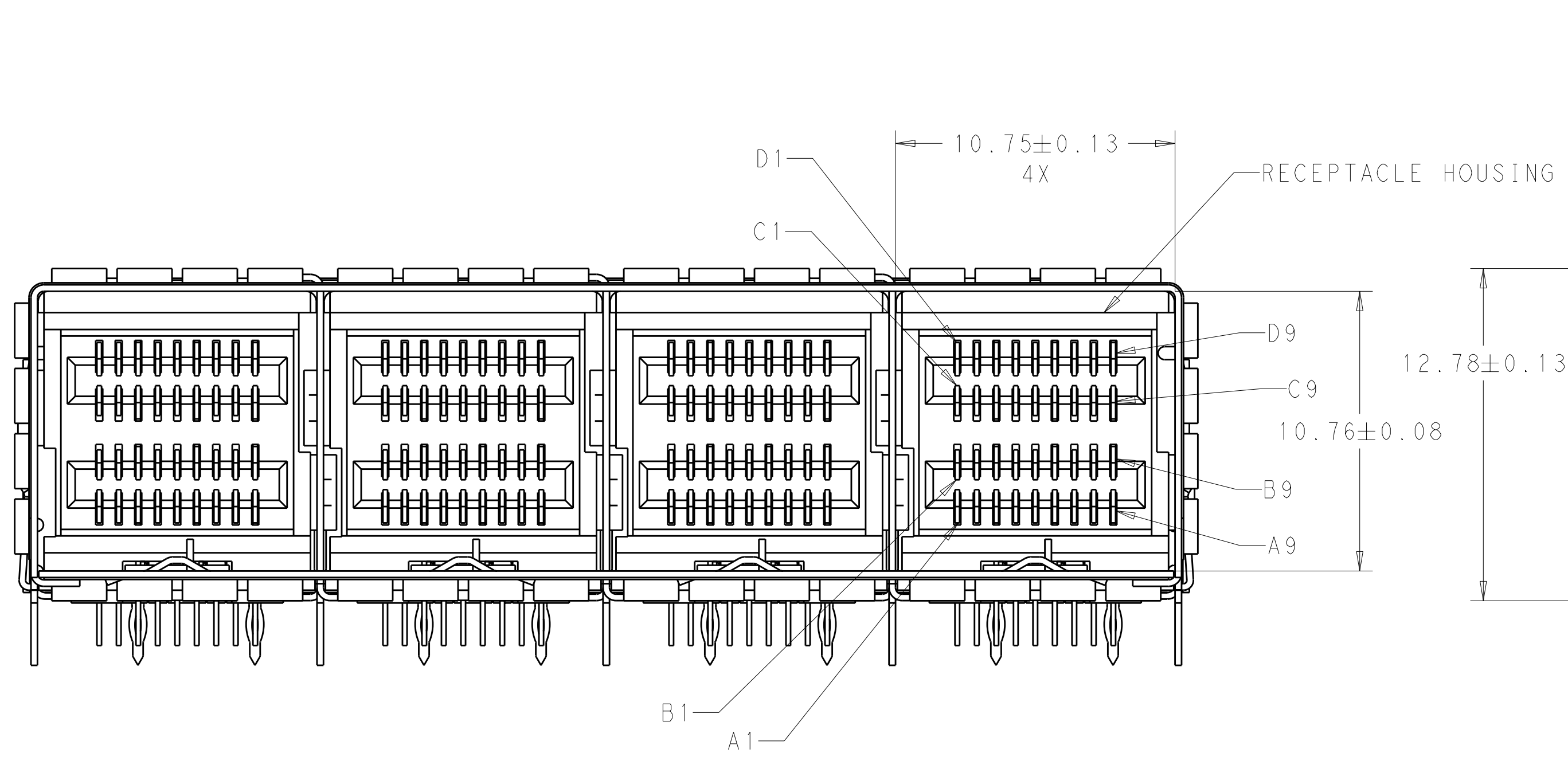
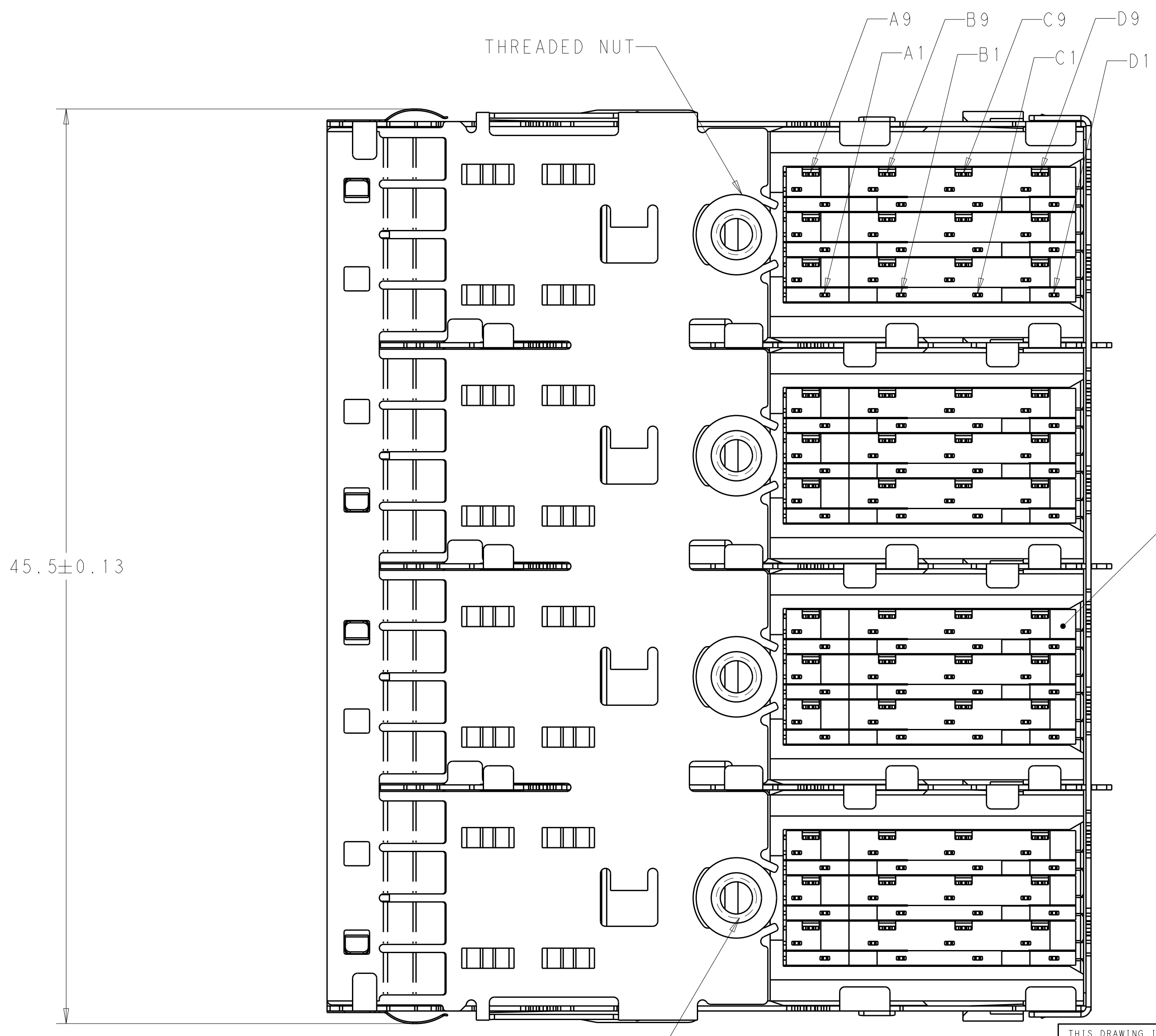


LOC	DIST	REV	DATE	DWN	APVD
AG	00	7	05JAN2012	PK	JS
		8	09JAN2012	JS	JS
		9	13MAR2012	JS	JS



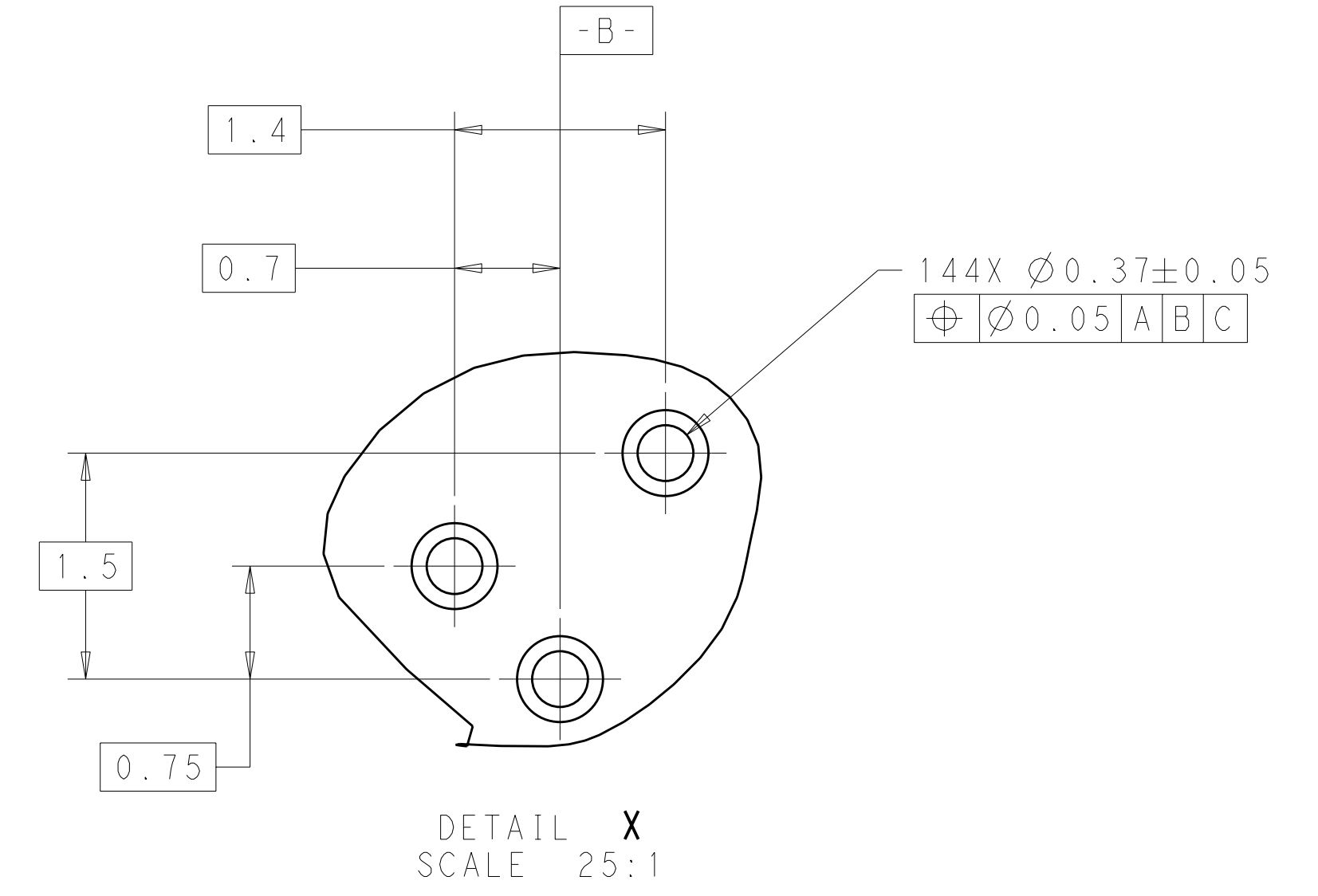
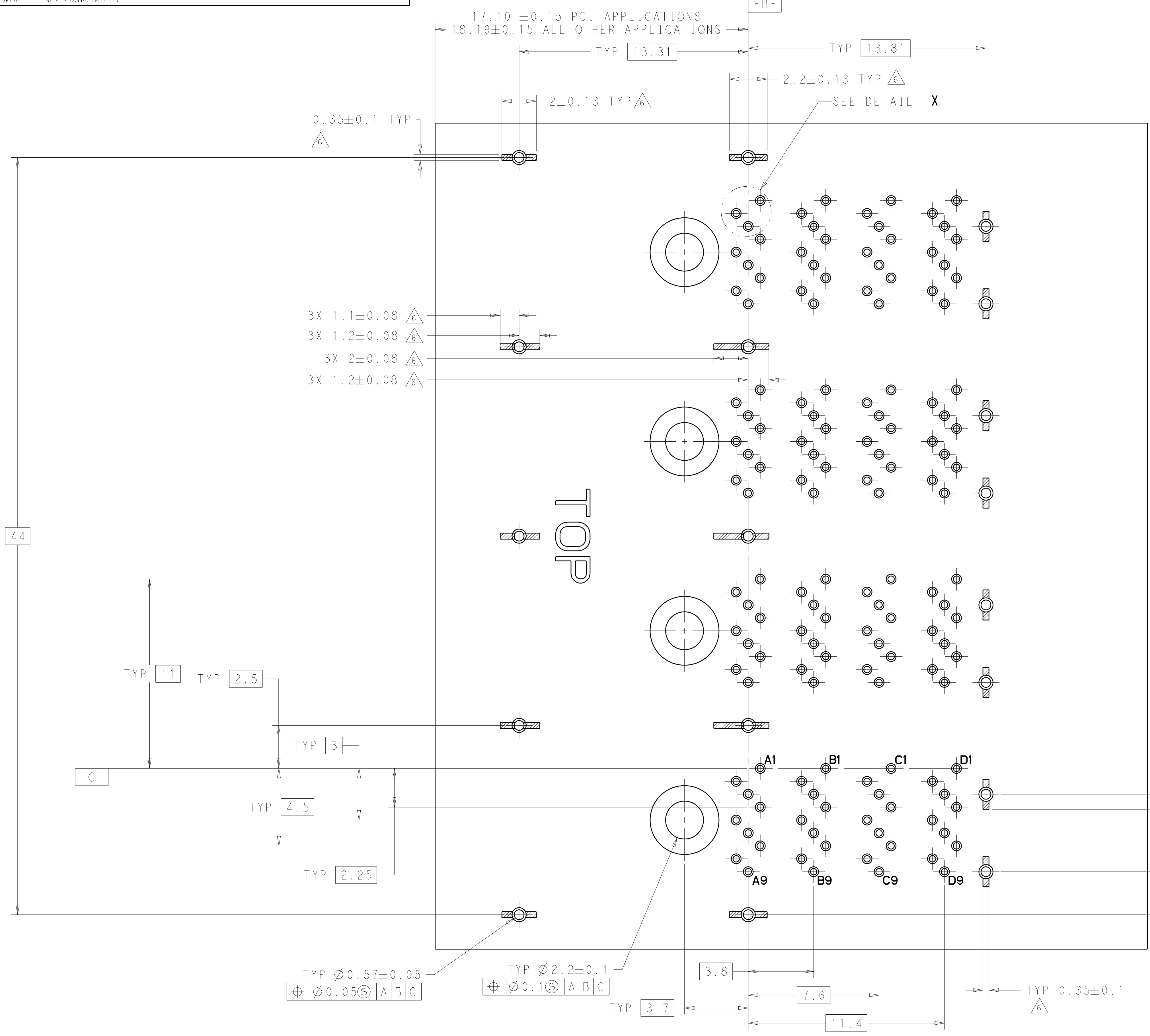
1. MATERIALS
 RECEPTACLE HOUSING, LCP, BLACK, UL94V-0 RATED
 SHIELD ASSY: NICKEL SILVER COPPER ALLOY
 CONTACTS: COPPER ALLOY
 EMI SPRING: COPPER ALLOY
 THREADED NUT: BRASS
 CHICKLETS: LCP, BLACK, UL 94V-0 RATED
2. FINISH
 EMI SPRING: TIN PLATE OVER NICKEL PLATE
 NON-PLATED EDGES PERMISSABLE
 THREADED NUT: NICKEL PLATE
- △ CONTACT FINISH: CONFORMS TO THE REQUIREMENTS OF TE PRODUCT SPECIFICATION, 108-2399. BASED ON EIA/ECA-364-1000.01A. (CONTROLLED ENVIRONMENT APPLICATIONS) ON MATING END. TIN PLATED ON PCB TAIL
4. THREAD LENGTH OF FASTENER = PCB THICKNESS+1.45 MAX
5. THIS PRODUCT HAS NOT COMPLETED VALIDATION/QUALIFICATION TESTING
- △ RECOMMENDED TRACE KEEP OUT ZONE



2149375-1
 PART NUMBER

THIS DRAWING IS A CONTROLLED DOCUMENT.		DWN: P. KERLIN 06DEC2010	NAME: RECEPTACLE ASSEMBLY, MINI-SAS HD, 4X	
DIMENSIONS: mm		CHK: J. SECHRIST 06DEC2010	PRODUCT SPEC: 108-2462	
TOLERANCES UNLESS OTHERWISE SPECIFIED:		APVD: -	APPLICATION SPEC: 114-13316	
9 PLC ±		WEIGHT: -		
1 PLC ±		CUSTOMER DRAWING		
2 PLC ±		SCALE: 6:1		
3 PLC ±		SHEET: 1 OF 3		
4 PLC ±		REV: 9		
ANGLES ±		RESTRICTED TO: -		
FINISH: -		SIZE: A100779 C=2149375		

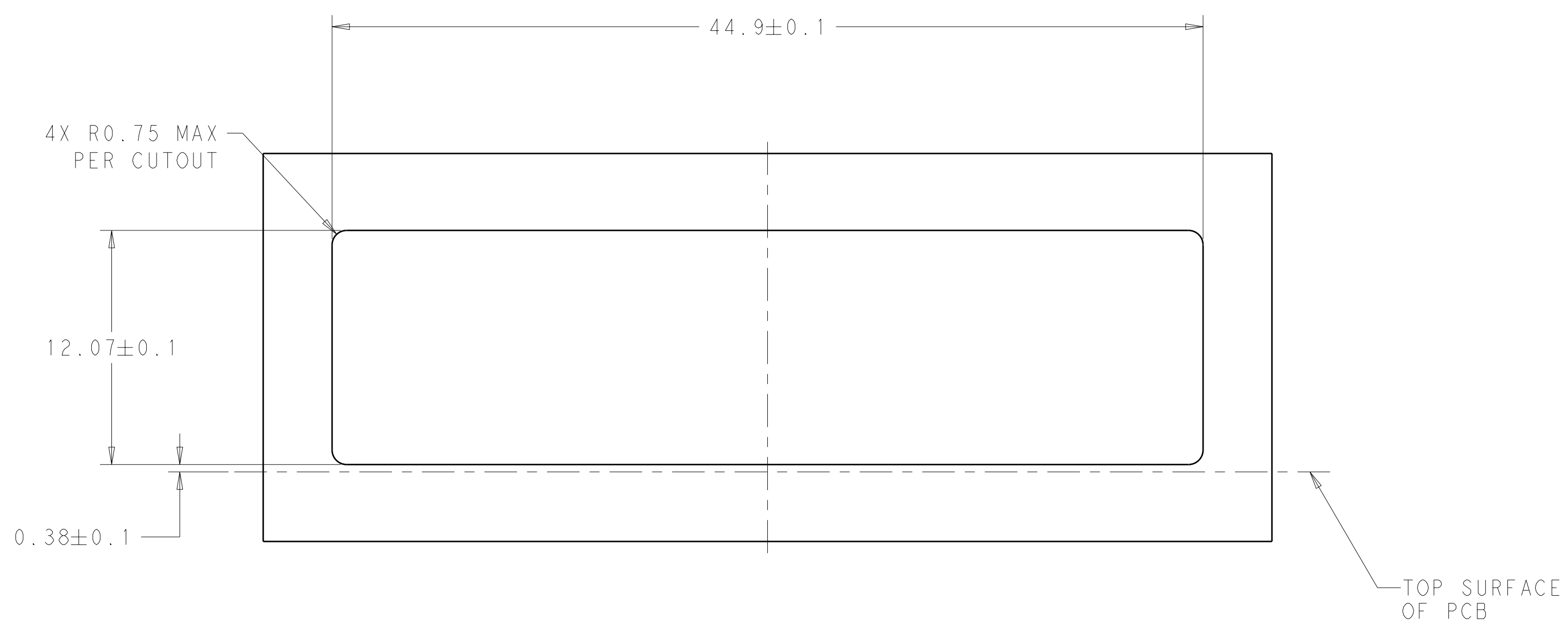
LOC	DIST	REVISIONS			
AG	00	REV	DATE	BY	APPD
		1	SEE SHEET 1		



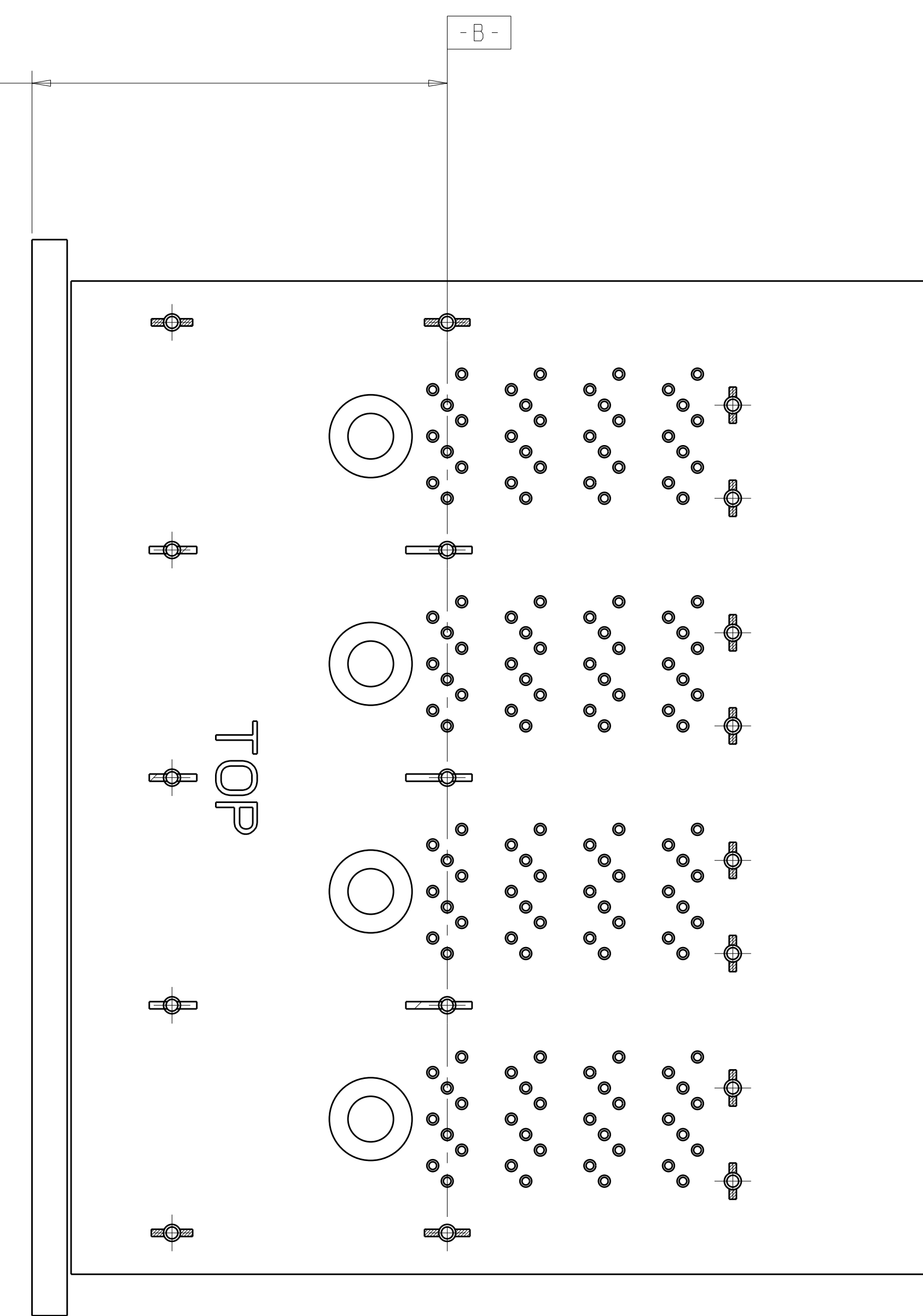
THIS DRAWING IS A CONTROLLED DOCUMENT.		DWN P. KERLIN 06DEC2010	TE Connectivity RECEPTACLE ASSEMBLY, MINI-SAS HD, 4X	
DIMENSIONS: mm		CHK J. SECHRIST 06DEC2010		
TOLERANCES UNLESS OTHERWISE SPECIFIED:		APVD	PRODUCT SPEC	RESTRICTED TO
0 PLC ± 1 PLC ± 2 PLC ± 3 PLC ± 4 PLC ± ANGLES ±		NAME	108-2462	SIZE CAGE CODE DRAWING NO
MATERIAL		APPLICATION SPEC	114-13316	A100779C=2149375
FINISH		WEIGHT	CUSTOMER DRAWING	SCALE 6:1 SHEET 2 OF 3 REV 9

LOC	DIST	REVISIONS			
AG	00	REV	DATE	DWN	APVD
-	-	SEE SHEET 1	-	-	-

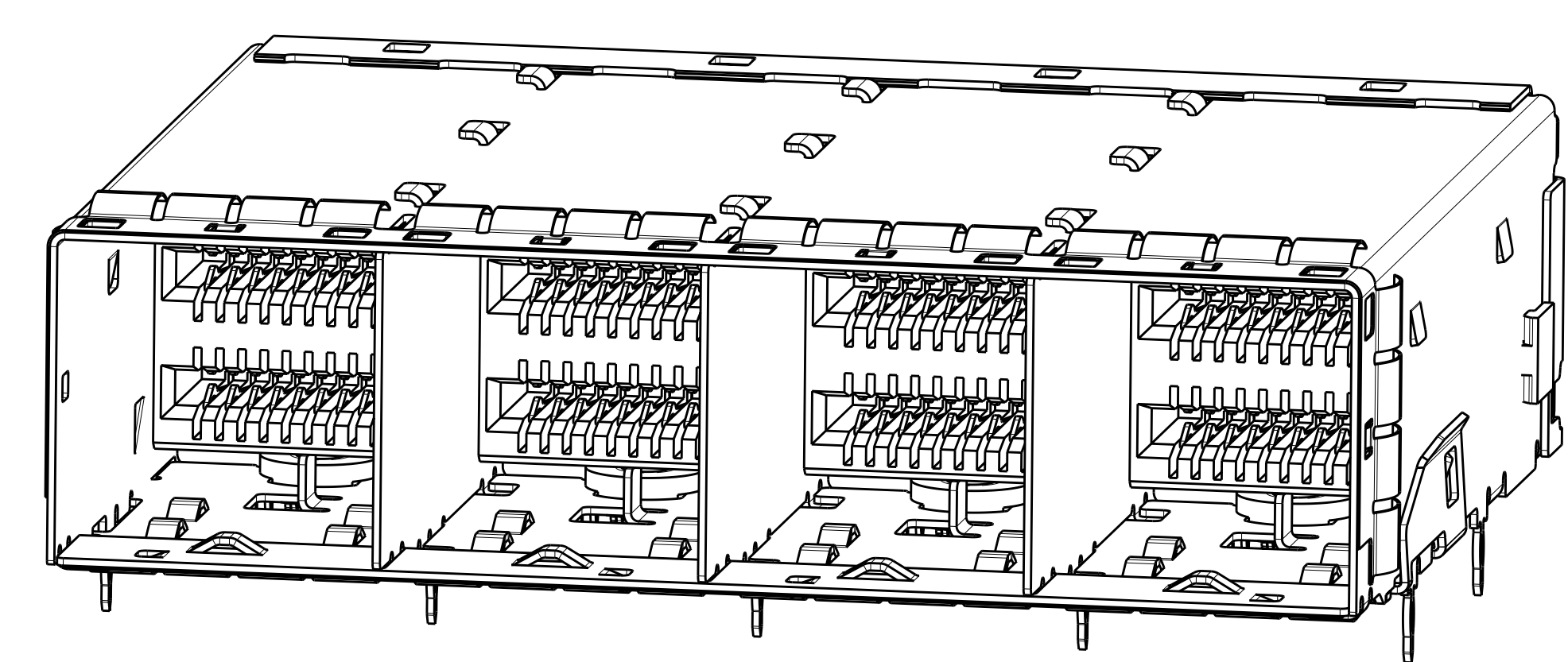
19 PCI APPLICATION
 20.08 ALL OTHER APPLICATIONS



RECOMMENDED I/O PANEL CUTOUT
 SCALE=5:1



PANEL/PCB ASSEMBLY
 SCALE=5:1



THIS DRAWING IS A CONTROLLED DOCUMENT.		DWN P. KERLIN 06DEC2010		
DIMENSIONS: mm		CHK J. SECHRIST 06DEC2010		
TOLERANCES UNLESS OTHERWISE SPECIFIED:		APVD -	NAME	
0 PLC ± 1 PLC ± 2 PLC ± 3 PLC ± 4 PLC ± ANGLES ± FINISH ±		PRODUCT SPEC	RECEPTACLE ASSEMBLY, MINI-SAS HD, 4X	
MATERIAL		108-2462	SIZE CAGE CODE DRAWING NO	
		APPLICATION SPEC	A100779C=2149375	
		114-13316	RESTRICTED TO	
		WEIGHT	SCALE 6:1 SHEET 3 OF 3 REV 9	
		CUSTOMER DRAWING		