



Have a Question?  
Chat with a Product Information Specialist

What can we help you find?

Products Industries Resources About TE My Account Innovation Support Center

206038-4 Product Details

Share Print Email



206038-4

TE Internal Number: 206038-4

Active

View 3D PDF

CPC (Circular Plastic) and Circular Metal-Shell Connectors

Always EU RoHS/ELV Compliant (Statement of Compliance)

Product Highlights:

- Housing
- Connector Style = Receptacle
- 28 Positions
- 28 Signal Positions
- 0 Power Positions

View all Features

Quick Links

- Pricing & Availability
- Search for Tooling
- View Mating Products (1)
- Product Feature Selector
- Contact Us About This Product

Add to My Part List Request Sample Find Similar Products Buy Product

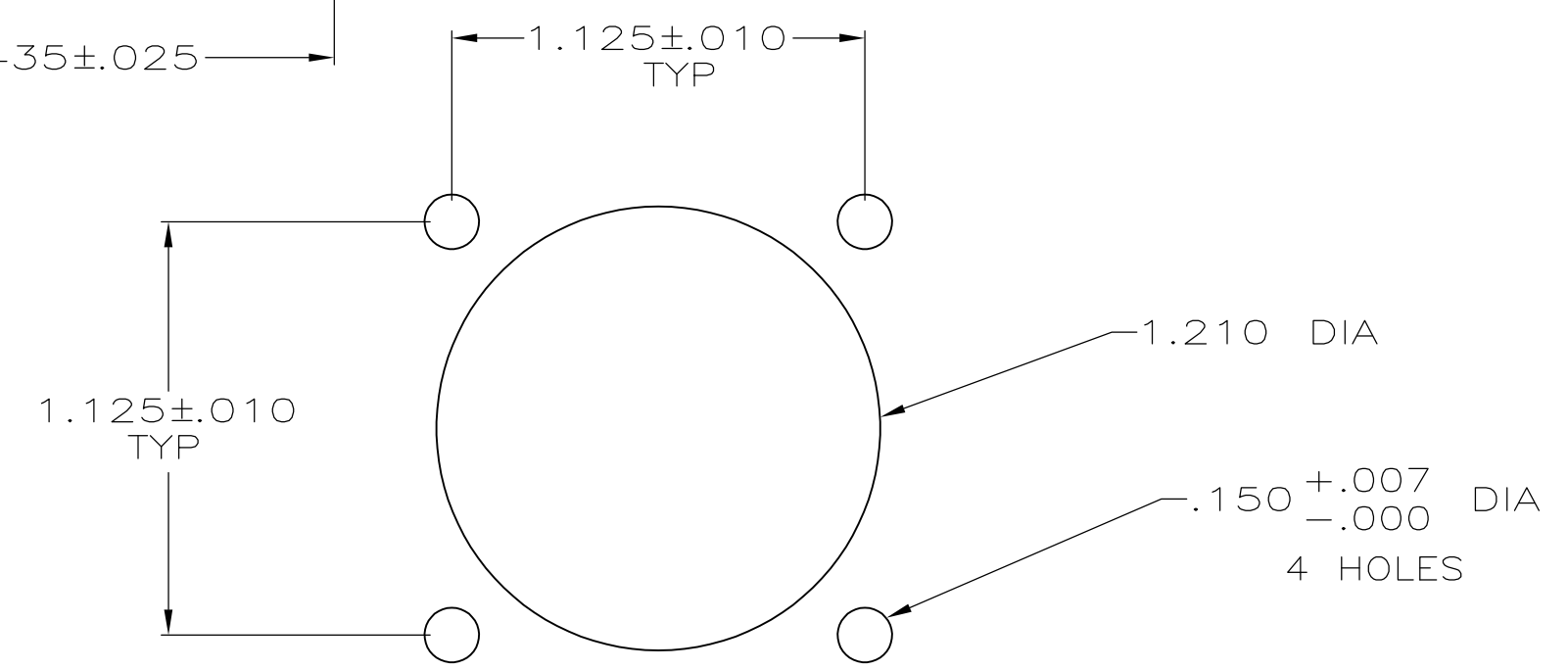
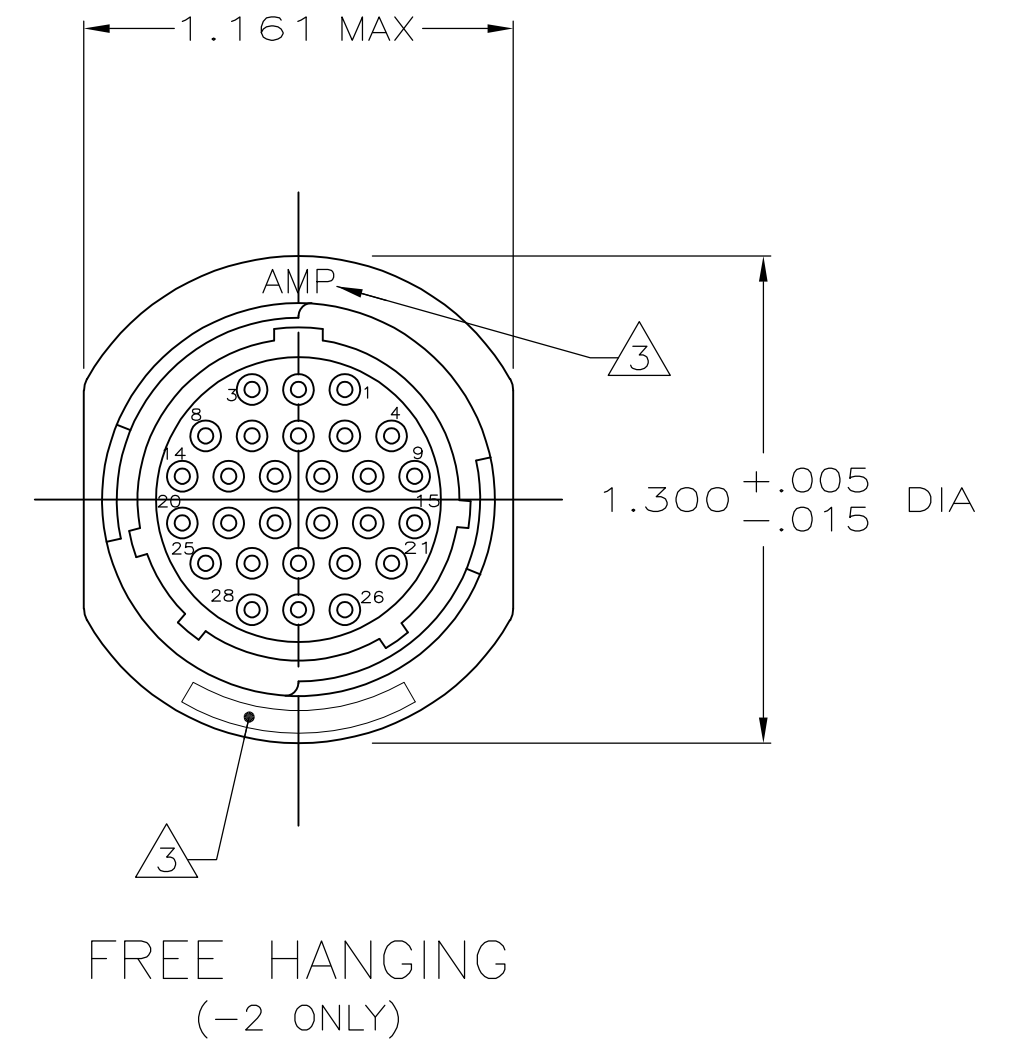
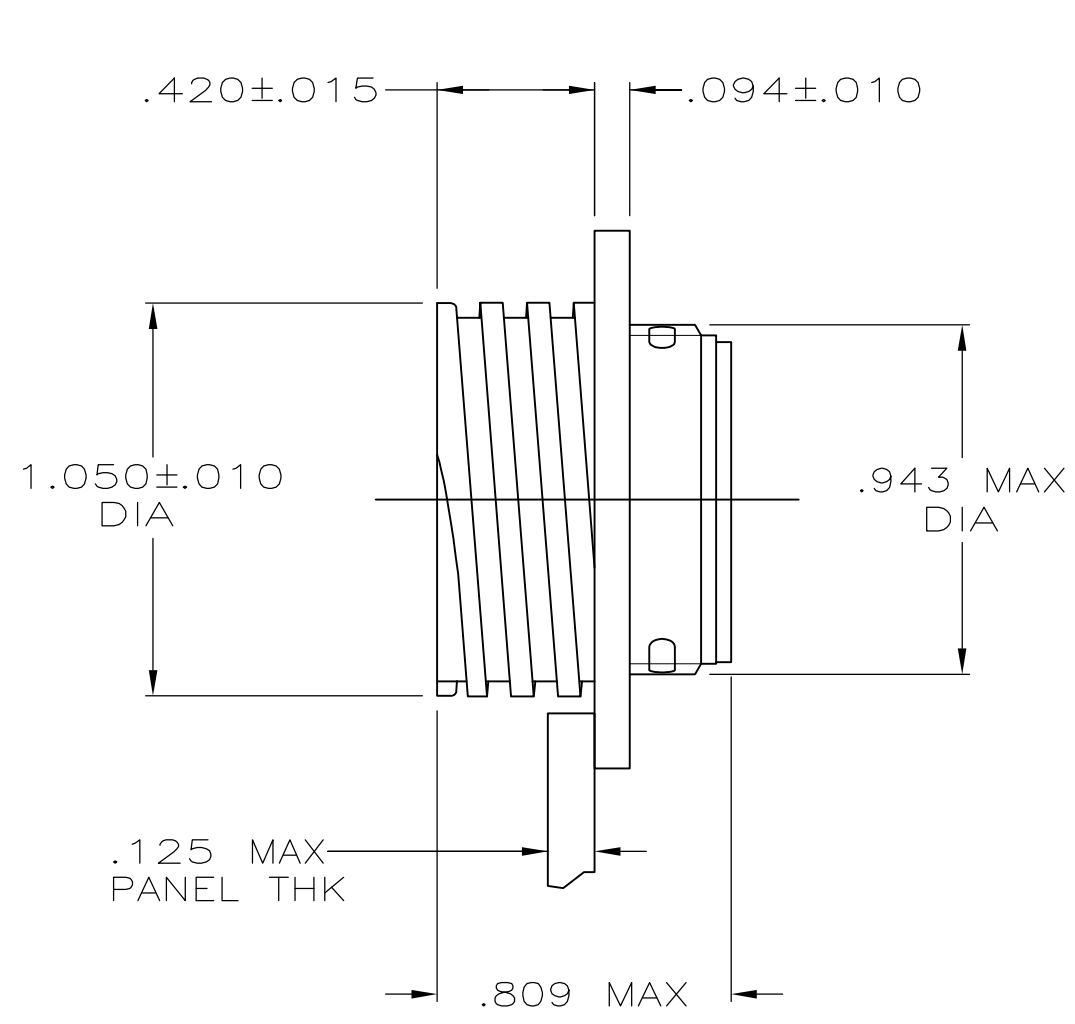
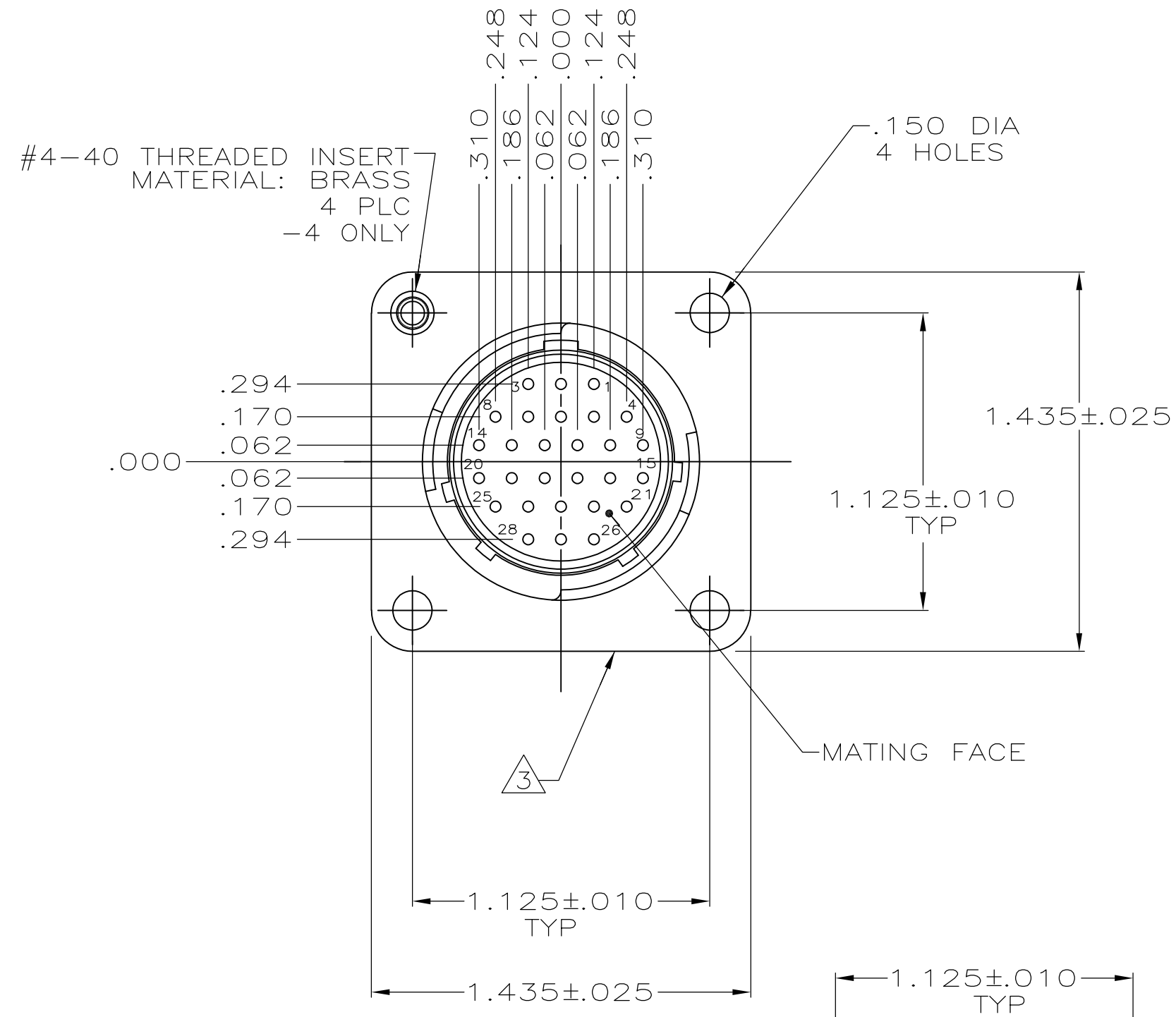
Documentation & Additional Information	
<p><b>Product Drawings:</b></p> <ul style="list-style-type: none"> <li>RECEPTACLE ASSEMBLY, REV SEX, SERIES 2, 17-28, CPC (PDF, English)</li> </ul> <p><b>Catalog Pages/Data Sheets:</b></p> <ul style="list-style-type: none"> <li>AMP Circular Connectors for Commercial Signal &amp; Powe... (PDF, English)</li> </ul> <p><b>Product Specifications:</b></p> <ul style="list-style-type: none"> <li>None Available</li> </ul> <p><b>Application Specifications:</b></p> <ul style="list-style-type: none"> <li>None Available</li> </ul> <p><b>Instruction Sheets:</b></p> <ul style="list-style-type: none"> <li>None Available</li> </ul> <p><b>CAD Files:</b> (CAD Format &amp; Compression Information)</p> <ul style="list-style-type: none"> <li>2D Drawing (DXF, Version H)</li> <li>3D Model (IGES, Version H)</li> <li>3D Model (STEP, Version H)</li> </ul>	<p><b>Additional Product Images:</b></p> <ul style="list-style-type: none"> <li>Contact Arrangement</li> </ul> <p><b>Related Products:</b></p> <ul style="list-style-type: none"> <li>Tooling</li> <li>Mating Products (1)</li> </ul>

List all Documents

Product Features (Please use the Product Drawing for all design activity)	
<p><b>Product Type Features:</b></p> <ul style="list-style-type: none"> <li>Connector Type = Housing</li> <li>Mount Angle = Straight</li> <li>Shell Size = 17</li> <li>PCB Mount Retention = Without</li> <li>Shell Type = All Plastic</li> <li>Product Series = Series 2</li> <li>Thread Size = 15/16-20 UNEF-2A</li> <li>Sealed = No</li> </ul> <p><b>Mechanical Attachment:</b></p> <ul style="list-style-type: none"> <li>Mount = Panel</li> <li>Mating Retention Type = Threaded Coupling</li> </ul> <p><b>Body Features:</b></p> <ul style="list-style-type: none"> <li>Mount Style = Flange with Threaded Inserts</li> </ul> <p><b>Contact Features:</b></p> <ul style="list-style-type: none"> <li>Contact Type = Socket</li> <li>Reverse Gender = Reverse</li> </ul> <p><b>Housing Features:</b></p> <ul style="list-style-type: none"> <li>Connector Style = Receptacle</li> <li>Mating Alignment Type = Keyed</li> <li>Housing Material = Thermoplastic - GF</li> <li>Housing Color = Black</li> <li>III Flammability Rating = III 94V-0</li> </ul>	<p><b>Configuration Features:</b></p> <ul style="list-style-type: none"> <li>Number of Positions = 28</li> <li>Number of Signal Positions = 28</li> <li>Number of Power Positions = 0</li> <li>Environmental Protection = Without</li> <li>Reverse Numbering = Without</li> </ul> <p><b>Industry Standards:</b></p> <ul style="list-style-type: none"> <li>VDE Tested = No</li> <li>RoHS/ELV Compliance = RoHS compliant, ELV compliant</li> <li>Lead Free Solder Processes = Not relevant for lead free process</li> <li>RoHS/ELV Compliance History = Always was RoHS compliant</li> </ul> <p><b>Environmental:</b></p> <ul style="list-style-type: none"> <li>Fluid Resistance = None</li> </ul> <p><b>Conditions for Usage:</b></p> <ul style="list-style-type: none"> <li>Accepts Wire Insulation Diameter, Range (mm [in]) = 1.73 [0.068]</li> </ul> <p><b>Other:</b></p> <ul style="list-style-type: none"> <li>Brand = AMP</li> </ul>

THIS DRAWING IS UNPUBLISHED. RELEASED FOR PUBLICATION  
 © COPYRIGHT - By - ALL RIGHTS RESERVED.

LOC	DIST	REVISIONS			
P	LTR	DESCRIPTION	DATE	DWN	APVD
BD	35	H1	REVISED PER ECO-11-004820	11MAR11	RK HMR



PANEL CUTOUT

- CONTACT CAVITIES IDENTIFIED BY CHARACTERS ON FRONT AND REAR FACES OF CONNECTOR.
  - WILL ACCEPT (28) SIZE 20 SOCKET CONTACTS.
- AMP AND PART NUMBER THIS AREA.

206038-4
206038-2
206038-1
PART NUMBER

THIS DRAWING IS A CONTROLLED DOCUMENT.		DWN	A.STAUB BG	4/5/91		TE Connectivity		
DIMENSIONS: INCHES		CHK	W.G.LENKER	7-24-92		NAME		
TOLERANCES UNLESS OTHERWISE SPECIFIED:		APVD	K.BEAVER	7-24-92		RECEPTACLE ASSEMBLY, REV SEX, SERIES 2, 17-28, CPC		
0 PLC ± - 1 PLC ± - 2 PLC ± - 3 PLC ± .005 4 PLC ± - ANGLES ± - FINISH -		PRODUCT SPEC	108-10024			SIZE	CAGE CODE	DRAWING NO
MATERIAL: THERMOPLASTIC, BLACK		WEIGHT	-		A2	00779	C=206038	
		CUSTOMER DRAWING		SCALE	2:1	SHEET	1 OF 1	
				RESTRICTED TO	REV H1			