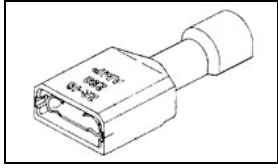


2-520083-2 Product Details



2-520083-2

TE Internal Number: 2-520083-2



Ultra-Fast Receptacles & Tabs

 Always EU RoHS/ELV Compliant (Statement of Compliance)

Product Highlights:

- Terminal Type = Receptacle
- Proprietary Name = Ultra-Fast
- Receptacle Style = Straight
- Mating Area Interface Dimensions = 2.79 x 0.51 mm, 3.18 x 0.51 mm
- Brass Material

Documentation & Additional Information

Product Drawings:

- [RECEPTACLE ASSY,ULTRA-FAST, .110/.125 SERIES, 22-18 AWG \(PDF, English\)](#)

Catalog Pages/Data Sheets:

- [Ultra-Fast and Ultra Fast Plus \(PDF, English\)](#)

Product Specifications:

- [Ultra-Fast Fully Insulated FASTON Receptacle Terminals \(PDF, English\)](#)

Application Specifications:

- None Available

Instruction Sheets:

- None Available

CAD Files: (CAD Format & Compression Information)

- [2D Drawing \(DXF, Version T\)](#)
- [3D Model \(IGES, Version T\)](#)
- [3D Model \(STEP, Version T\)](#)

Additional Information:

- [Product Line Information](#)

Related Products:

- [Tooling](#)

Product Features (Please use the Product Drawing for all design activity)

Product Type Features:

- Terminal Type = Receptacle
- [Receptacle Style](#) = Straight
- [Insulation Support](#) = Non-Insulation Support
- Finish = Tin

Dimensions:

- [Mating Area Interface Dimensions \(mm \[in\]\)](#) = 2.79 x 0.51 [.110 x .020], 3.18 x 0.51 [.125 x .020]
- [Insulation Diameter \(mm \[in\]\)](#) = 3.05 [.120] Max.

Body Features:

- [Material](#) = Brass
- [Wire Range \(mm \[AWG\]\)](#) = 0.30-0.90² [22-18]
- Fully Insulated = Yes

Housing Features:

- UL Flammability Rating = UL 94V-2

Industry Standards:

- [RoHS/ELV Compliance](#) = RoHS compliant, ELV compliant
- [Lead Free Solder Processes](#) = Not relevant for lead free process
- RoHS/ELV Compliance History = Always was RoHS compliant

Packaging Features:

- [Packaging Method](#) = Strip

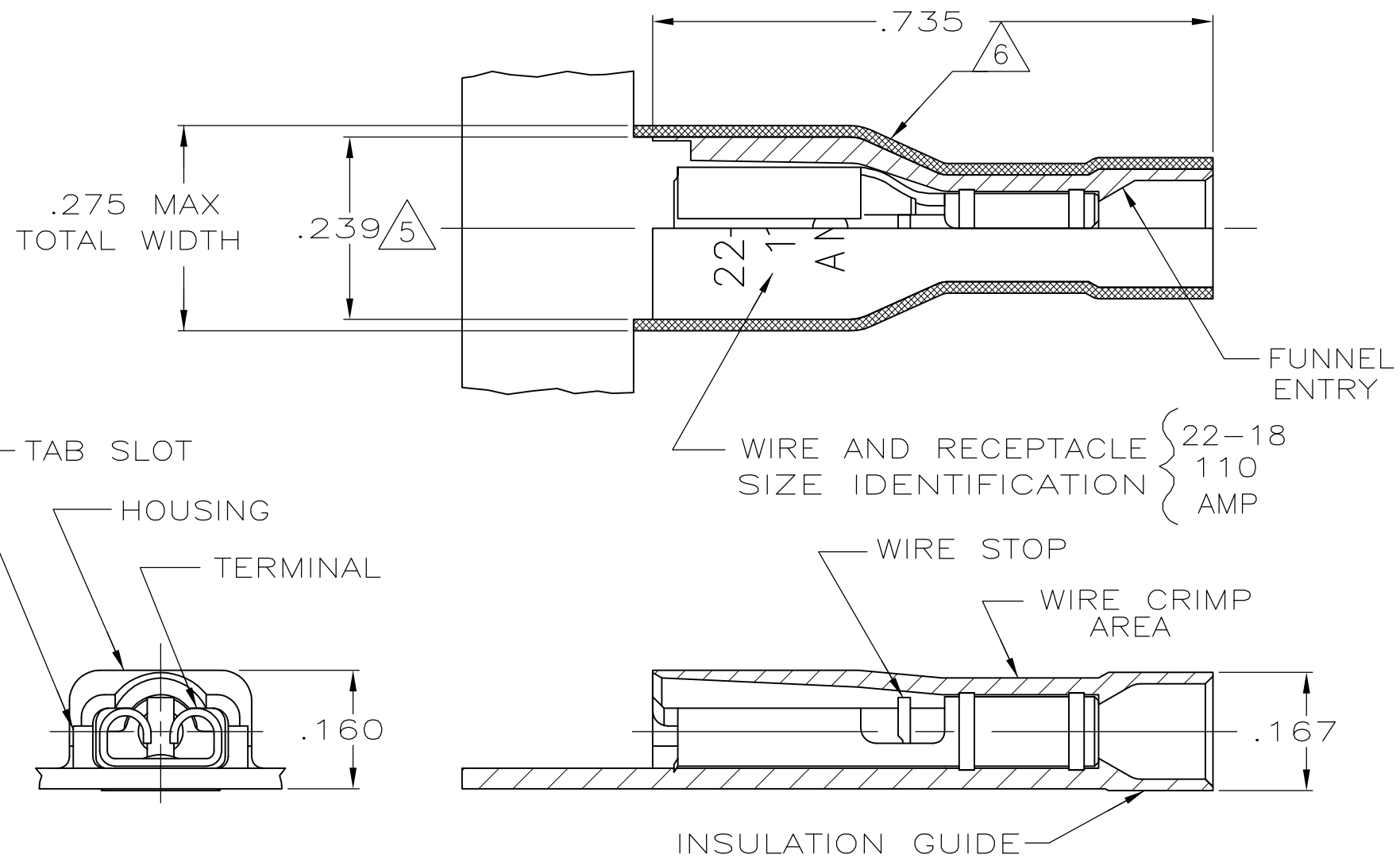
Other:

- [Proprietary Name](#) = Ultra-Fast
- Brand = AMP

THIS DRAWING IS UNPUBLISHED. RELEASED FOR PUBLICATION
 © COPYRIGHT - By - ALL RIGHTS RESERVED.

LOC	DIST	REVISIONS					
		P	LTR	DESCRIPTION	DATE	DWN	APVD
AF	50		V	REVISED PER ECR-13-004343	30JUL13	KH	KR

- 1 MATES WITH .020±.001X.110 OR .125 TAB PER NEMA DC-2.
- 2 WIRE STRIP LENGTH .281
- 3 INSULATION SIZE .120 MAX DIA
- 4 CONTINUOUS STRIP ON REELS
- △5 DIMENSION DOES NOT INCLUDE TRIM BURR
- △6 .015 MAX CARRIER TRIM BURR PER SIDE IS ALLOWABLE IN THE SHADED AREA



HOUSING: NYLON, COLOR-RED TRANSLUCENT	2-520083-2
RECEPTACLE: BRASS TIN	
MATERIAL & FINISH	PART NO

THIS DRAWING IS A CONTROLLED DOCUMENT.		DWN P FORTNEY 11/9/88	STE TE Connectivity	
DIMENSIONS: INCHES		CHK MS FEHER 11/9/88		
TOLERANCES UNLESS OTHERWISE SPECIFIED:		APVD TL SHUTTER 11/11/88	NAME RECEPTACLE ASSY, ULTRA-FAST, .110/.125 SERIES, 22-18 AWG	
0 PLC ± -		PRODUCT SPEC 108-2043	SIZE	
1 PLC ± -		APPLICATION SPEC 114-2123	CAGE CODE	DRAWING NO
2 PLC ± -		WEIGHT -	A3	00779
3 PLC ± .015		CUSTOMER DRAWING	C-520083	
4 PLC ± -		SCALE	SHEET	
ANGLES ± -		5:1	1 OF 1	
FINISH		RESTRICTED TO	REV	
SEE TABLE		-		V