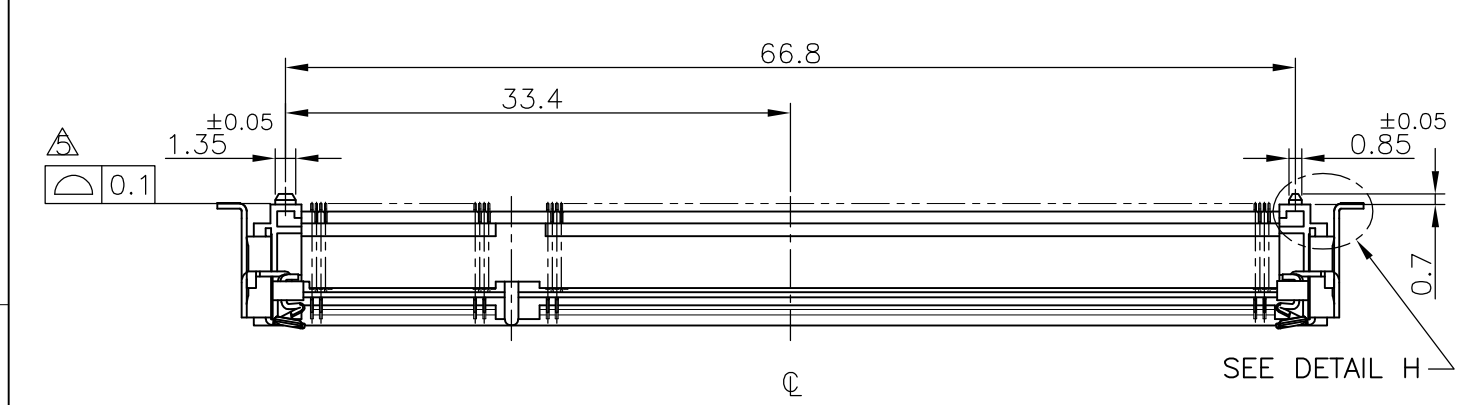
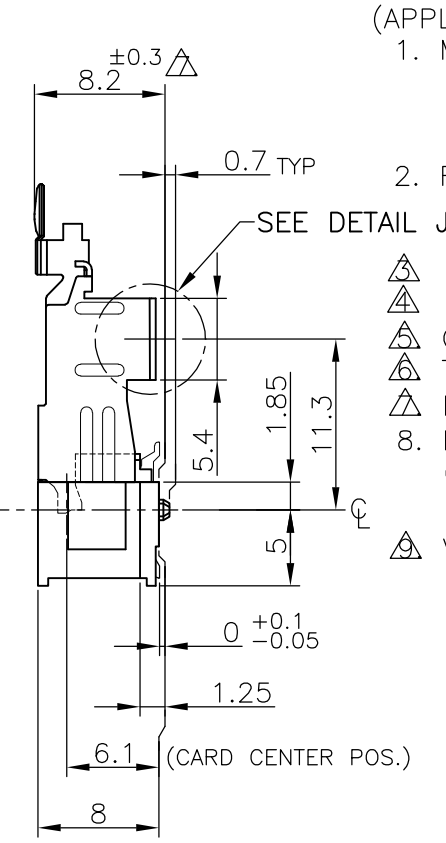
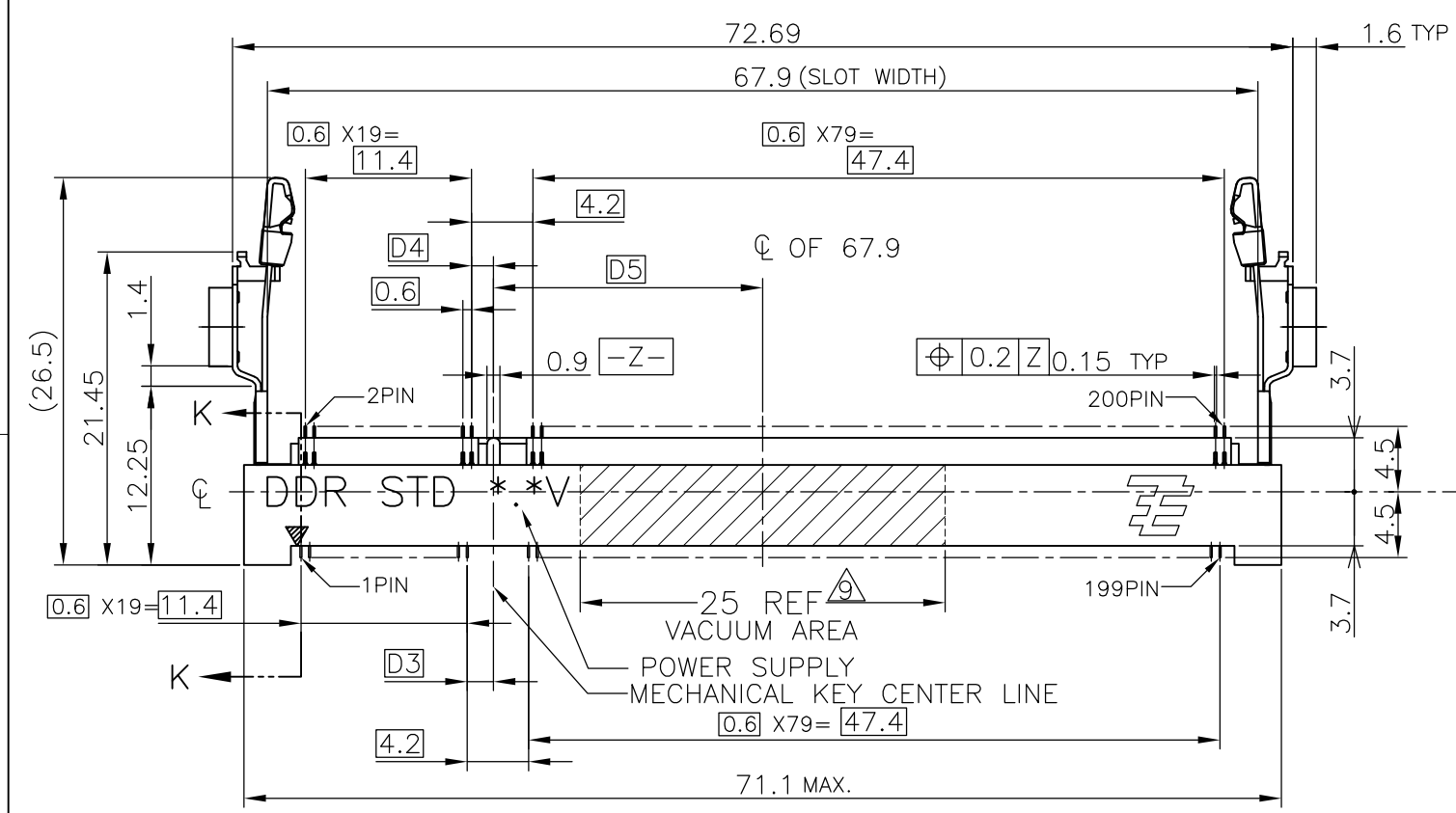
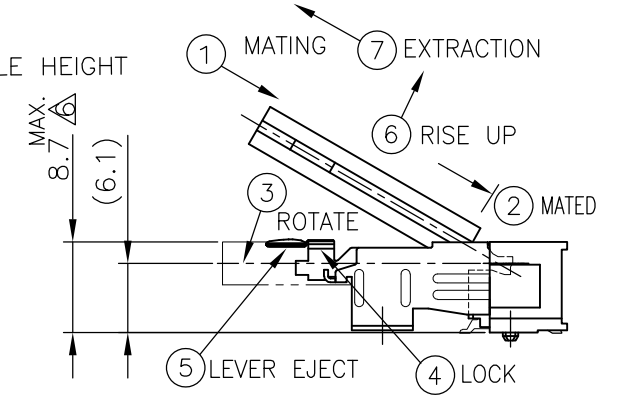
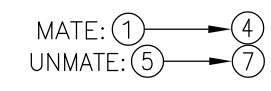


THIS DRAWING IS UNPUBLISHED. RELEASED FOR PUBLICATION FEB. 2005.  
 © COPYRIGHT 2005 By - ALL RIGHTS RESERVED.

| LOC |   | DIST |     | REVISIONS                 |         |     |      |
|-----|---|------|-----|---------------------------|---------|-----|------|
| ES  | / | P    | LTR | DESCRIPTION               | DATE    | DWN | APVD |
|     |   |      | G2  | REVISED PER ECO-11-005033 | 29MAR11 | RK  | HMR  |

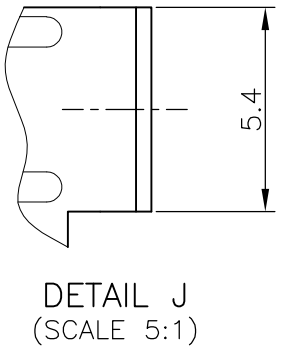
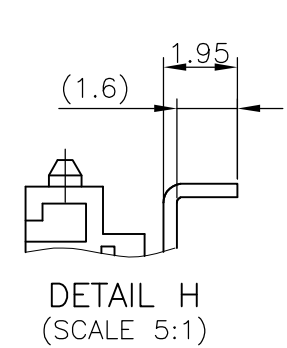
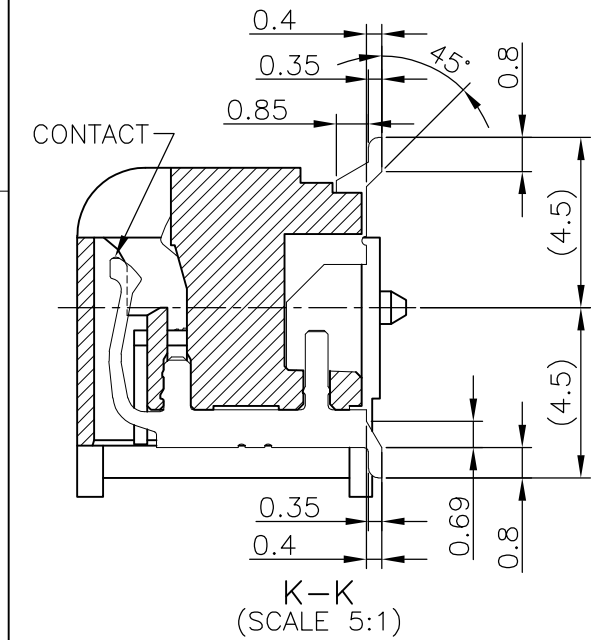


**HOW TO MATE AND UNMATE**



(APPLIED TO SHEET 1-2)

- MATERIAL ; HOUSING:HIGH TEMPERATURE THERMO PLASTIC UL94V-0, COLOR : BLACK  
 CONTACT : COPPER ALLOY  
 LOCK LEVER : STAINLESS STEEL
- FINISH ; CONTACT : Au PL. IN CONTACT AREA AND SOLDERING AREA ON NICKEL UNDER PL.  
 SOLDERING AREA(LOCK LEVER) : TIN PL.
- MECHANICAL KEY POSITION OF CONNECTOR SEE TABLE.
- TOLERANCES NON-CUMMURATIVE.
- COPLANARITY: 0.1MAX
- THE FLOATING VALUE BY SOLDERING IS NOT INCLUDED.
- NOT MATING CONDITION.
- IF THE MODULE DOESN'T INSERT AND LOCK IN THE LATCH SMOOTHLY, OPEN WIDE BOTH LATCHES BY MANUAL. AND THE MODULE MUST BE INSERTED AND LOCKED IN THE LATCH.
- VACUUM AREA MUST BE FLAT AND NO HOT MARK.



GENERAL TOLERANCE  
 10 ≥ : ±0.2  
 30 ≥ > 10: ±0.25  
 100 ≥ > 30: ±0.3  
 ANGLES: ±3°

|                |                     |       |     |     |     |           |
|----------------|---------------------|-------|-----|-----|-----|-----------|
| AVAILABLE      | 1.8V (DDR2)         | 17.55 | 2.4 | 2.7 | 200 | 1827341-4 |
| NOT AVAILABLE  | 2.5V (DDR1)         | 18.45 | 1.5 | 1.8 | 200 | -         |
| TOOLING STATUS | POWER SUPPLY (TYPE) | D5    | D4  | D3  | POS | PART NO.  |

THIS DRAWING IS A CONTROLLED DOCUMENT.

DWN T.FUMIKURA 04FEB05  
 CHK  
 APVD  
 PRODUCT SPEC 108-5701  
 APPLICATION SPEC

**STE** TE Connectivity

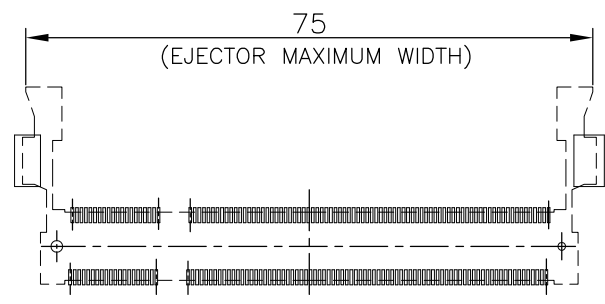
NAME  
 DDR1 & DDR2 SODIMM SOCKET 0.6mm PITCH  
 200POS 8mm HEIGHT STANDARD TYPE  
 (LATCH DIRECT SOLDERING TYPE)

SIZE A3 CAGE CODE 00779 DRAWING NO C-1827341 RESTRICTED TO

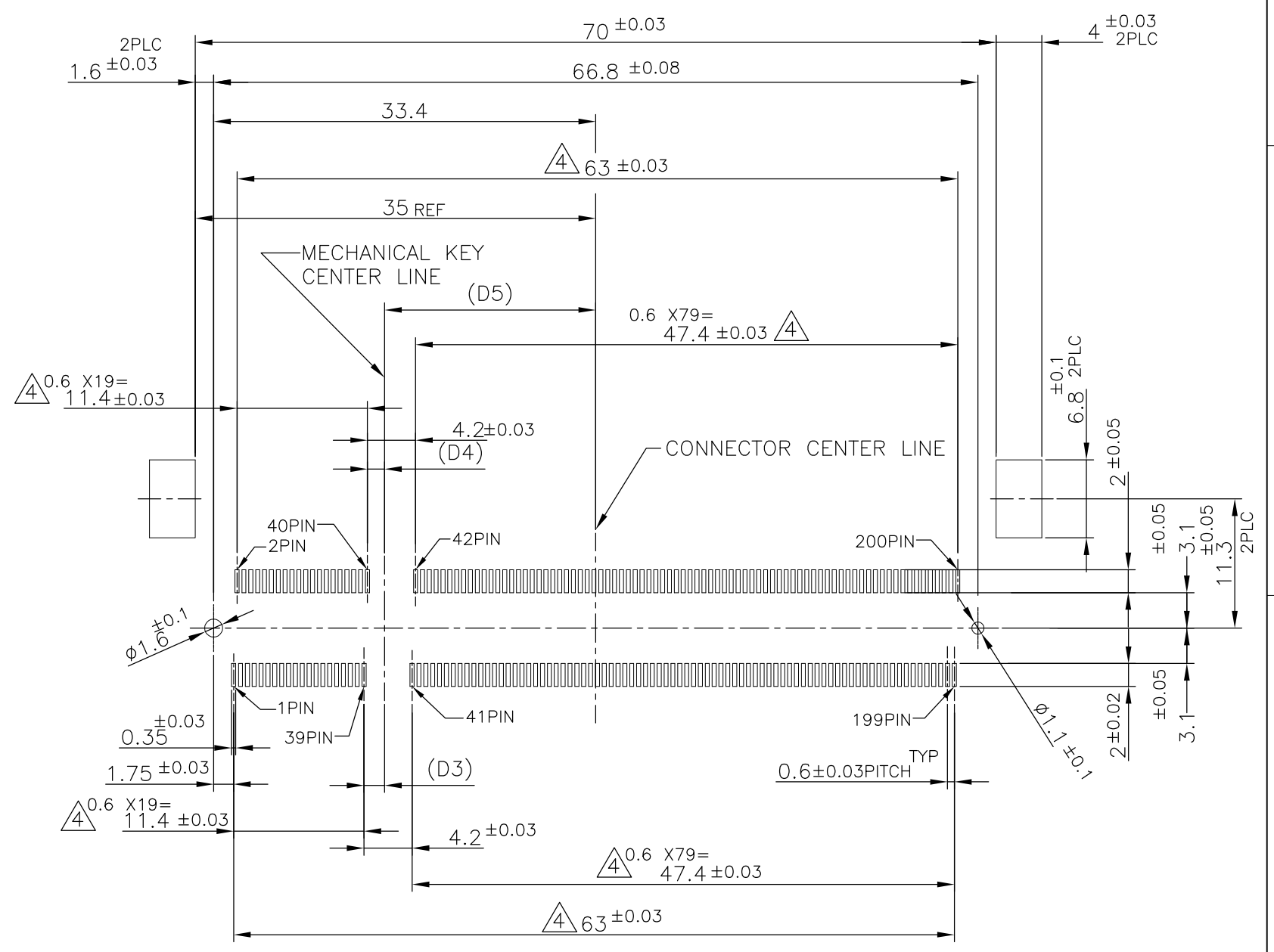
WEIGHT  
 CUSTOMER DRAWING SCALE 2:1 SHEET 1 OF 4 REV G2

THIS DRAWING IS UNPUBLISHED. RELEASED FOR PUBLICATION FEB ,2005.  
 © COPYRIGHT 2005 By - ALL RIGHTS RESERVED.

| LOC | DIST | REVISIONS   |      |     |      |
|-----|------|-------------|------|-----|------|
| P   | LTR  | DESCRIPTION | DATE | DWN | APVD |
| ES  |      | SEE SHEET 1 | -    | -   | -    |



REAL SIZE (SCALE 1:1)

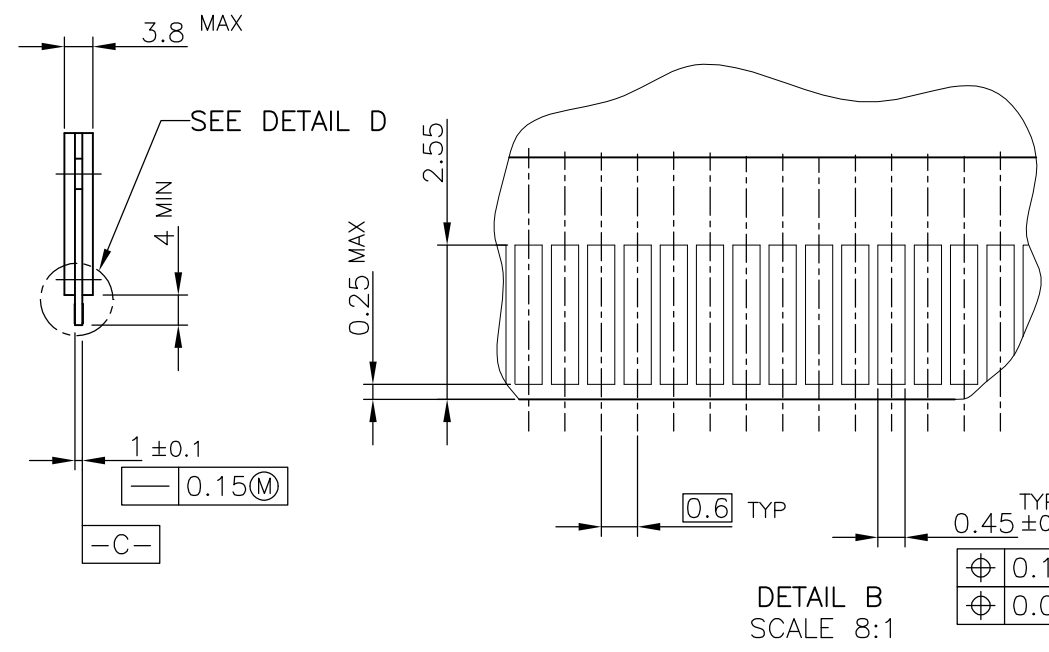
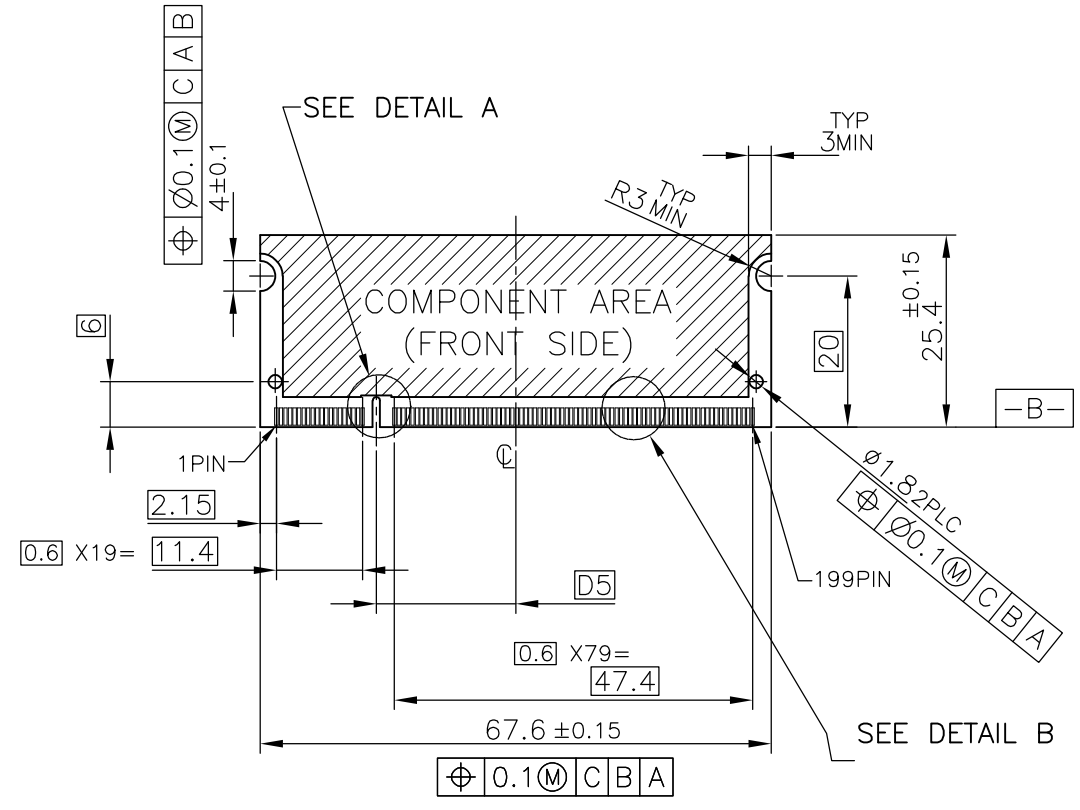


REFERENCE P.C.BOARD PATTERN LAYOUT FOR DUAL USE  
(CONNECTOR MOUNTING SIDE)

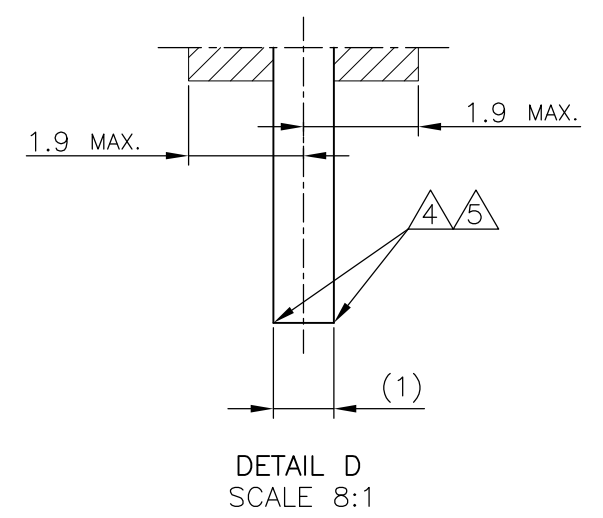
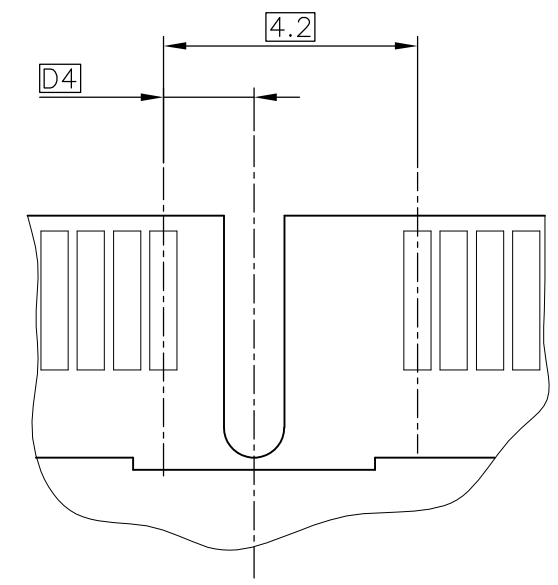
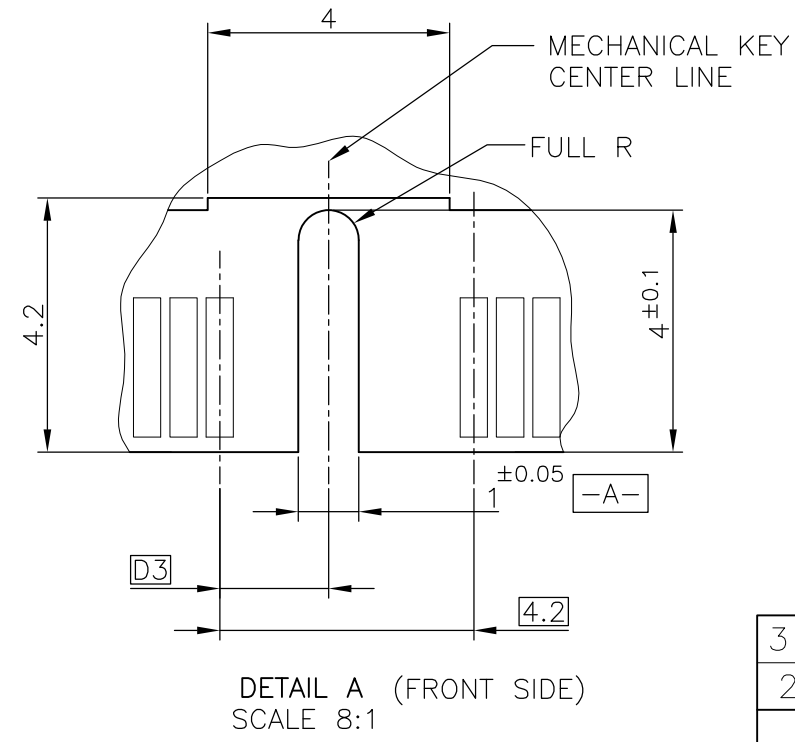
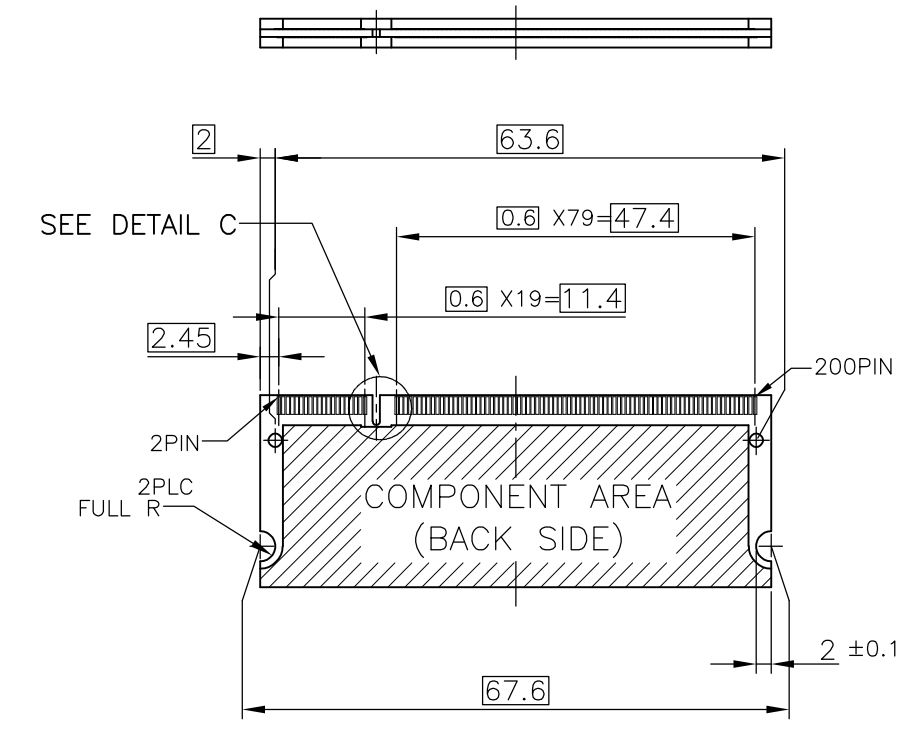
|   |  |                  |   |           |            |               |
|---|--|------------------|---|-----------|------------|---------------|
| THIS DRAWING IS A CONTROLLED DOCUMENT.                                      |  | DWN              | TE Connectivity   |           |            |               |
| DIMENSIONS: MM  |  | CHK              |   |           |            |               |
| TOLERANCES UNLESS OTHERWISE SPECIFIED:                                      |  | APVD             | NAME  |           |            |               |
| 0 PLC ±<br>1 PLC ±<br>2 PLC ±<br>3 PLC ±<br>4 PLC ±<br>ANGLES ±<br>FINISH ± |  | PRODUCT SPEC     | DDR1 & DDR2 SODIMM SOCKET 0.6mm PITCH<br>200POS 8mm HEIGHT STANDARD TYPE<br>(LATCH DIRECT SOLDERING TYPE) |           |            |               |
| MATERIAL  |  | APPLICATION SPEC | SIZE  | CAGE CODE | DRAWING NO | RESTRICTED TO |
|   |  | WEIGHT           | A3  | 00779     | C-1827341  |               |
| CUSTOMER DRAWING  |  |                  | SCALE   | SHEET     | REV        |               |
|   |  |                  | 2:1   | 2 OF 4    | G2         |               |

THIS DRAWING IS UNPUBLISHED. RELEASED FOR PUBLICATION FEB ,2005.  
 © COPYRIGHT 2005 By - ALL RIGHTS RESERVED.

| LOC | DIST | REVISIONS   |      |     |      |
|-----|------|-------------|------|-----|------|
| P   | LTR  | DESCRIPTION | DATE | DWN | APVD |
| ES  |      | SEE SHEET 1 | -    | -   | -    |



- (APPLIED TO SHEET 3)
1. TOLERANCES ON ALL DIMENSIONS ± 0.15 UNLESS OTHERWISE SPECIFIED.
  2. P.C.BOARD THICKNESS APPLIES ACROSS TABS AND INCLUDES PLATING AND/OR METALIZATION.
  3. FINISH OF PAD : GOLD PLATING 0.00076 MIN. OVER Ni PLATING 0.002MIN.
- △ NO BURR.
- △ CHAMFER 0.25 MAX x 45° IF EXIST.



|       |
|-------|
| 31.75 |
| 25.4  |
| H     |

|              |       |     |     |
|--------------|-------|-----|-----|
| 1.8V         | 17.55 | 2.4 | 2.7 |
| 2.5V         | 18.45 | 1.5 | 1.8 |
| POWER SUPPLY | D5    | D4  | D3  |

推奨基板仕様  
 RECOMMENDED MATING P.C.B CONFIGRATION

THIS DRAWING IS A CONTROLLED DOCUMENT.

DIMENSIONS: MM

TOLERANCES UNLESS OTHERWISE SPECIFIED:

|        |   |
|--------|---|
| 0 PLC  | ± |
| 1 PLC  | ± |
| 2 PLC  | ± |
| 3 PLC  | ± |
| 4 PLC  | ± |
| ANGLES | ± |
| FINISH | ± |

MATERIAL

STE TE Connectivity

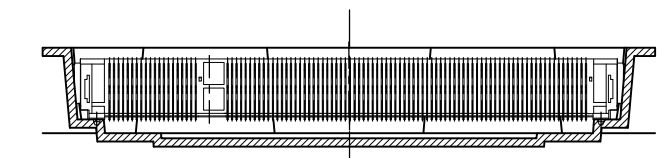
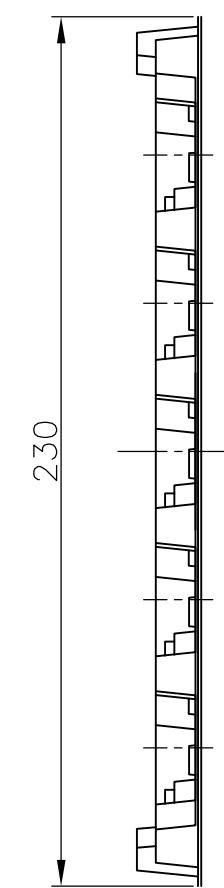
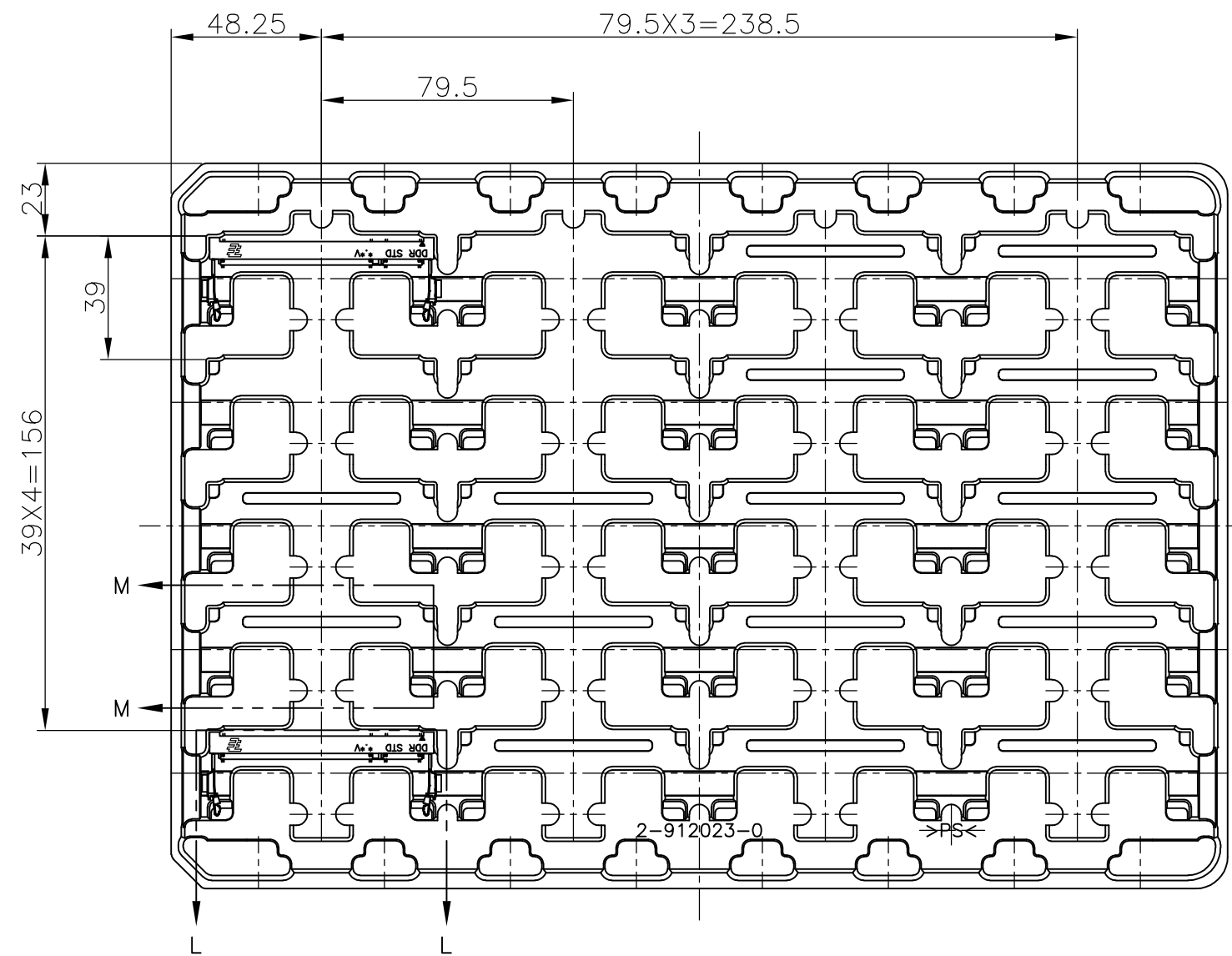
NAME: DDR1 & DDR2 SODIMM SOCKET 0.6mm PITCH 200POS 8mm HEIGHT STANDARD TYPE (LATCH DIRECT SOLDERING TYPE)

SIZE: A3 CAGE CODE: 00779 DRAWING NO: C-1827341 RESTRICTED TO

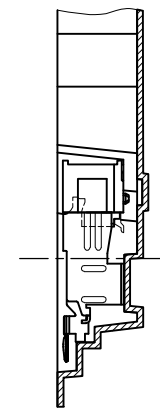
CUSTOMER DRAWING SCALE: 2:1 SHEET: 3 OF 4 REV: G2

THIS DRAWING IS UNPUBLISHED. RELEASED FOR PUBLICATION FEB , 2005.  
 © COPYRIGHT 2005 By - ALL RIGHTS RESERVED.

| LOC |     | DIST        |  | REVISIONS |     |      |  |
|-----|-----|-------------|--|-----------|-----|------|--|
| P   | LTR | DESCRIPTION |  | DATE      | DWN | APVD |  |
|     | -   | SEE SHEET 1 |  | -         | -   | -    |  |

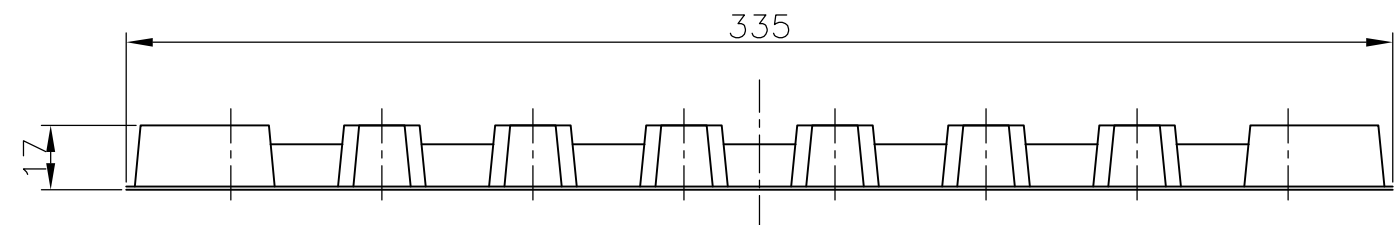


L-L  
SCALE 1:1  
(180DEG. ROTATE)



M-M  
SCALE 1:1

1. THE DIRECTION OF EACH CONNECTOR ON A TRAY IS REFERRED TO THIS DRAWING.
2. GENERAL TOLERANCE: ±0.5



|           |           |
|-----------|-----------|
| 20EA/TRAY | 1827341-4 |
| QTY       | P/N       |

|   |  |                  |  |   |               |
|---|--|------------------|--|---|---------------|
| THIS DRAWING IS A CONTROLLED DOCUMENT.  |  | DWN              |  | TE Connectivity   |               |
| DIMENSIONS: MM  |  | CHK              |  |   |               |
|   |  | APVD             |  |   |               |
| TOLERANCES UNLESS OTHERWISE SPECIFIED:<br>0 PLC ±<br>1 PLC ±<br>2 PLC ±<br>3 PLC ±<br>4 PLC ±<br>ANGLES ±<br>FINISH |  | NAME             |  |   |               |
| MATERIAL  |  | PRODUCT SPEC     |  | DDR1 & DDR2 SODIMM SOCKET 0.6mm PITCH<br>200POS 8mm HEIGHT STANDARD TYPE<br>(LATCH DIRECT SOLDERING TYPE) |               |
|   |  | APPLICATION SPEC |  | SIZE  | RESTRICTED TO |
|   |  | WEIGHT           |  | A3  |               |
|   |  | CUSTOMER DRAWING |  | CAGE CODE   | DRAWING NO    |
|   |  |                  |  | 00779   | G-1827341     |
|   |  |                  |  | SCALE   | SHEET         |
|   |  |                  |  | 1:2   | 4 OF 4        |
|   |  |                  |  | REV   | G2            |