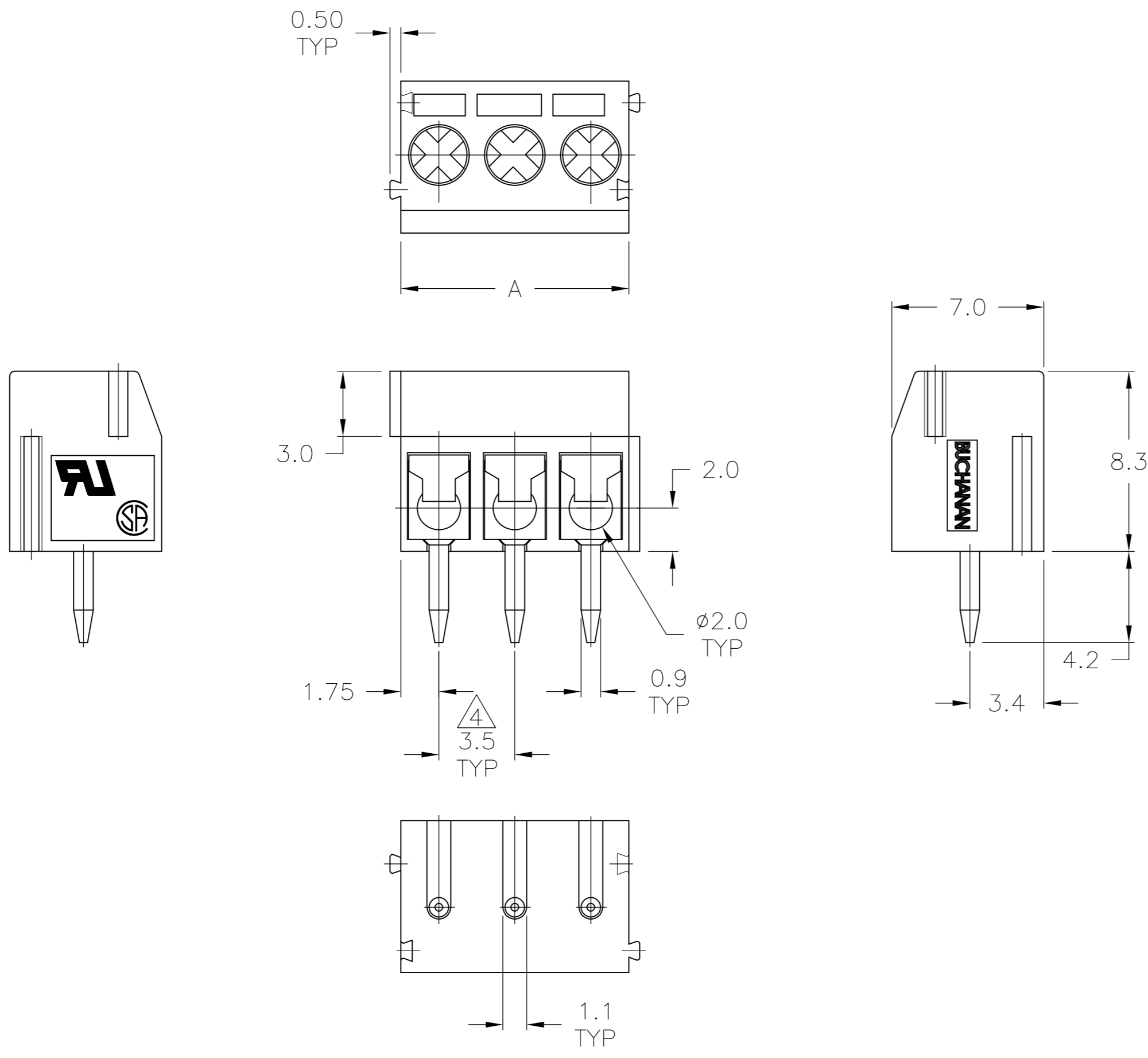


THIS DRAWING IS UNPUBLISHED. RELEASED FOR PUBLICATION
 © COPYRIGHT - By - ALL RIGHTS RESERVED.

| LOC | DIST | REVISIONS | | | | | |
|-----|------|-----------|-----|---------------------------|---------|-----|------|
| | | P | LTR | DESCRIPTION | DATE | DWN | APVD |
| FT | 0 | P | | REVISED PER ECO-11-004587 | 11MAR11 | RK | HMR |

- ALL DIMENSIONS ARE IN MM.
 - RECOMMENDED PC BOARD HOLE DIAMETER: 1.20-1.40.
 - BUCHANAN LOGO TO APPEAR ON HOUSING LOCATION OPTIONAL WHERE SPACE PERMITS.
- ⚠️ NON CUMULATIVE



| HOUSING COLOR | DIM A | NO OF POSN | PART NUMBER |
|---------------|-------|------------|-------------|
| BLACK | 42.00 | 12 | 4-1776275-2 |
| BLACK | 28.00 | 8 | 3-1776275-8 |
| BLUE | 84.00 | 24 | 2-1776275-4 |
| BLUE | 80.50 | 23 | 2-1776275-3 |
| BLUE | 77.00 | 22 | 2-1776275-2 |
| BLUE | 73.50 | 21 | 2-1776275-1 |
| BLUE | 70.00 | 20 | 2-1776275-0 |
| BLUE | 66.50 | 19 | 1-1776275-9 |
| BLUE | 63.00 | 18 | 1-1776275-8 |
| BLUE | 59.50 | 17 | 1-1776275-7 |
| BLUE | 56.00 | 16 | 1-1776275-6 |
| BLUE | 52.50 | 15 | 1-1776275-5 |
| BLUE | 49.00 | 14 | 1-1776275-4 |
| BLUE | 45.50 | 13 | 1-1776275-3 |
| BLUE | 42.00 | 12 | 1-1776275-2 |
| BLUE | 38.50 | 11 | 1-1776275-1 |
| BLUE | 35.00 | 10 | 1-1776275-0 |
| BLUE | 31.50 | 9 | 1776275-9 |
| BLUE | 28.00 | 8 | 1776275-8 |
| BLUE | 24.50 | 7 | 1776275-7 |
| BLUE | 21.00 | 6 | 1776275-6 |
| BLUE | 17.50 | 5 | 1776275-5 |
| BLUE | 14.00 | 4 | 1776275-4 |
| BLUE | 10.50 | 3 | 1776275-3 |
| BLUE | 7.00 | 2 | 1776275-2 |

THIS DRAWING IS A CONTROLLED DOCUMENT.

| | | |
|------|------------|--------|
| DWN | S SCHLEGEL | 5/5/05 |
| CHK | C RICHARD | 5/5/05 |
| APVD | C RICHARD | 5/5/05 |

TE Connectivity

NAME: TERMINAL BLOCK, PCB MOUNT, STRAIGHT
 SIDE WIRE ENTRY, W/ INTERLOCK,
 3.5mm PITCH, HIGH TEMP

| | | | | | | | |
|-------|-----|-----------|-------|------------|-----------|---------------|---|
| SIZE | A2 | CAGE CODE | 00779 | DRAWING NO | C=1776275 | RESTRICTED TO | - |
| SCALE | 4:1 | SHEET | 1 | OF 2 | REV | P | |

CUSTOMER DRAWING

THIS DRAWING IS UNPUBLISHED. RELEASED FOR PUBLICATION
 © COPYRIGHT - By - ALL RIGHTS RESERVED.

| LOC | DIST | REVISIONS | | | | | |
|-----|------|-----------|-----|-------------|------|-----|------|
| FT | 0 | P | LTR | DESCRIPTION | DATE | DWN | APVD |
| | | - | | SEE SHEET 1 | - | - | - |

1. APPLICATION AND FEATURES:

- 1-1. STANDARD SIZES ARE 2 AND 3 WAY-BLOCKS, BUT EVERY NUMBER OF CONTACT CAN BE COMBINED, BY SIMPLY PLUGGING THEM TOGETHER AND CAN BE ORDERED AS REQUIRED.
- 1-2. WITH WIRE GUARD FOR WIRE PROTECTION SO THAT THE SCREW DOESN'T PRESS DIRECTLY ON THE WIRE.

2. TECHNICAL DATA:

- 2-1. MATERIAL:
 - 2-1-1. HOUSING: NYON 6.6, UL 94 V-0, SEE TABLE.
 - 2-1-2. METAL HOUSING: BRASS(Cu Zn) Cu, Tin plated.
 - 2-1-3. WIRE GUARD: STAINLESS STEEL.
 - 2-1-4. SCREW: STEEL GALVANIZED AND CHROMATIZED, M2.6.

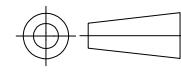
2-2. ELECTRICAL:

- 2-2-1. CURRENT RATING: RATING: 7 AMPS/WAY MAX.
- 2-2-2. CONTACT RESISTANCE: 20mohm (MAX).
- 2-2-3. INSULATION RESISTANCE: 5000Mohm/1000V.
- 2-2-4. WITHSTANDING VOLTAGE: 1500 VAC/MIN.
- 2-2-5. OPERATION VOLTAGE: 250 VAC.
- 2-2-6. WIRE RANGE: 18-26 AWG.

2.3. MECHANICAL:

- 2-3-1. TORQUE: 4 Kg.cm (MAX).
- 2-3-3. OPERATING TEMPERATURE: -55°C to +105°C.
- 2-3-4. SOLDERABILITY: 95% COVERAGE (MIN).

1776275

| | | | | | |
|---|--|--|------------|---|----------------------------|
| THIS DRAWING IS A CONTROLLED DOCUMENT. | | DWN | S SCHLEGEL | 5/5/05 | STE TE Connectivity |
| | | CHK | C RICHARD | 5/5/05 | |
| | | APVD | C RICHARD | 5/5/05 | |
| | | PRODUCT SPEC | | | |
| DIMENSIONS: mm | | TOLERANCES UNLESS OTHERWISE SPECIFIED: | | NAME | |
|  | | 0 PLC | ± - | TERMINAL BLOCK, PCB MOUNT, STRAIGHT SIDE WIRE ENTRY, W/ INTERLOCK, 3.5mm PITCH, HIGH TEMP | |
| | | 1 PLC | ± 0.3 | | |
| | | 2 PLC | ± 0.25 | | |
| | | 3 PLC | ± - | | |
| | | 4 PLC | ± - | | |
| MATERIAL | | FINISH | | SIZE | CAGE CODE |
| | | | | A2 | 00779 |
| | | | | DRAWING NO | RESTRICTED TO |
| | | | | C=1776275 | - |
| | | | | CUSTOMER DRAWING | |
| | | | | SCALE | SHEET |
| | | | | 4:1 | 2 of 2 |
| | | | | REV | P |