

172167-1 Product Details



172167-1

TE Internal Number: 172167-1



.163" Centerline, 600 V, 9.5 A max.



Product Highlights:

- Mini-Universal MATE-N-LOK Product Line
- Wire-to-Wire
- Applies To Wire/Cable
- Connector
- Glow Wire Rating = Standard Part - Not Glow Wire

Documentation & Additional Information

Product Drawings:

- [MINI UNIVERSAL MATE-N-LOK PLUG HOUSING 4Pos. \(UL94V-0\)](#) (PDF, English)

Catalog Pages/Data Sheets:

- [1-1773458-0_MINI_UNIVERSAL_MATE_N_LOK_CONNECTOR_SYST...](#) (PDF, English)
- [SOFT_SHELL_PIN_AND_SOCKET_CONNECTORS_CATALOG](#) (PDF, English)

Product Specifications:

- [Header, MATE-N-LOK*, Mini-Universal](#) (PDF, English)
- [Mini-Universal MATE-N-LOK Connector\(UL 94V-0 Grade\)](#) (PDF, English)

Application Specifications:

- [Mini-Universal MATE-N-LOK Connectors](#) (PDF, English)

Instruction Sheets:

- [Mini-Universal MATE-N-LOK Connector](#) (PDF, Japanese)

CAD Files: (CAD Format & Compression Information)

- [2D Drawing](#) (DXF, Version L)
- [3D Model](#) (IGES, Version L)
- [3D Model](#) (STEP, Version L)

Additional Information:

- [Product Line Information](#)

Related Products:

- [Tooling](#)
- [Mating Products \(13\)](#)
- [Contacts \(85\)](#)

Product Features (Please use the Product Drawing for all design activity)

Product Type Features:

- Product Line = Mini-Universal MATE-N-LOK
- Product Type = Connector
- Connector Type = Housing
- PCB Mount Retention = Without
- Sealed = No
- Strain Relief = Without
- UL File Number = E28476
- CSA File Number = LR 7189

Mechanical Attachment:

- Contact Retention = Without
- Mating Retention Type = Locking Latch
- Panel Mount Retention = Without

Electrical Characteristics:

- Operating Voltage Reference = AC/DC
- Operating Voltage (VAC) = 600
- Operating Voltage (VDC) = 600

Body Features:

- Used With = Mini-Universal MATE-N-LOK Cap Housing/PC Board Pin Headers
- Mating Retention = With
- Row-to-Row Spacing (mm [in]) = 4.14 [0.163]
- Assembly Integration Feature = Without

Contact Features:

- Contact Type = Socket
- Contact Layout = Dual Row
- Shunts/Shorting Bars = Without
- Multiple Contact Types = Without

Configuration Features:

- Number of Rows = 2
- Number of Positions = 4

Industry Standards:

- [RoHS/ELV Compliance](#) = RoHS compliant, ELV compliant
- [Lead Free Solder Processes](#) = Not relevant for lead free process
- RoHS/ELV Compliance History = Always was RoHS compliant
- VDE Tested = Yes
- Agency/Standard = UL, CSA
- UL Rating = Recognized
- CSA Rating = Certified

Environmental:

- Operating Temperature (°C [°F]) = -20 - +105 [-4 - +221]

Conditions for Usage:

- Applies To = Wire/Cable
- Glow Wire Rating = Standard Part - Not Glow Wire

Operation/Application:

- Application Use = Wire-to-Wire

Packaging Features:

- Packaging Method = Bag
- Packaging Quantity = 500

Other:

- Brand = AMP

Housing Features:

- Connector Style = Plug
- Housing Material = Nylon 66/6
- Housing Color = Natural
- Mating Alignment = With
- Mating Alignment Type = Chamfered Edges
- Centerline (mm [in]) = 4.14 [0.163]
- UL Flammability Rating = UL 94V-0

THIS DRAWING IS UNPUBLISHED. RELEASED FOR PUBLICATION
 © COPYRIGHT - By - ALL RIGHTS RESERVED.

LOC J	DIST -	REVISIONS 変更		
P	LTR	DESCRIPTION	DATE	DWN APVD
	F2	REVISED PER ECO-11-005030	11MAR11	RK HMR

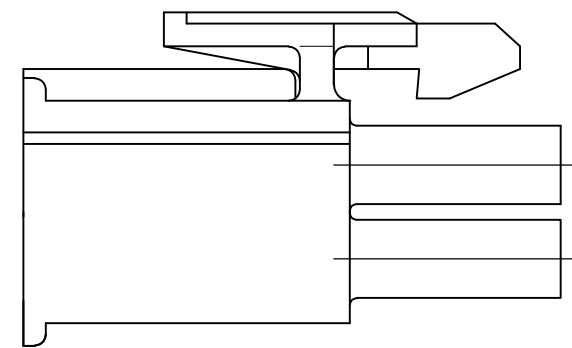
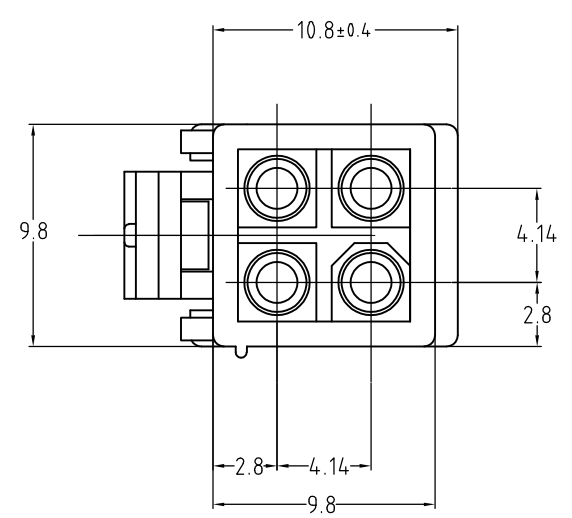
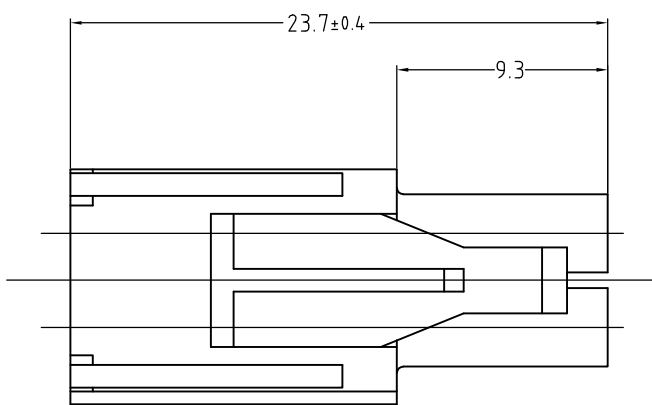
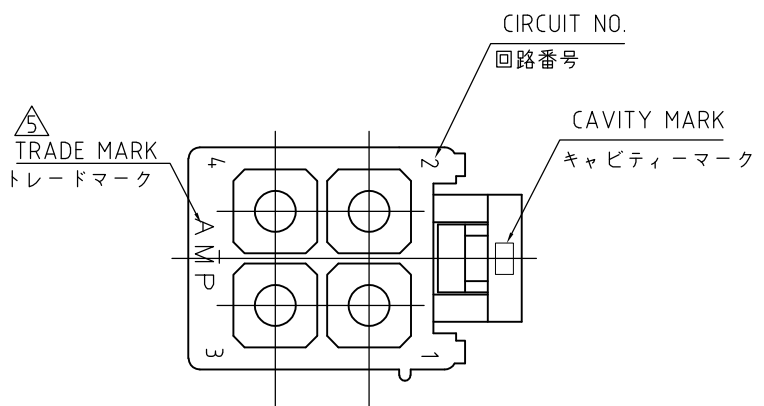



表 1 TABLE 1

TRADE MARK	MANUFACTURING PLACE
-AMP OR AMP	JAPAN
--AMP OR AMP	CHINA(PRC)

- NOTE)
1. APPLIED CONTACT P/N:170359,170360,170361,170362
 2. MATING CONN.:CAP HOUSING P/N:172159
 3. INSTRUCTION SHEET :IS-105J
 4. PRODUCT SPEC :108-5138
 5. SEE TABLE1
 6. OBSOLETE PARTS: OBSOLETE CIS STREAMLINING PER D.RENAUD/D.SINISI
- 注記)
1. 使用端子親型番は 170359,170360,170361,170362
 2. 嵌合相手キャップハウジング型番は口-172159-口
 3. 取扱説明書 :IS-105J
 4. 製品規格 :108-5138
 5. 表 1 参照

6. OBSOLETE	黒 (BLACK)	1-172167-9
	青 (BLUE)	1-6
	緑 (GREEN)	1-5
	赤 (RED)	1-2
	自然色 (NATURAL)	172167-1
	色 (COLOR)	型番 (PART NO.)

THIS DRAWING IS A CONTROLLED DOCUMENT.		DWN A.OISHI 10SEP03	 TE Connectivity	
DIMENSIONS: 単位: 耗 mm		CHK M.SHINDO 10 SEP.03		
TOLERANCES UNLESS OTHERWISE SPECIFIED: 一般公差		APVD M.SHINDO 10 SEP.03	NAME 名称	
0 PLC ± 0.3 1 PLC ± 0.3 2 PLC ± 0.3 3 PLC ± - 4 PLC ± - ANGLES ± 1°		PRODUCT SPEC 製品規格 108-5138	MINI UNIVERSAL MATE-N-LOK PLUG HOUSING 4Pos. (UL94V-0)	
MATERIAL 材料 66 NYLON UL94V-0		FINISH 仕上	APPLICATION SPEC 取付適用規格	RESTRICTED TO
		WEIGHT	SIZE A3	CAGE CODE 00779
			DRAWING NO 番号 C-172167	
		CUSTOMER DRAWING	SCALE 尺度 3:1	SHEET 1 OF 1
				REV F2