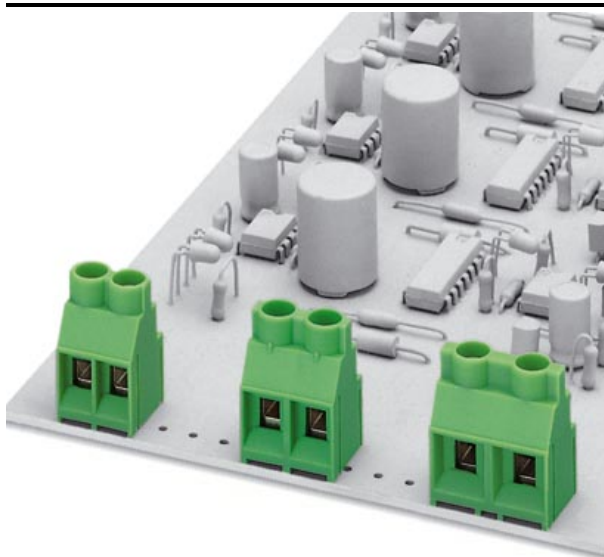


Please note that the data given here has been taken from the online catalog. For comprehensive information and data, please refer to the user documentation at <http://www.download.phoenixcontact.com>. The General Terms and Conditions of Use apply to Internet downloads.

## ► Extract from the online catalog



Printed circuit terminal block, nominal current: 32 A, rated voltage: 500 V, pitch: 6.35 mm, no. of positions: 2, mounting: Soldering, type of connection: Screw connection, connection direction from the conductor to the PCB: 0°

The illustration shows a combination as a 2-pos. version, in pitch 6.35, 7.62 and 9.5 mm

Order No.	1714955
Ord designation	MKDS 5/ 2-6,35
EAN	4017918024093
Pack	50 Pcs.
Customs tariff	85369010
Catalog page information	Page 240 (CC-2005)

## ► Technical data

### Dimensions / positions

Length	19.05 mm
Height	21.5 mm
Width	12.5 mm
Pitch	6.35 mm
Number of positions	2
Pin dimensions	0,9 x 0,9 mm
Hole diameter	1.3 mm
Screw thread	M 3
Tightening torque, min	0.5 Nm

### Technical data

Insulating material group	I
Rated surge voltage (III/3)	6 kV
Rated surge voltage (III/2)	6 kV
Rated surge voltage (II/2)	6 kV
Rated voltage (III/2)	630 V
Rated voltage (II/2)	1000 V
Connection in acc. with standard	EN-VDE
Nominal current $I_N$	32 A
Nominal voltage $U_N$	500 V
Nominal cross section	4 mm <sup>2</sup>
Maximum load current	32 A
Insulating material	PA
Inflammability class acc. to UL 94	V0
Internal cylindrical gage	A4
Stripping length	8 mm

### Connection data

Conductor cross section, rigid min.	0.2 mm <sup>2</sup>
Conductor cross section, rigid max.	6 mm <sup>2</sup>
Conductor cross section flexible min.	0.2 mm <sup>2</sup>
Conductor cross section, flexible max.	4 mm <sup>2</sup>
Conductor cross section flexible, with ferrule without plastic sleeve min.	0.25 mm <sup>2</sup>
Conductor cross section flexible, with ferrule without plastic sleeve max.	4 mm <sup>2</sup>
Conductor cross section flexible, with ferrule with plastic sleeve min.	0.25 mm <sup>2</sup>
Conductor cross section flexible, with ferrule with plastic sleeve max.	4 mm <sup>2</sup>
Conductor cross section AWG/kcmil min.	24
Conductor cross section AWG/kcmil max	10
2 conductors with same cross section, solid min.	0.2 mm <sup>2</sup>
2 conductors with same cross section, solid max.	1.5 mm <sup>2</sup>
2 conductors with same cross section, flexible, min.	0.2 mm <sup>2</sup>
2 conductors with same cross section, flexible max.	1.5 mm <sup>2</sup>
2 conductors with same cross section, flexible, ferrules without plastic sleeve min.	0.25 mm <sup>2</sup>
2 conductors with same cross section, flexible, ferrules without plastic sleeve, max.	0.75 mm <sup>2</sup>
2 conductors with same cross section, flexible, TWIN ferrules with plastic sleeve, min.	0.5 mm <sup>2</sup>
2 conductors with identical cross section, flexible TWIN ferrules with plastic sleeve, max.	2.5 mm <sup>2</sup>

---

**► Certificates**

---

**CSA**

Comments	Use Group D
Nominal voltage $U_N$	300 V
Nominal current $I_N$	10 A
AWG/kcmil	28-10

---

**CUL**

Comments	Use Group B
Nominal voltage $U_N$	300 V
Nominal current $I_N$	10 A
AWG/kcmil	30-10
Nominal voltage $U_N$	300 V
Nominal current $I_N$	30 A
AWG/kcmil	30-10

---

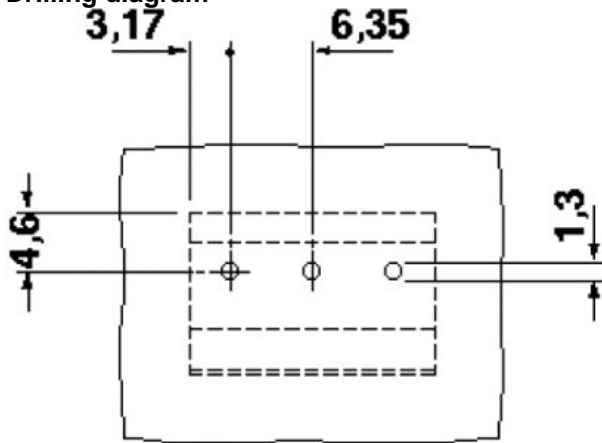
**UL**

Nominal voltage $U_N$	300 V
Nominal current $I_N$	10 A
AWG/kcmil	30-10
Nominal voltage $U_N$	300 V
Nominal current $I_N$	30 A
AWG/kcmil	30-10

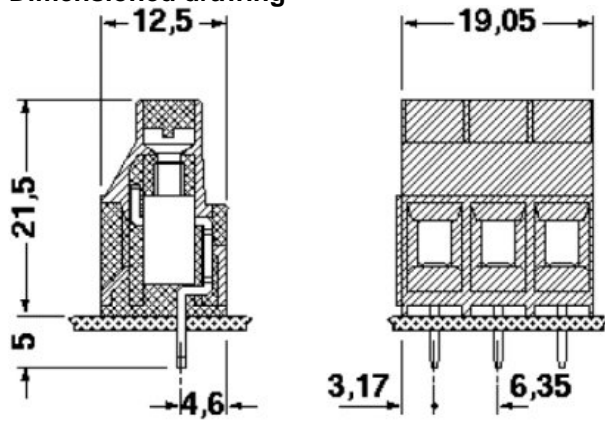
---

► Drawings

Drilling diagram



Dimensioned drawing



Approval logo





---

**► Accessories**

---

Item	Designation	Description
<b>Marking</b>		
1051993	B-STIFT	Marker pen, for manual labeling of unprinted Zack strips, smear-proof and waterproof, line thickness 0.5 mm
0804374	SK 6,2/3,8:FORTL.ZAHLEN	Marker card, printed horizontally, self-adhesive, 12 identical decades marked 1-10, 11-20 etc. up to 91-(99)100, sufficient for 120 terminal blocks
0805425	SK 6,2/3,8:UNBEDRUCKT	Marker cards, unprinted, with pitch divisions, self-adhesive, 10-section marker strips, 12 strips per card, can be labeled with M-PEN
<b>Tools</b>		
1205053	SZS 0,6X3,5	Screwdriver, bladed, matches all screw terminal blocks up to 4.0 mm <sup>2</sup> connection cross section, blade: 0.6 x 3.5 mm, without VDE approval

---

---

## ► Address

---

PHOENIX CONTACT GmbH & Co. KG  
Flachsmarktstr. 8  
32825 Blomberg  
Germany  
Phone +49 5235 3 00  
Fax +49 5235 3 1200  
<http://www.phoenixcontact.com>  
Phoenix Contact  
Technical modifications reserved;