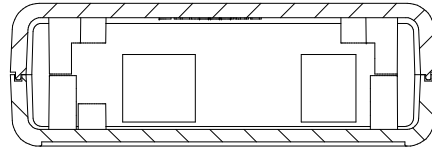
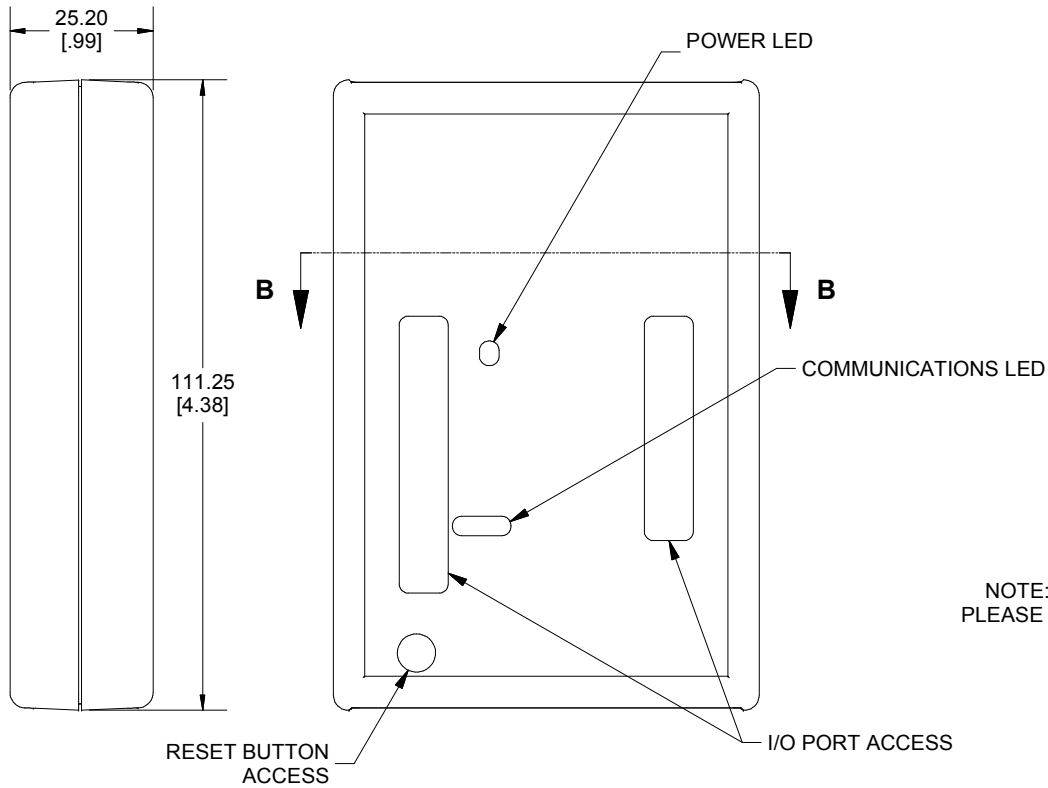


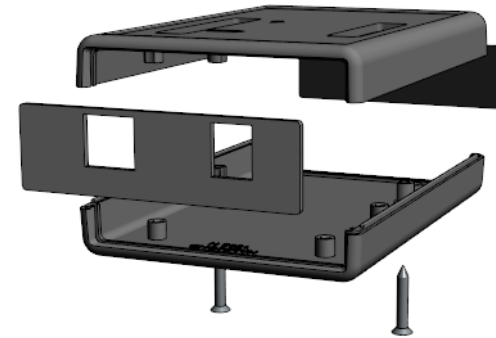
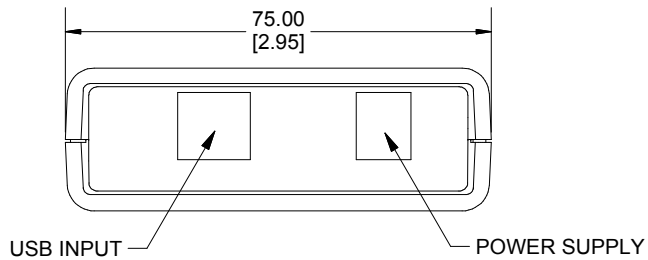
Enclosures can be Factory Modified (Milling, Drilling, Printing etc.)
 Contact Factory mjm@hammondmg.com for quotes



SECTION B-B



ASSEMBLY - VIEW FROM TOP SIDE



NOTE: 1593UNO ENCLOSURE IS BASED ON HAMMOND STANDARD 1593N
 PLEASE SEE 1593N DRAWING FOR STANDARD ENCLOSURE SPECIFICATIONS

NOTE	
Purchased assembly includes top and bottom cover, front and rear end panels, 2 cover screws, 1 black rubber foot, and 1 plastic spacer. (P.C. Board not included)	
Enclosure molded from ABS Plastic.	

PART NUMBERS	
1593HAMUNO Enclosure	
Black Enclosure	1593HAMUNOBK
Grey Enclosure	1593HAMUNOGY
Translucent Blue Enclosure	1593HAMUNOTBU

**HAMMOND
 MANUFACTURING™**
1593HAMUNO
www.hammondmg.com

Dimensions:
 mm
 [inches]