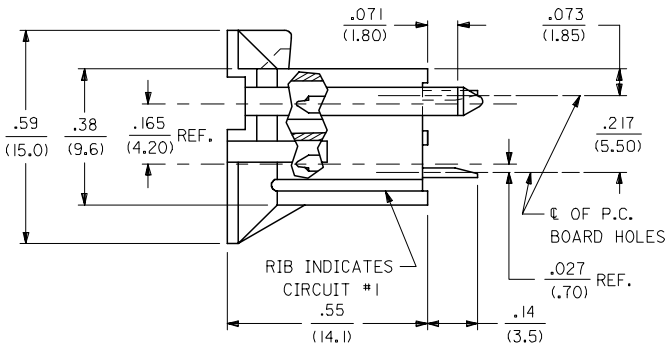
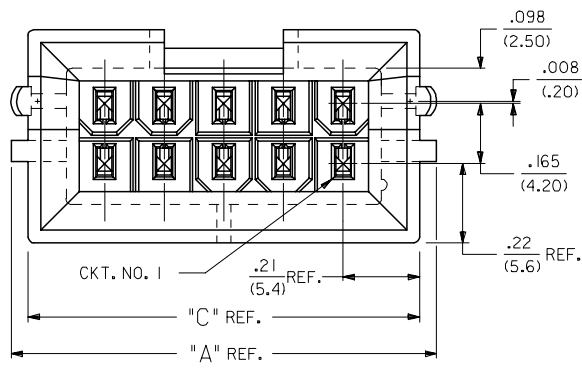
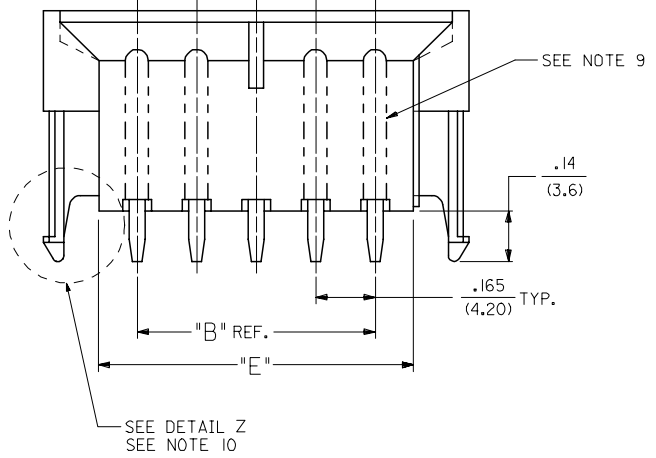
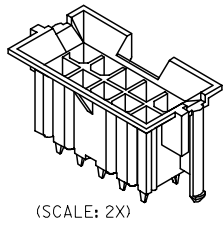


13 12 11 10 9 8 7 6 5 4 3 2 1

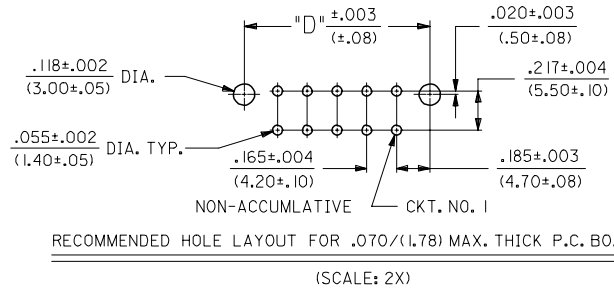
J
I
H
G
F
E
D
C
B
A



CIRCUIT SIZE	DIM. "A"	DIM. "B"	DIM. "C"	DIM. "D"	DIM. "E"
2	.520 (13.20)	—	.425 (10.80)	.370 (9.40)	.21 (5.4)
4	.685 (17.40)	.17 (4.2)	.590 (15.00)	.535 (13.60)	.38 (9.6)
6	.850 (21.60)	.33 (8.4)	.756 (19.20)	.701 (17.80)	.54 (13.8)
8	1.016 (25.80)	.50 (12.6)	.921 (23.40)	.866 (22.00)	.71 (18.0)
10	1.181 (30.00)	.66 (16.8)	1.087 (27.60)	1.031 (26.20)	.87 (22.2)
12	1.346 (34.20)	.83 (21.0)	1.252 (31.80)	1.197 (30.40)	1.04 (26.4)
14	1.512 (38.40)	.99 (25.2)	1.417 (36.00)	1.362 (34.60)	1.20 (30.6)
16	1.677 (42.60)	1.16 (29.4)	1.583 (40.20)	1.528 (38.80)	1.37 (34.8)
18	1.843 (46.80)	1.32 (33.6)	1.748 (44.40)	1.693 (43.00)	1.54 (39.0)
20	2.008 (51.00)	1.49 (37.8)	1.913 (48.60)	1.858 (47.20)	1.70 (43.2)
22	2.173 (55.20)	1.65 (42.0)	2.079 (52.80)	2.024 (51.40)	1.87 (47.4)
24	2.339 (59.40)	1.82 (46.2)	2.244 (57.00)	2.189 (55.60)	2.03 (51.6)



LEGEND:
A - 42440 - ***
BASE NUMBER
CIRCUIT SIZE (02-24)
PLATING (SEE NOTE 2.)
HOUSING MAT'L. & OPTIONS (SEE NOTE 1.)



6	P
5	P
4	P
3	P1
2	P
1	P1
	REV

Part No.	Part Description	Material	Plating
---22, ---42	42474-***2I, 5556-PBGS*P	94V-0	PHOS. BRZ. GOLD
---12, ---32	42474-***1I, 5556-PBGS*P	94V-2	PHOS. BRZ. GOLD
---22, ---42, ---23, ---43	42474-***2I, 5556-GS*P	94V-0	BRASS GOLD
---12, ---32, ---13, ---33	42474-***1I, 5556-GS*P	94V-2	BRASS GOLD
---2I, ---4I	42474-***2I, 5556-PBS*P	94V-0	PHOS. BRZ. TIN
---1I, ---3I	42474-***1I, 5556-PBS*P	94V-2	PHOS. BRZ. TIN
---2I, ---4I	42474-***2I, 5556-S*P	94V-0	BRASS TIN
---1I, ---3I	42474-***1I, 5556-S*P	94V-2	BRASS TIN
---22, ---42	A-42385-***D2, ---D4	94V-0	PHOS. BRZ. GOLD
---12, ---32	A-42385-***C2, ---C4	94V-2	PHOS. BRZ. GOLD
---22, ---42, ---23, ---43	A-42385-***B2, ---B4	94V-0	BRASS GOLD
---12, ---32, ---13, ---33	A-42385-***A2, ---A4	94V-2	BRASS GOLD
---2I, ---4I	A-42385-***D1	94V-0	PHOS. BRZ. TIN
---1I, ---3I	A-42385-***C1	94V-2	PHOS. BRZ. TIN
---2I, ---4I	A-42385-***B1	94V-0	BRASS TIN
---1I, ---3I	A-42385-***A1	94V-2	BRASS TIN

SHEET 3, NOTE #9
FIC NO: UCP2007-2479
DRAWN:LSCHMIDT 2007/04/04
CHKD:IBELL 2007/04/11
APPR:FSM TH 2007/04/16

QUALITY SYMBOLS
=0
=0

GENERAL TOLERANCES (UNLESS SPECIFIED)
mm INCH
4 PLACES ± --- ± ---
3 PLACES ± --- ± .010
2 PLACES ± 0.25 ± .015
1 PLACE ± 0.38 ± ---
ANGULAR ± 5 °

DIMENSION STYLE IN/MM
SCALE 4:1
DESIGN UNITS METRIC
THIRD ANGLE PROJECTION

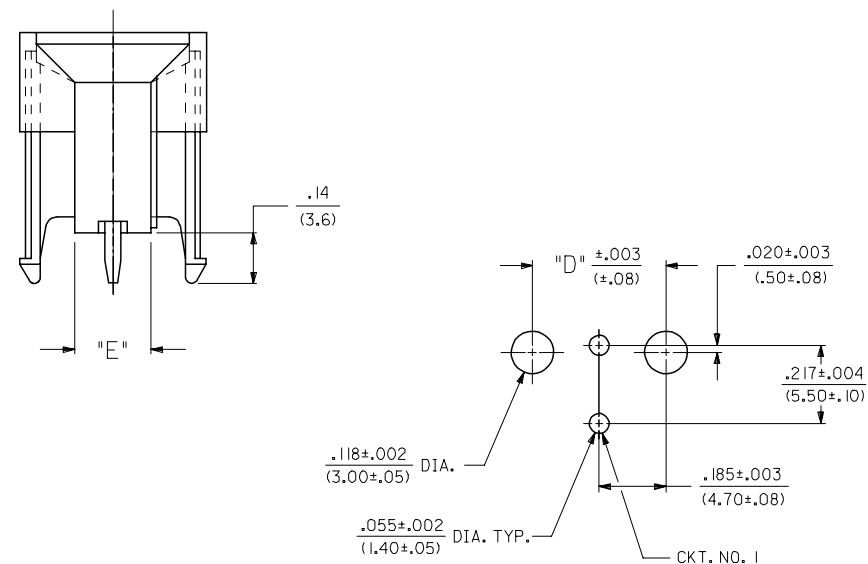
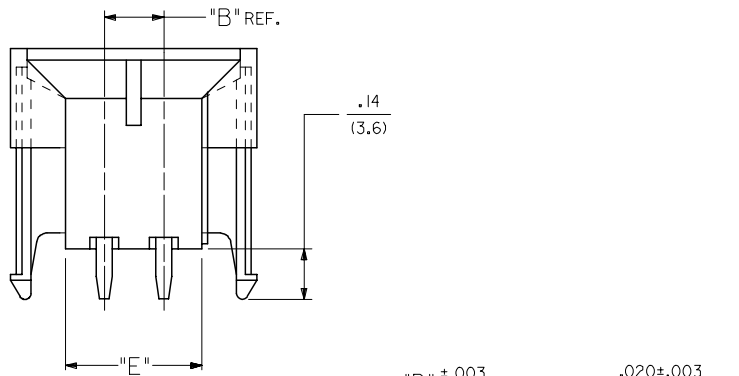
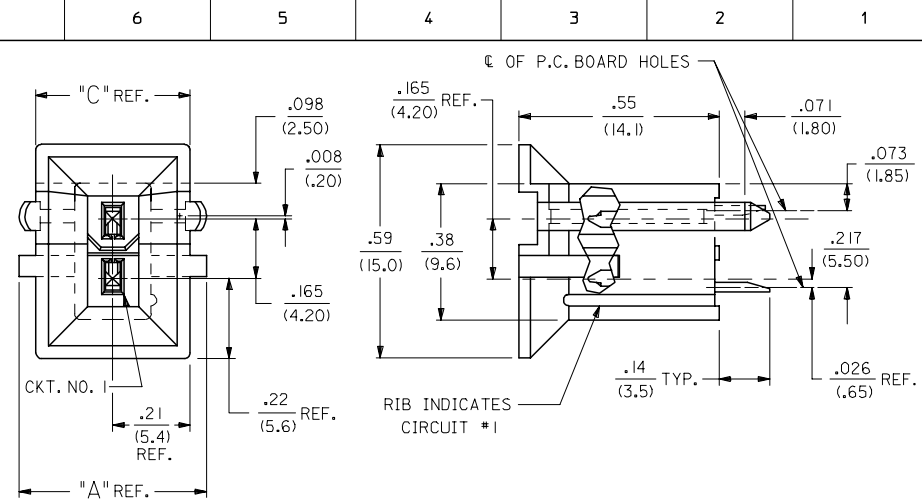
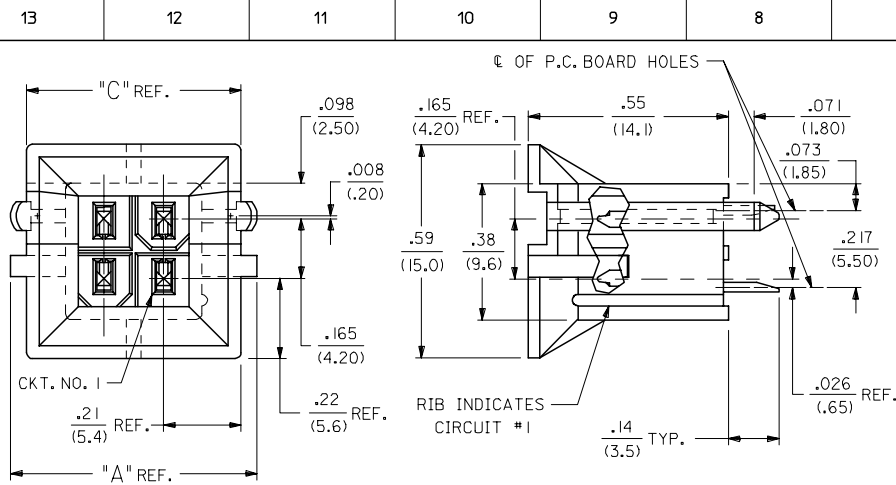
DRAWN BY: GEP DATE: 1989/04/06
CHECKED BY: RJF DATE: 1989/04/06
APPROVED BY: RAS DATE: 1989/04/06

MINI-FIT B.M.I.
VERTICAL HEADER ASSY
WITH DRAIN HOLE OPTION

MATERIAL NO. SDA-42440-****
DOCUMENT NO. SHEET NO. 1 OF 6

THIS DRAWING CONTAINS INFORMATION THAT IS PROPRIETARY TO MOLEX INCORPORATED AND SHOULD NOT BE USED WITHOUT WRITTEN PERMISSION

12 11 10 9 8 7 6 5 4 3 2 1



RECOMMENDED HOLE LAYOUT FOR .070/(1.78) MAX. THICK P.C. BOARD

RECOMMENDED HOLE LAYOUT FOR .070/(1.78) MAX. THICK P.C. BOARD

UPDATED LETTER DIMS EC NO: UCP2007-2152 DRW: NLSCHM10T 2007/03/12 CHKD: ADERR 2007/03/19 APPR: FSM TH 2007/03/19 REV DESCRIPTION	QUALITY SYMBOLS	GENERAL TOLERANCES (UNLESS SPECIFIED)	DIMENSION STYLE	SCALE	DESIGN UNITS	THIRD ANGLE PROJECTION
	$\nabla=0$ $\nabla=0$	mm INCH 4 PLACES ± --- ± --- 3 PLACES ± --- ± .010 2 PLACES ± 0.25 ± .015 1 PLACE ± 0.38 ± --- ANGULAR ± 5 °	IN/MM	4:1	METRIC	
	DRAWN BY DATE GEP 1989/04/06 CHECKED BY DATE RJF 1989/04/06 APPROVED BY DATE RAS 1989/04/06	MATERIAL NO. SEE SHEET 4		TITLE MINI-FIT B.M.I. VERTICAL HEADER ASSY WITH DRAIN HOLE OPTION	DOCUMENT NO. SDA-42440-****	SHEET NO. 2 OF 4
	DRAFT WHERE APPLICABLE MUST REMAIN WITHIN DIMENSIONS		THIS DRAWING CONTAINS INFORMATION THAT IS PROPRIETARY TO MOLEX INCORPORATED AND SHOULD NOT BE USED WITHOUT WRITTEN PERMISSION		MOLEX MOLEX INCORPORATED	

NOTES:

- 1) MATERIAL:
 - HOUSING MATERIAL AND OPTIONS:
 - 1 = NYLON 6/6, UL 94V-2, COLOR: NATURAL, WITHOUT DRAIN HOLES
 - 2 = NYLON 6/6, UL 94V-0, COLOR: NATURAL, WITHOUT DRAIN HOLES
 - 3 = NYLON 6/6, UL 94V-2, COLOR: NATURAL, WITH DRAIN HOLES
 - 4 = NYLON 6/6, UL 94V-0, COLOR: NATURAL, WITH DRAIN HOLES
 - TERMINALS: BRASS
- 2) TERMINAL PLATING:
 - S = .000100/(0.00254) MIN. BRIGHT TIN OVER .000050/(0.00127) MIN. NICKEL
 - *GS = .000030/(0.00076) MIN. SELECT GOLD AND .000100/(0.00254) MIN. SELECT MATTE TIN OVER .000050/(0.00127) MIN. NICKEL OVERALL
 - *GS3 = .000050/(0.00127) MIN. SELECT GOLD AND .000100/(0.00254) MIN. SELECT MATTE TIN OVER .000050/(0.00127) MIN. NICKEL OVERALL
 - *THE PRIMARY SHIPPING CARTON WILL BE LABELED "COMPLIANT TO RoHS DIRECTIVE 2002/95/EC AND ELV ANNEX II OF DIRECTIVE 200/53/EC"; CARTONS WITHOUT THIS LABEL MAY CONTAIN PRODUCT WITH TIN-LEAD PLATING.
- 3) PRODUCT SPECIFICATION AND PROCESSING PARAMETERS: PS-5556-002
- 4) PACKAGING: SEE CHARTS
- 5) 6-24 CIRCUIT PARTS MATE WITH MINI-FIT JR. RECEPTACLES #5557 AND HEADERS #42385 AND #42474; 2 AND 4 CIRCUIT PARTS MATE WITH 42385 AND 42474 HEADERS ONLY.
- 6) PART ALLOWS FOR UP TO .100/(2.54) MISALIGNMENT WITH MATING RECEPTACLE IN ANY DIRECTION. SEE MATING CONNECTOR DRAWINGS FOR SPECIFIC ALLOWANCES.
- 7) CONNECTOR IS NOT DESIGNED FOR CURRENT SHARING.
- 8) CONNECTOR ASSEMBLIES ARE NOT BE MATED OR UNMATED WHILE CIRCUITS ARE LIVE.
- 9) OPTIONAL RIBS MAY BE FOUND ON PARTS MANUFACTURED AFTER 08/11/1997. RIB LOCATION IS DETERMINED BY MOLD DESIGN FOR MANUFACTURING EASE AND THE LOCATION DOES NOT AFFECT PART FUNCTION OR PERFORMANCE. LOCATION OF RIBS MAY VARY ON PARTS WITHIN MAUFACTURING LOT OR SHIPMENT. THIS DRAWING SHOWS TYPICAL RIB LOCATIONS.
- 10) PARTS MANUFACTURED AFTER 8/15/1997 MAY HAVE REVISED LOCK PEG.
- 11) PART CONFORMS TO CLASS "B" REQUIREMENTS OF COSMETIC SPECIFICATION PS-45499-002.

SEE SHEET ONE FC NO: UCP2007-2479 DRAWN:LSCHMIDT 2007/04/04 CHKD:JBELL 2007/04/11 APPR:FSM TH 2007/04/16 P1	QUALITY SYMBOLS ▽=0 ▽=0	GENERAL TOLERANCES (UNLESS SPECIFIED)		DIMENSION STYLE IN/MM		SCALE ---	DESIGN UNITS METRIC	THIRD ANGLE PROJECTION		
		mm	INCH	DRAWN BY GEP	DATE 1989/04/06	TITLE MINI-FIT B.M.I. VERTICAL HEADER ASSY WITH DRAIN HOLE OPTION				
		4 PLACES ±---	±---	CHECKED BY RJF	DATE 1989/04/06	MOLEX INCORPORATED MATERIAL NO. SDA-42440-**** DOCUMENT NO. SHEET NO. 3 OF 6				
		3 PLACES ±---	±---	APPROVED BY RAS	DATE 1989/04/06					
2 PLACES ±---	±---	DRAFT WHERE APPLICABLE MUST REMAIN WITHIN DIMENSIONS		SEE CHART		THIS DRAWING CONTAINS INFORMATION THAT IS PROPRIETARY TO MOLEX INCORPORATED AND SHOULD NOT BE USED WITHOUT WRITTEN PERMISSION				
1 PLACE ±---	±---	ANGULAR ±---°								

	13	12	11	10	9	8	7	6	5	4	3	2	1				
J	PLATING: TIN (SEE NOTE 2 OPTION 'S')			PLATING: TIN (SEE NOTE 2 OPTION 'S')			PLATING: 30 M.I. SELECT GOLD (SEE NOTE 2 OPTION 'GS')			PLATING: 30 M.I. SELECT GOLD (SEE NOTE 2 OPTION 'GS')			J				
	DRAINS: WITHOUT DRAIN HOLES			DRAINS: WITHOUT DRAIN HOLES			DRAINS: WITHOUT DRAIN HOLES			DRAINS: WITHOUT DRAIN HOLES							
	PEGS: WITH PEGS			PEGS: WITH PEGS			PEGS: WITH PEGS			PEGS: WITH PEGS							
	MAT'L: 94V-2 [NATURAL]			MAT'L: 94V-0 [NATURAL]			MAT'L: 94V-2 [NATURAL]			MAT'L: 94V-0 [NATURAL]							
	PACKAGING: TRAY PER PK-42440-001			PACKAGING: TRAY PER PK-42440-001			PACKAGING: TRAY PER PK-42440-001			PACKAGING: TRAY PER PK-42440-001							
I	PART NO.	ENG NO.		CKTS	PART NO.	ENG NO.		CKTS	PART NO.	ENG NO.		CKTS	PART NO.	ENG NO.		CKTS	I
	NO EDP	A-42440-0211	-	2	NO EDP	A-42440-0221	-	2	NO EDP	A-42440-0212	-	2	NO EDP	A-42440-0222	-	2	
	15-24-6041	A-42440-0411	-	4	15-24-6042	A-42440-0421	-	4	15-28-6041	A-42440-0412	-	4	15-28-6042	A-42440-0422	-	4	
	NO EDP	A-42440-0611	-	6	NO EDP	A-42440-0621	-	6	NO EDP	A-42440-0612	-	6	NO EDP	A-42440-0622	-	6	
	NO EDP	A-42440-0811	-	8	NO EDP	A-42440-0821	-	8	NO EDP	A-42440-0812	-	8	NO EDP	A-42440-0822	-	8	
	15-24-6101	A-42440-1011	-	10	15-24-6102	A-42440-1021	-	10	15-28-6101	A-42440-1012	-	10	15-28-6102	A-42440-1022	-	10	
	NO EDP	A-42440-1211	-	12	NO EDP	A-42440-1221	-	12	NO EDP	A-42440-1212	-	12	NO EDP	A-42440-1222	-	12	
	15-24-6141	A-42440-1411	-	14	15-24-6142	A-42440-1421	-	14	15-28-6141	A-42440-1412	-	14	15-28-6142	A-42440-1422	-	14	
	15-24-6161	A-42440-1611	-	16	15-24-6162	A-42440-1621	-	16	15-28-6161	A-42440-1612	-	16	NO EDP	A-42440-1622	-	16	
H	15-24-6181	A-42440-1811	-	18	15-24-6182	A-42440-1821	-	18	15-28-6181	A-42440-1812	-	18	15-28-6182	A-42440-1822	-	18	H
	NO EDP	A-42440-2011	-	20	NO EDP	A-42440-2021	-	20	NO EDP	A-42440-2012	-	20	NO EDP	A-42440-2022	-	20	
	NO EDP	A-42440-2211	-	22	NO EDP	A-42440-2221	-	22	NO EDP	A-42440-2212	-	22	NO EDP	A-42440-2222	-	22	
	15-24-6241	A-42440-2411	-	24	15-24-6242	A-42440-2421	-	24	15-28-6241	A-42440-2412	-	24	15-28-6242	A-42440-2422	-	24	
	-	-	-	-	-	-	-	-	-	-	-	-	-	-	-	-	
	-	-	-	-	-	-	-	-	-	-	-	-	-	-	-	-	
G	PLATING: TIN (SEE NOTE 2 OPTION 'S')			PLATING: TIN (SEE NOTE 2 OPTION 'S')			PLATING: 30 M.I. SELECT GOLD (SEE NOTE 2 OPTION 'GS')			PLATING: 30 M.I. SELECT GOLD (SEE NOTE 2 OPTION 'GS')			G				
	DRAINS: WITH DRAIN HOLES			DRAINS: WITH DRAIN HOLES			DRAINS: WITH DRAIN HOLES			DRAINS: WITH DRAIN HOLES							
	PEGS: WITH PEGS			PEGS: WITH PEGS			PEGS: WITH PEGS			PEGS: WITH PEGS							
	MAT'L: 94V-2 [NATURAL]			MAT'L: 94V-0 [NATURAL]			MAT'L: 94V-2 [NATURAL]			MAT'L: 94V-0 [NATURAL]							
	PACKAGING: TRAY PER PK-42440-001			PACKAGING: TRAY PER PK-42440-001			PACKAGING: TRAY PER PK-42440-001			PACKAGING: TRAY PER PK-42440-001							
F	PART NO.	ENG NO.		CKTS	PART NO.	ENG NO.		CKTS	PART NO.	ENG NO.		CKTS	PART NO.	ENG NO.		CKTS	F
	NO EDP	A-42440-0231	-	2	NO EDP	A-42440-0241	-	2	NO EDP	A-42440-0232	-	2	NO EDP	A-42440-0242	-	2	
	15-24-6046	A-42440-0431	-	4	15-24-6047	A-42440-0441	-	4	15-28-6046	A-42440-0432	-	4	15-28-6047	A-42440-0442	-	4	
	15-24-6066	A-42440-0631	-	6	NO EDP	A-42440-0641	-	6	15-28-6066	A-42440-0632	-	6	NO EDP	A-42440-0642	-	6	
	NO EDP	A-42440-0831	-	8	NO EDP	A-42440-0841	-	8	NO EDP	A-42440-0832	-	8	NO EDP	A-42440-0842	-	8	
	15-24-6106	A-42440-1031	-	10	15-24-6107	A-42440-1041	-	10	15-28-6106	A-42440-1032	-	10	15-28-6107	A-42440-1042	-	10	
	NO EDP	A-42440-1231	-	12	NO EDP	A-42440-1241	-	12	NO EDP	A-42440-1232	-	12	NO EDP	A-42440-1242	-	12	
E	15-24-6146	A-42440-1431	-	14	15-24-6147	A-42440-1441	-	14	15-28-6146	A-42440-1432	-	14	15-28-6147	A-42440-1442	-	14	E
	NO EDP	A-42440-1631	-	16	NO EDP	A-42440-1641	-	16	NO EDP	A-42440-1632	-	16	NO EDP	A-42440-1642	-	16	
	15-24-6186	A-42440-1831	-	18	15-24-6187	A-42440-1841	-	18	15-28-6186	A-42440-1832	-	18	15-28-6187	A-42440-1842	-	18	
	NO EDP	A-42440-2031	-	20	NO EDP	A-42440-2041	-	20	NO EDP	A-42440-2032	-	20	NO EDP	A-42440-2042	-	20	
	NO EDP	A-42440-2231	-	22	NO EDP	A-42440-2241	-	22	NO EDP	A-42440-2232	-	22	NO EDP	A-42440-2242	-	22	
	15-24-6246	A-42440-2431	-	24	15-24-6247	A-42440-2441	-	24	15-28-6246	A-42440-2432	-	24	15-28-6247	A-42440-2442	-	24	
D	-	-	-	-	-	-	-	-	-	-	-	-	-	-	-	-	D
	-	-	-	-	-	-	-	-	-	-	-	-	-	-	-	-	
C	C																
B	B																
A	A																
STANDARDIZE NOTES E.C. NO: UCP2007-2152 2007/03/12 DRAWN:LSCHH1DT CHKD:ADERR 2007/03/19 APPR:FSM TH 2007/03/19 REV DESCRIPTION				QUALITY SYMBOLS ▽=0 ▽=0		GENERAL TOLERANCES (UNLESS SPECIFIED) mm INCH 4 PLACES ± --- ± --- 3 PLACES ± --- ± --- 2 PLACES ± --- ± --- 1 PLACE ± --- ± --- ANGULAR ± ---°			DIMENSION STYLE IN/MM DRAWN BY DATE GEP 1995/03/03 CHECKED BY DATE RJF 1995/03/03 APPROVED BY DATE RJF 1995/03/03		SCALE --- DESIGN UNITS METRIC THIRD ANGLE PROJECTION		MINI-FIT B.M.I. VERTICAL HEADER ASSY WITH DRAIN HOLE OPTION MOLEX INCORPORATED			MATERIAL NO. DOCUMENT NO. SDA-42440-**** SHEET NO. 4 OF 6	
DRAFT WHERE APPLICABLE MUST REMAIN WITHIN DIMENSIONS				SEE CHART		THIS DRAWING CONTAINS INFORMATION THAT IS PROPRIETARY TO MOLEX INCORPORATED AND SHOULD NOT BE USED WITHOUT WRITTEN PERMISSION											
13	12	11	10	9	8	7	6	5	4	3	2	1					