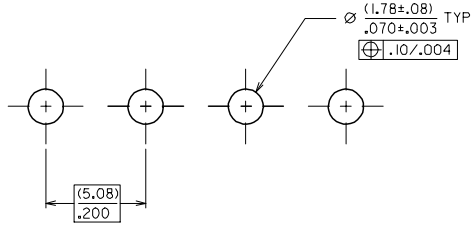
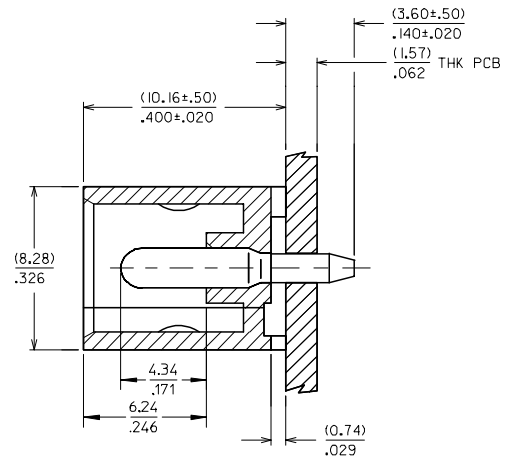
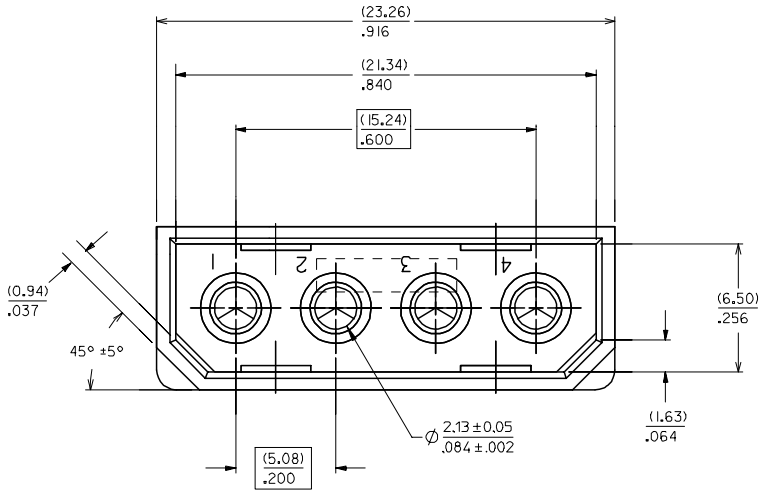


MAT'L NO.	ENG NO.
15-24-4449	A-8981-4V-LF



RECOMMENDED P C B HOLE LAYOUT

NOTES:

- PART TO MATE WITH HOUSING 8981-4P AND TERMINAL 8980-3*.
- PRODUCT SPEC. PS - 8981-4V* APPLIES

MATERIAL :

HOUSING : NYLON 6/6. UNFILLED, 94V-2, COLOR - BEIGE.
 TERMINAL : PHOSPHOR BRONZE, C51000
 PLATING : POSTPLATE (0.00254)/.000100 MIN. TIN OVER (0.00127)/.000050 MIN. NICKEL OVERALL

OBS TIN/LEAD P/N	EC NO: S2006-0763	2006/03/31
	DRWN:MLONG	2006/03/31
	CHKD:NAGESHKN	2006/03/31
	APPR:PTLIM	2006/04/03

REV	DESCRIPTION
1	QUALITY SYMBOLS
	▽=0
	∇=0

GENERAL TOLERANCES (UNLESS SPECIFIED)	
mm	INCH
4 PLACES ± ---	± ---
3 PLACES ± ---	± .008
2 PLACES ± 0.20	± ---
1 PLACE ± ---	± ---
ANGULAR ± 3 °	
DRAFT WHERE APPLICABLE MUST REMAIN WITHIN DIMENSIONS	

DIMENSION STYLE	
MM/IN	
DRAWN BY	DATE
TAY	1989/05/26
CHECKED BY	DATE
NK	1989/05/26
APPROVED BY	DATE
AB	1989/05/26
MATERIAL NO.	
15-24-4449	

SCALE	DESIGN UNITS	THIRD ANGLE PROJECTION
NTS	METRIC	
TITLE		
HEADER, 4 CKTS VERTICAL MOUNT		
MOLEX INCORPORATED		
MATERIAL NO.	DOCUMENT NO.	SHEET NO.
15-24-4449	SDA-8981-4V	1 OF 1
SIZE A3 THIS DRAWING CONTAINS INFORMATION THAT IS PROPRIETARY TO MOLEX INCORPORATED AND SHOULD NOT BE USED WITHOUT WRITTEN PERMISSION		